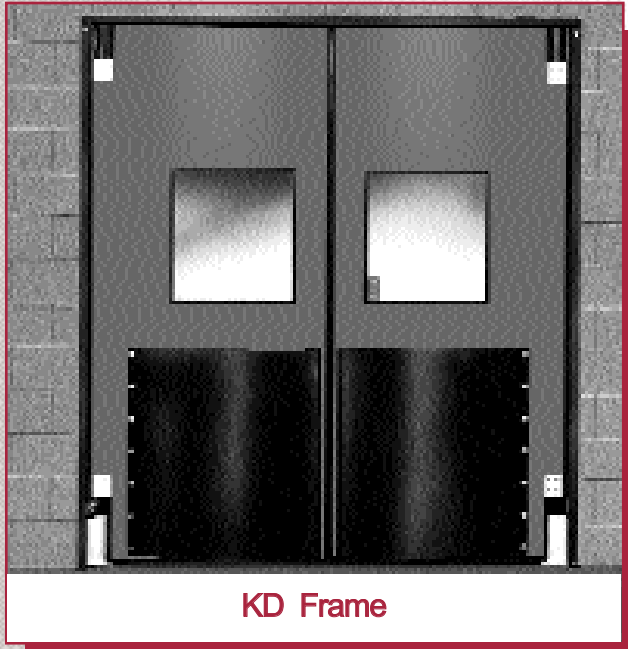


Door Accessories

KD Frames & Limiting Posts

Food Processing, Industrial, Institutional, Pharmaceutical, Postal, Retail, Supermarket and Warehouse applications



KD Frame

KD Structural Steel Door Frame

- Custom made to fit your door opening •
- Quick and easy installation •

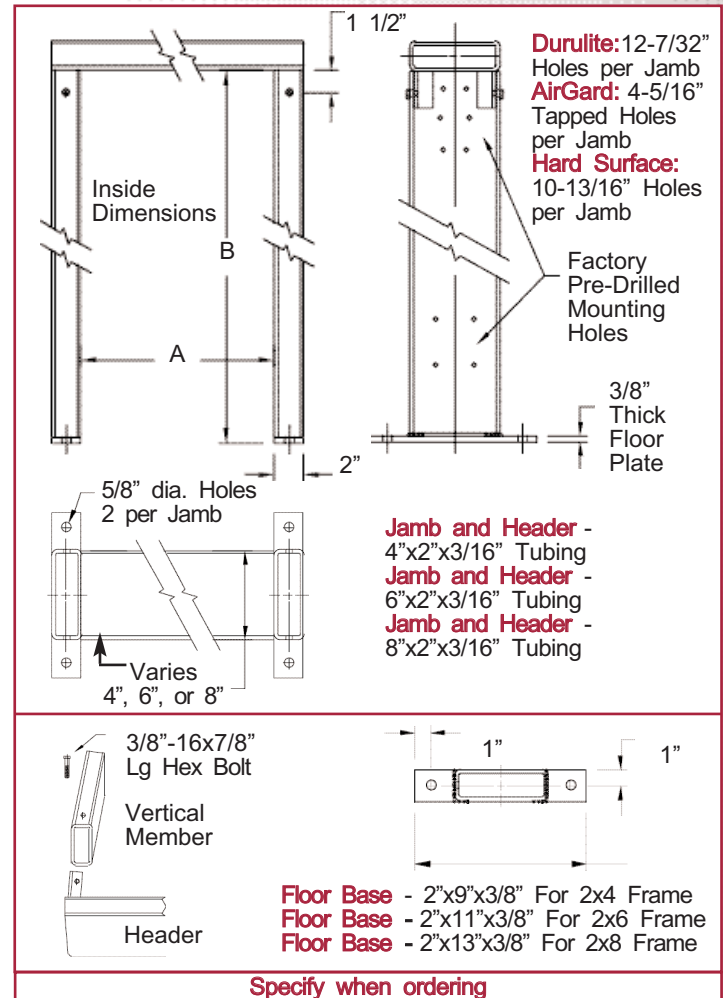
Our Structural Steel Door Frames are custom manufactured of tubular steel to fit your particular door opening. They are shipped knocked-down in three easy to assemble pieces. The verticle members are placed on the floor, the header section slides into position, and is mechanically fastened to the verticle sections with four bolts. The frame is raised into the rough opening and simply anchored to the floor (two anchors per side) and the jamb. Chase Structural Steel Frames are **available for standard or industrial applications** and are pre-drilled for any of our hardware configurations (Durulite® Doors, Service Doors, or Flexible Doors) so installation is quick and easy. Just supply us with your finished opening height and width. Now you can get quality doors and frames from one source.

- Tubular steel Knocked Down design
- 2" x 4" x 3/16" steel tubing for standard applications
- 2" x 6" x 3/16" steel tubing for industrial applications
- 2" x 8" x 3/16" steel tubing for industrial applications
- Pre-drilled for quick and easy installation
- Custom manufactured to size
- Standard color is powder coated gray, optional is powder coated black, beige or white

Available Sizes for Chase KD Frames

Frame Model #	Opening Width (A)	Opening Height (B)
SD-3678	36"	78"
SD-4278	42"	78"
SD-4878	48"	78"
SD-3684	36"	84"
SD-4284	42"	84"
SD-4884	48"	84"
DD-4884	48"	84"
DD-5484	54"	84"
DD-6084	60"	84"
DD-7284	72"	84"
DD-8484	84"	84"
DD-6096	60"	96"
DD-7296	72"	96"
DD-8496	84"	96"
DD-9696	96"	96"
DD-72108	72"	108"
DD-84108	84"	108"
DD-96108	96"	108"
DD-84120	84"	120"
DD-96120	96"	120"

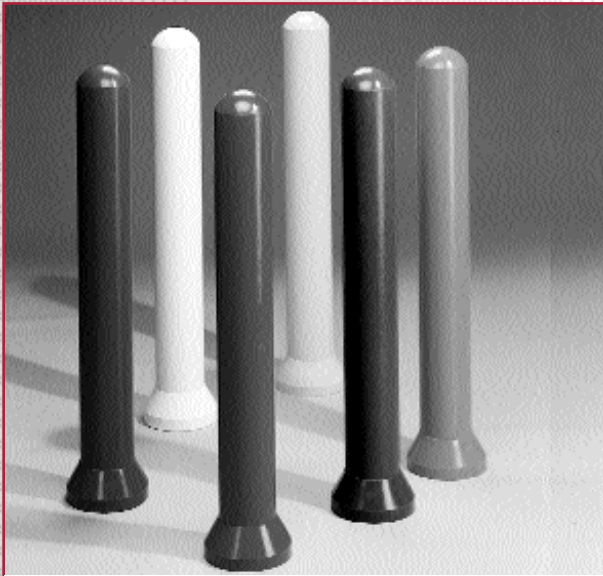
To allow the steel frame to fit into the rough opening, opening must be 4" wider (+1/8"-0") and 2" higher (+1/16"-0") than the finished opening size or the inside dimension of the frame.



Door Accessories

KD Frames & Limiting Posts

Food Processing, Industrial, Institutional, Pharmaceutical, Postal, Retail, Supermarket and Warehouse applications



Limiting Posts

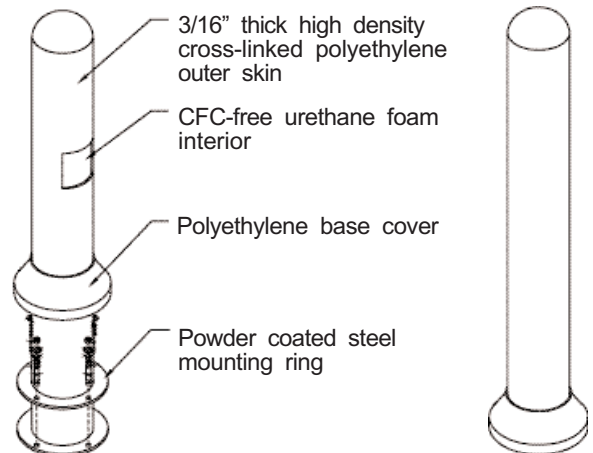
Limiting Posts

- Easy to install or replace
- Will not corrode
- Never needs painting
- Highly visible

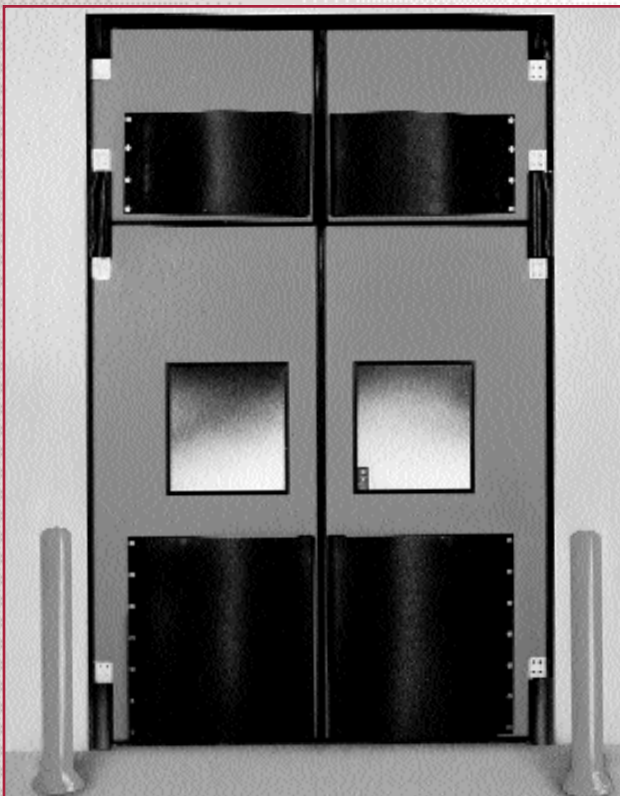
Chase Limiting Posts protect your doors from unnecessary and costly damage. They are designed to extend the life of any double-acting traffic door by limiting the travel of the door panel, therefore preventing damage caused when the doors are overextended or "wrapped around the frame".

- Available in two heights, 42" or 19"
- Rotationally molded high-density, cross-linked polyethylene construction gives a durable and attractive appearance
- Non-CFC urethane foam core
- A 42" high limiting post has an outer wall thickness of .250", a diameter of 5.25" and a 7.75 diameter bottom flange
- A 19" high limiting post has an outer wall thickness of .375", a diameter of 3" and a 6" diameter bottom flange
- The 42" high limiting post has a powder-coated steel ring that fits over the bottom flange with 3/8" x 3" concrete wedge anchors are used to fasten to concrete floors
- A molded polyethylene base cover is provided in the matching color to create a finished appearance

Limiting Posts



Available colors: Forest Green, Jade, Cadet Blue, Metallic Gray, Cloud Gray, Chocolate Brown, Red, Royal Blue, Medium Brown, Beige, Burgundy, Black, Yellow



Limiting Posts used in an interior institutional application

Although Limiting Posts are durable and impact resistant, they are designed expressly for use as door limiting posts. They should not be used as protective devices where they would be subject to impact by vehicle-ridden or forklift traffic which could conceivably damage the post by bending it over.