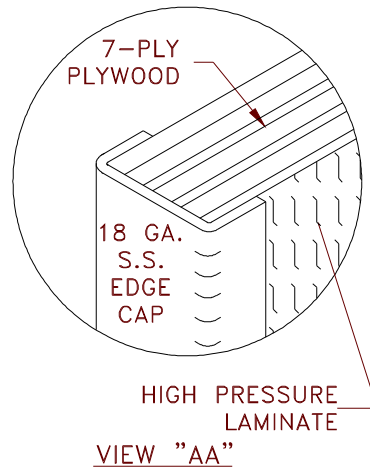


OPTIONAL "E" SERIES HINGE



VIEW "AA"

SPECIFICATIONS:

DOOR SHOWN AS SOLID CORE STYLE SERVICE DOOR, DOUBLE ACTING, SHALL BE MODEL SC-3002 DOOR AS MANUFACTURED BY CHASE INDUSTRIES, INC., CINCINNATI, OHIO, TO FIT DOOR OPENING _____ WIDE BY _____ HIGH.

DOOR SHALL BE CONSTRUCTED OF 3/4" THICK 7-PLY PLYWOOD CORE WITH HIGH PRESSURE LAMINATE, BOTH SIDES. THE PERIMETER EDGES TO BE 18 GAUGE STAINLESS STEEL EDGE TRIM.

SPECIFY COLOR AND NUMBER OF LAMINATE:

COMPLETE WITH CHASE GRAVITY-OPERATED HINGING SYSTEM WITH HARDENED STEEL CAM AND ROLLER. BOTTOM HINGE PIN TO BE 1/2" DIAMETER STEEL MOUNTED TO 3/16" THICK STEEL ANGLE. TOP AND BOTTOM HINGES SHALL MOUNT DIRECTLY THROUGH DOOR BODY.

OPTIONAL "E" SERIES HINGE

SPECIFY RIGHT OR LEFT HAND SWING

ACRYLIC VISION PANEL TO BE 1/4" TH. x 9" x 14" SET IN BLACK RUBBER MOLDING (STD).

INCLUDE OPTIONS, AS INDICATED BELOW:

- 3-3/4"x8-3/4" HIGH ALUM. JAMB GUARD
- 3-3/4"x12" HIGH ALUMINUM JAMB GUARD
- 3-3/4"x18" HIGH ALUMINUM JAMB GUARD

IMPACT PLATE (BOTH SIDES): YES NO
 STAINLESS STEEL IMPACT PLATES (STANDARD)
 STAINLESS STEEL/GALVANIZED IMPACT PLATES
 GALVANIZED IMPACT PLATES
 PLASTIC IMPACT PLATES

(SPECIFY COLOR): FOREST GREEN JADE
 CADET BLUE WHITE GRAY CLOUD GRAY
 CHOCOLATE RED MEDIUM BROWN NAVY
 ROYAL BLUE BLACK BEIGE BURGUNDY

IMPACT PLATE HEIGHT:
 12" 18" 24" 36" 48"

BUMPER OPTIONS (BOTH SIDES): YES NO
 STANDARD TEARDROP CROSS-LINKED POLYETHYLENE (SPECIFY COLOR) _____ (AND HEIGHT) _____
 PVC STRIP (SPECIFY COLOR) _____ ALUM. STRIP (SPECIFY LOCATION) _____

MODEL # SC-3002, SOLID CORE STYLE, SINGLE PANEL RETAIL SERVICE DOOR

©COPYRIGHT 2000 CHASE INDUSTRIES, INC. SPECIFICATIONS SUBJECT TO CHANGE WITHOUT NOTICE.
 1 800-543-4455
 www.chasedoors.com

CUSTOMER INFORMATION:

Chase Doors
 World's Leading Manufacturer Of Traffic Doors
 Cincinnati Ohio, and Redmond Oregon
 Phone Toll Free: 1-800-543-4455

DATE: 6/9/00 CHASE APPROVAL

FORM # SD4023

REV. B