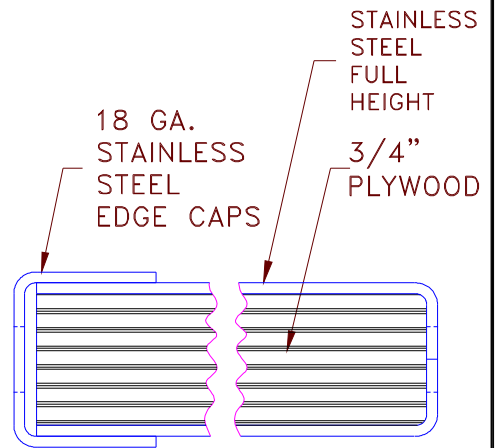


OPTIONAL "E" SERIES HINGE



SECTION "AA" OF DOOR

**SPECIFICATIONS:**

DOOR SHOWN AS SOLID CORE STYLE SERVICE DOOR, DOUBLE ACTING, SHALL BE MODEL SC-3002SS DOOR AS MANUFACTURED BY CHASE INDUSTRIES, INC., CINCINNATI, OHIO, TO FIT DOOR OPENING \_\_\_\_\_ WIDE BY \_\_\_\_\_ HIGH.

DOOR SHALL BE CONSTRUCTED OF 3/4" THICK 7-PLY PLYWOOD CORE WITH 18 GAUGE STAINLESS STEEL FULL HEIGHT, BOTH SIDES. THE BACK, TOP, AND BOTTOM EDGES TO BE 18 GAUGE STAINLESS STEEL EDGE CAPS.

COMPLETE WITH CHASE GRAVITY-OPERATED HINGING SYSTEM WITH HARDENED STEEL CAM AND ROLLER. BOTTOM HINGE PIN TO BE 1/2" DIAMETER STEEL MOUNTED TO 3/16" THICK STEEL ANGLE. TOP AND BOTTOM HINGES SHALL MOUNT DIRECTLY THROUGH DOOR BODY.

- OPTIONAL "E" SERIES HINGE
- SPECIFY  RIGHT OR  LEFT HAND SWING

ACRYLIC VISION PANEL TO BE 1/4" TH. x 9" x 14" SET IN BLACK RUBBER MOLDING (STD).

- INCLUDE OPTIONS, AS INDICATED BELOW:
- 3-3/4"x8-3/4" HIGH ALUM. JAMB GUARD
  - 3-3/4"x12" HIGH ALUMINUM JAMB GUARD
  - 3-3/4"x18" HIGH ALUMINUM JAMB GUARD

- BUMPER OPTIONS (BOTH SIDES):  YES  NO
- STANDARD TEARDROP CROSS-LINKED POLYETHYLENE (SPECIFY COLOR) \_\_\_\_\_ (AND HEIGHT) \_\_\_\_\_
  - PVC STRIP (SPECIFY COLOR) \_\_\_\_\_  ALUM. STRIP (SPECIFY LOCATION) \_\_\_\_\_

MODEL # SC-3002SS, SINGLE PANEL SOLID CORE STYLE RETAIL SERVICE DOOR

©COPYRIGHT 2000 CHASE INDUSTRIES, INC. SPECIFICATIONS SUBJECT TO CHANGE WITHOUT NOTICE. 1 800-543-4455 www.chasedoors.com

CUSTOMER INFORMATION:



**Chase Doors**

World's Leading Manufacturer Of Traffic Doors  
Cincinnati Ohio, and Redmond Oregon  
Phone Toll Free: 1-800-543-4455

DATE: 6/27/00 CHASE APPROVAL

FORM # SD4085

REV. A