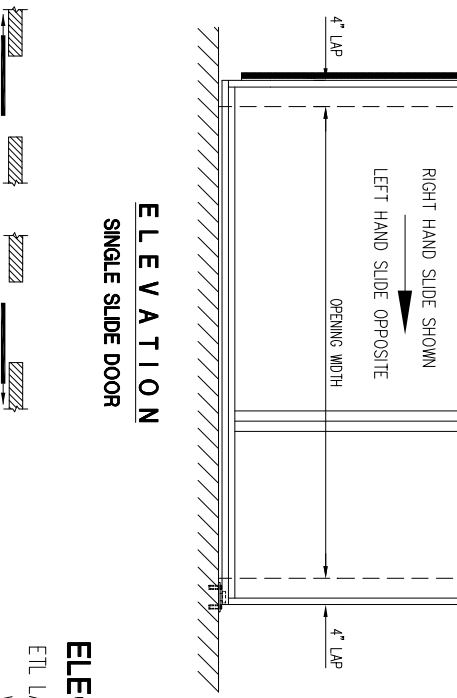
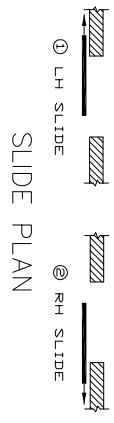


NOTES

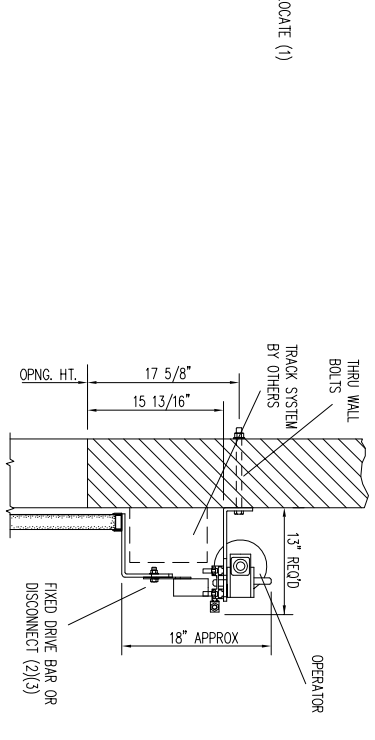
- (1) CONTROL BOX MAY BE LOCATED AT EYE LEVEL FOR ACCESSIBILITY.
- (2) FIXED DRIVE BAR FURNISHED FOR F1900-PLC OPERATORS.
- (3) MECHANICAL DISCONNECT FURNISHED FOR 1900-PLC OPERATORS.



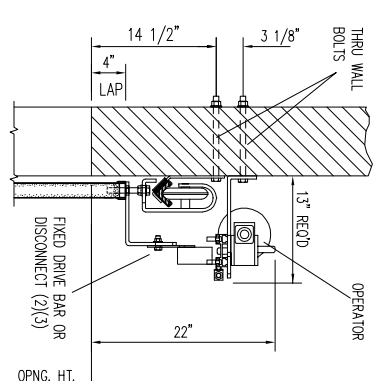
**ELEVATION
SINGLE SLIDE DOOR**



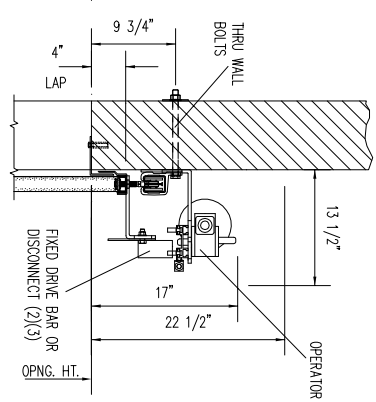
ELECTRIC AUTOMATION KITS
 ETL LABELED KITS - SAINO MODEL F1900-PLC
 with Battery Backup Closing System
 SERVICE DOOR KITS - SAINO MODEL 1900-PLC



HEAD SECTION 'C'
DOOR AND HDWE. BY OTHERS



HEAD SECTION 'A'
V-TRACK



HEAD SECTION 'B'
BOX TRACK

TAG MARK	DOOR TYPE	OPENING		SLIDE PLAN	WALL THICKNESS	CLOSER / OPERATOR	NEMA	BATTERY BACKUP	REMARKS
		WIDTH	HEIGHT						

Tel: (800) 543-4455
 www.chasedoors.com
 FAX: (800) 978-6570

JOB	CUSTOMER NO:	NO. PRINTS	FOR	DATE	REVISED
SOLD TO	CHASE ORDER NO:				
	DRAWN BY:				
	SHEET ___ OF ___				