

2

1

- 1) INSTALL DOORS IN OPENING.
- 2) ORIENTATION OF HOLD OPEN BRACKET. SEE FIGURE A. EDGE OF BRACKET WILL BE FLUSH WITH RADIUS OF JAMB EDGE.
- 3) SWING DOOR TO THE OPEN POSITION, LOWER HEIGHT OF BRACKET, UNTIL THE FLAT AREA, BEHIND THE HOLDING ANGLE, SITS FLAT ON THE TOP OF THE DOOR PANEL. SEE FIGURE B.

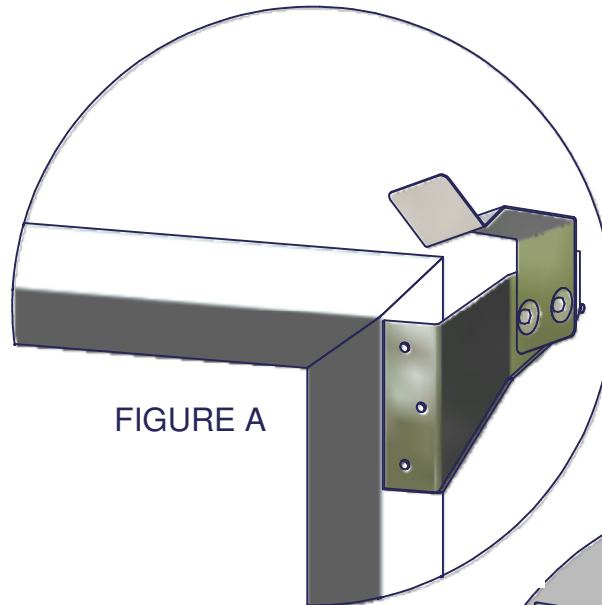


FIGURE A

NOTE: BRACKETS ARE SUPPLIED IN RIGHT HAND AND LEFT HAND VERSIONS. WHEN MOUNTED CORRECTLY, THE BRACKET WILL ANGLE AWAY FROM THE OPENING.

- 4) MARK MOUNTING HOLE LOCATIONS. RELEASE DOOR TO CLOSED POSITION. USING THE SUPPLIED TEK SCREWS, MOUNT THE HOLD OPEN DEVICE TO THE FACE OF THE JAMB.
- 5) HEIGHT ADJUSTMENTS MAY BE NEEDED, TO GAIN OPTIMAL HOLDING.

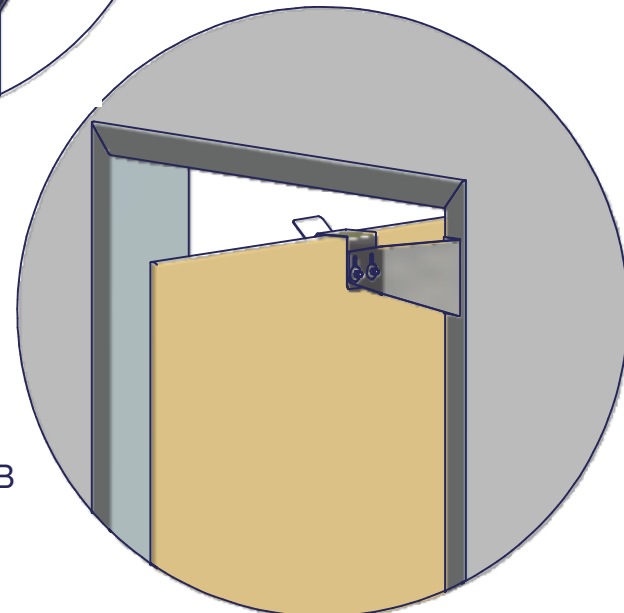


FIGURE B

NOTES:

1. All dimensions are in inches unless otherwise noted.
2. Deburr and break all sharp edges.

UNLESS OTHERWISE SPECIFIED				MATERIAL:	
TOLERANCE MACHINED SURFACES					
RADII	FRACTIONS	DECIMALS	ANGLES	FINISH:	
	$\pm \frac{1}{64}$	.XX $\pm .015$ .XXX $\pm .005$	$\pm 1^\circ$		
THIS DRAWING FURNISHED FOR ENGINEERING INFORMATION AND REFERENCE ONLY AND DOES NOT CONVEY ANY REPRODUCTION OR MANUFACTURING RIGHTS				SUPERSEDES	INTERCHANGEABLE
USED ON				SUPERSEDED BY	WEIGHT
				INTERCHANGEABLE	



NAME:		JAMB MOUNTED HOLD OPEN DEVICE	
DR:	BC	SCALE:	NTS
CK:		PART NO.:	JAMB MOUNTED HOLD OPEN INSTRUCTIONS
DATE:	4/9/2009	A	JMHOD
			REV.

2

1