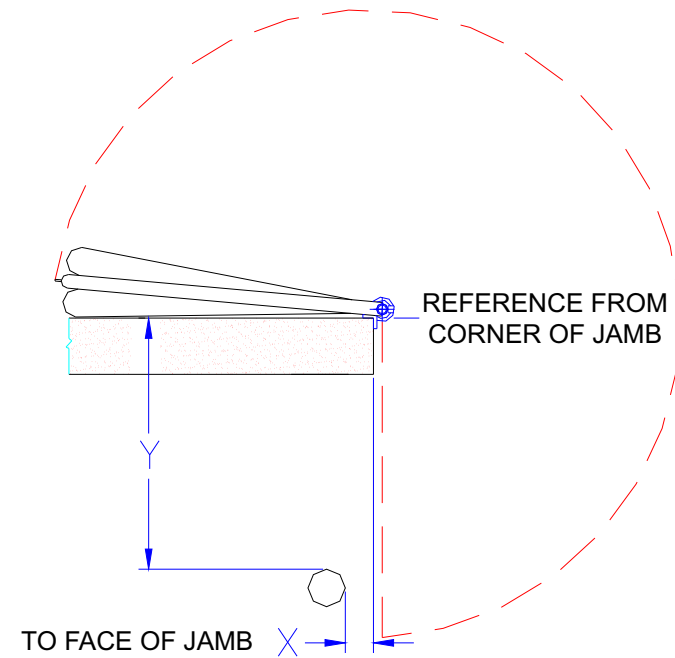


## Durulite Limiting Post Location Chart

### 180° X 90° Hardware

Nominal Door Width	Standard Bumper		Industrial Bumper	
	X Dim	Y Dim	X Dim	Y Dim
24"	3"	15"	4"	15"
27"	3"	18"	4"	18"
30"	3"	21"	4"	21"
32"	3"	23"	4"	23"
34"	3"	25"	4"	25"
36"	3"	27"	4"	27"
39-1/2"	3"	30-1/2"	4"	30-1/2"
42"	_____	_____	4"	33"
48"	_____	_____	4"	39"
54"	_____	_____	4"	45"
60"	_____	_____	4"	51"



## Durulite Limiting Post Location Chart

### 90° X 90° Hardware

Nominal Door Width	Standard Bumper		Industrial Bumper	
	X Dim	Y Dim	X Dim	Y Dim
24"	3"	16"	4"	16"
27"	3"	19"	4"	19"
30"	3"	22"	4"	22"
32"	3"	24"	4"	24"
34"	3"	26"	4"	26"
36"	3"	28"	4"	28"
39-1/2"	3"	31-1/2"	4"	31-1/2"
42"	_____	_____	4"	34"
48"	_____	_____	4"	40"
54"	_____	_____	4"	46"
60"	_____	_____	4"	52"

