

STEP 1

Before beginning installation measure the mounting brackets and strips. Verify the dimensions and quantities of hardware with enclosed packing list. Verify the correct number of strips. See **"Determining Quantity of Strips"** to calculate the number of strips for your opening.

NOTE:

Rear mounting bracket "A" must be installed in the jamb header, or on the wall, prior to attaching the vinyl strips.

STEP 2

After unpacking the mounting bar, separate the front mounting bracket "B" (See Figure 3) from the rear mounting bracket "A" (See Figure 3). Place mounting bracket "A" into the appropriate position (wall for wall mount, bottom inside of header for in jamb mount) and secure using the supplied #10 X 1" Pan Head Mounting Screws. To maintain proper distance from finished floor, the bottom of the mounting bracket should mount 1/2" higher than strip length, i.e.: strip is 90", bottom of the mounting bracket should be 90 1/2" from finished floor (See Figure 1).

IMPORTANT READ BEFORE PROCEEDING:

PVC Strips have a natural curve across the width of the material, as seen Figure 2. In order to produce an adequate seal in the door, you must place the strips as shown in the **"CORRECT"** configuration below.

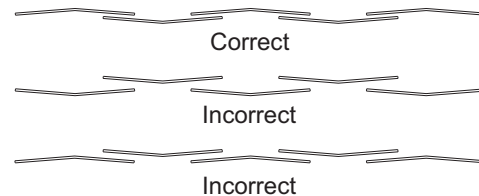


Figure 2

STEP 3 (Strip Installation)

To install strips, start at one end of mounting bracket "A", slip vinyl strips over threaded pins (See Figure 3), leaving enough space between strips to allow for the desired overlap (See Figure 4, Page 2). Continue placing the strips at the proper spacing through the entire width of the Rear Mounting Bracket "A" while paying close attention to the curve as seen in Figure 2.

Continued on Page 2

CAUTION: Strips should not touch floor. See Drawing below.

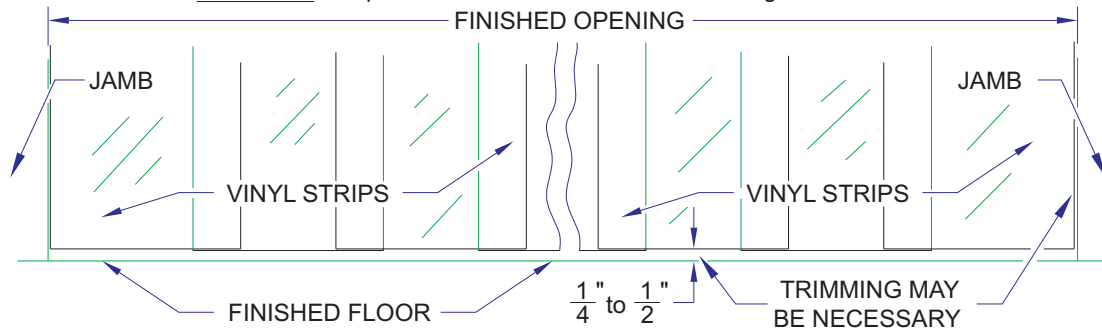
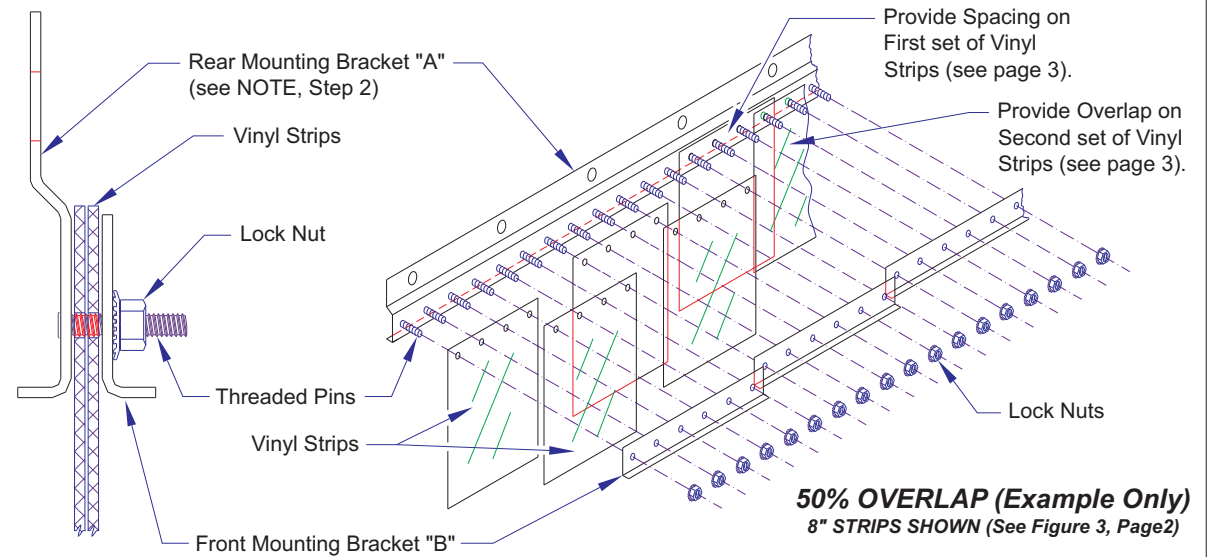


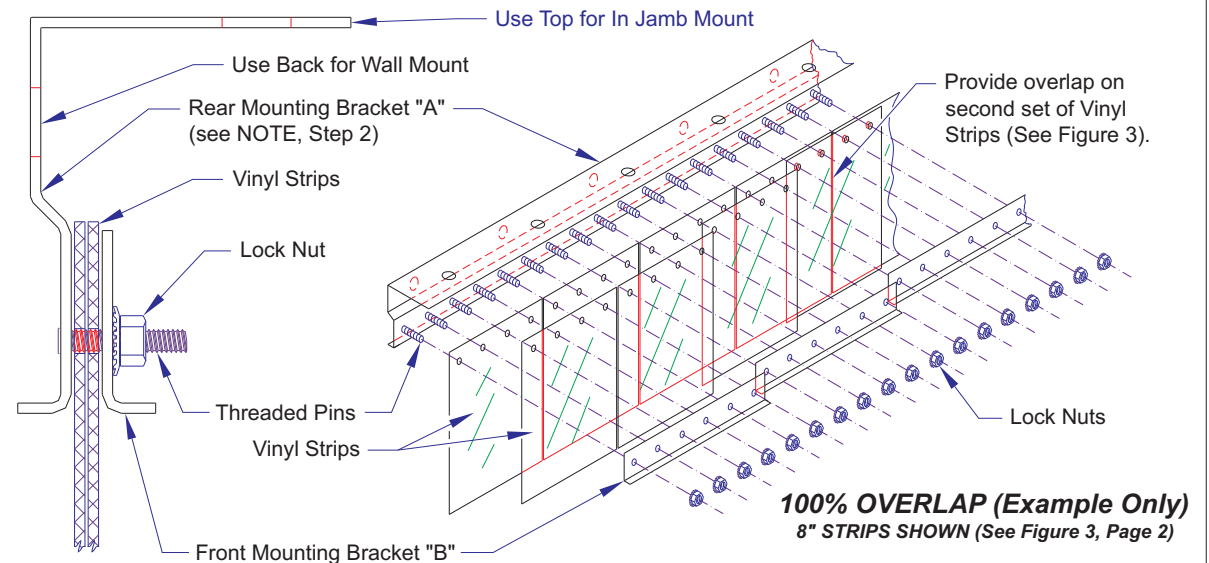
Figure 1

Econo Track Installation Instructions



END VIEW

STRIP DOOR ASSEMBLY FOR FLAT WALL MOUNT ONLY



END VIEW

STRIP DOOR ASSEMBLY UNIVERSAL MOUNT FOR FLAT WALL OR IN JAMB

Figure 3

STEP 3 (Strip Installation Continued)

Begin at one side of the Front Row of strips and place a strip over the threaded pins with the curve facing in the correct direction (See Figure 2, Page 1), and the strip covering an equal amount of each strip on the Back Row (See Figure 4).

Continue to place strips in this method until the entire front row is complete.

STEP 4

Secure front mounting bracket "B" to rear mounting bracket "A" with supplied washers and lock nuts (See Figure 3, Page 1).

Check Strips to make sure that the bottom of the strips are not touching the floor, Trim if necessary.

Check Strips to see that the curves are placed correctly as seen in Figure 2, Page 1. Remove strips that are placed incorrectly and turn 180° to create an adequate seal.

STRIP MAINTENANCE

To clean strip, wash with a mild household detergent. Do not use abrasive powders, solvents or strong caustic detergents or compounds.

Should strips frost up in cooler/freezer applications, periodic spraying of the strips with auto windshield deicer will help reduce the build-up.

Do not allow strips to drag on the floor.

For safety, badly scratched or otherwise damaged strips which impair vision, should be replaced.

DETERMINING QUANTITY OF STRIPS

IMPORTANT: The following are examples ONLY! Your Size, Model and Overlap Spacing may vary!

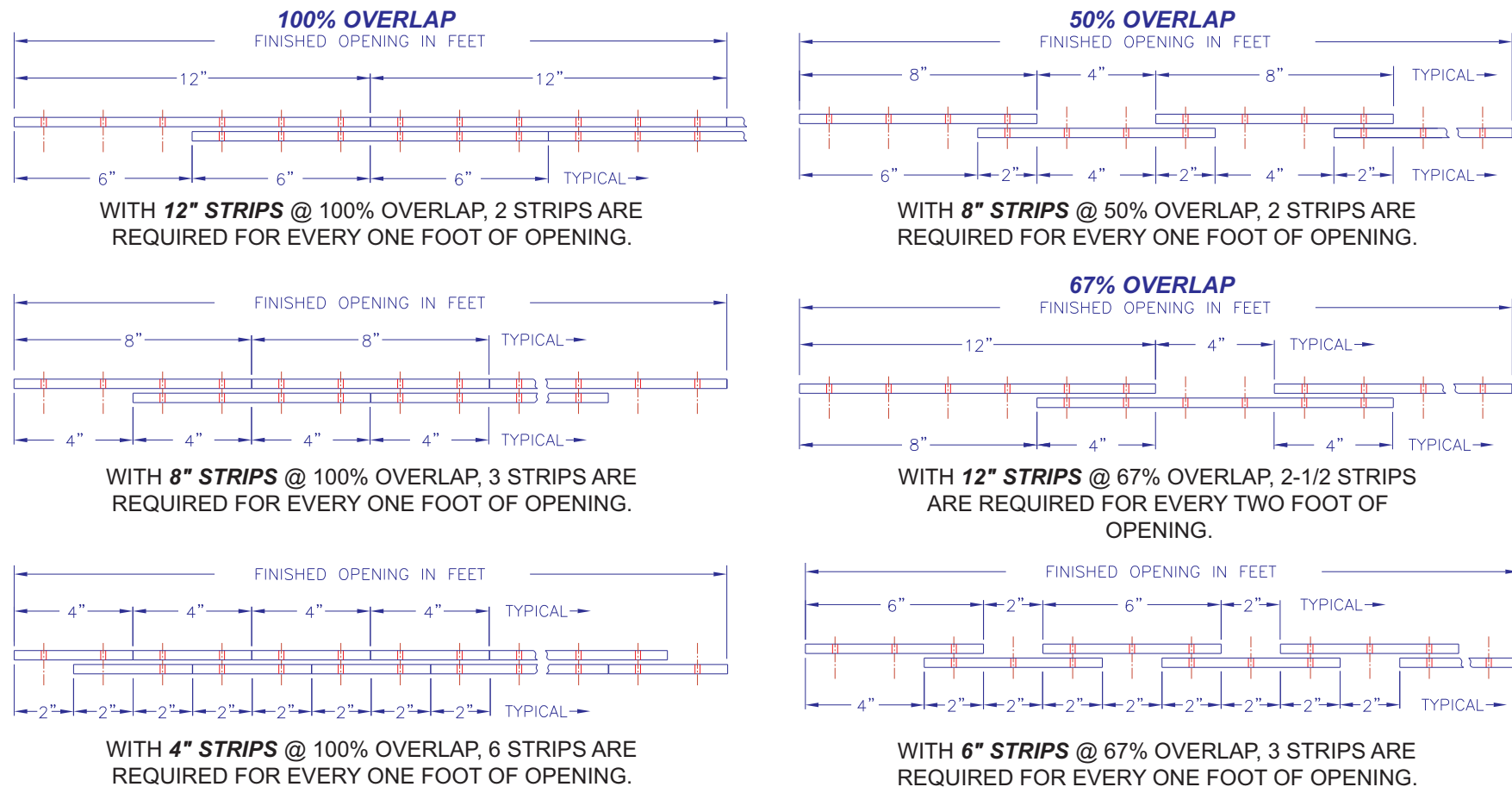


Figure 4