

# INFITTING SINGLE SWING DOOR, FOUR SIDED FRAME

**DOOR STYLE:**

INFITTING W/ FRAME

**DOOR FRAME TYPE:**

FOUR SIDED FLAT FRAME		
THREE SIDED THRU WALL	1" CAREFREE	1.5" CAREFREE
MIRROR IMAGE FRAME	1" CAREFREE	1.5" CAREFREE

**OPENING SIZE:**

FINISHED OPENING WIDTH (W.I.C.):  
 FINISHED OPENING HEIGHT (H.I.C.):

WALL THICKNESS:

**OPENING METHOD:**

HINGED ON LEFT                      HINGED ON RIGHT

**APPLICATION:**

COOLER                      FREEZER                      4" THICK                      6" THICK  
 (FREEZER DOORS COME STANDARD WITH HEATED FRAME AND BOTTOM BAR HEAT)

**ENTER ROOM TEMPERATURES:**

TEMPERATURE WALL SIDE:                      F (PLEASE PROVIDE)  
 TEMPERATURE HINGE SIDE:                      F (PLEASE PROVIDE)

**CLADDING - HINGE SIDE:**

EMBOSSSED WHITE GALVANIZED.	SMOOTH WHITE GALVANIZED
EMBOSSSED BLACK GALVANIZED	SMOOTH GALVALUME
EMBOSSSED GALVALUME	SMOOTH WHITE ALUMINUM
EMBOSSSED WHITE ALUMINUM	STAINLESS STEEL, #4 FINISH
EMBOSSSED MILL ALUMINUM	

**CLADDING - WALL SIDE:**

EMBOSSSED WHITE GALVANIZED.	SMOOTH WHITE GALVANIZED
EMBOSSSED BLACK GALVANIZED	SMOOTH GALVALUME
EMBOSSSED GALVALUME	SMOOTH WHITE ALUMINUM
EMBOSSSED WHITE ALUMINUM	STAINLESS STEEL, #4 FINISH
EMBOSSSED MILL ALUMINUM	

**LATCH:**

SOFT TOUCH W/ PADLOCKING	K-56 W/ PADLOCKING
SOFT TOUCH W/ KEY LOCK	K-56 W/ KEY LOCK
STAINLESS W/ PADLOCKING	K-56 DOUBLE W/ PADLOCKING
STAINLESS W/ KEY LOCK	K-56 DOUBLE W/ KEY LOCK
LEVER TRIM	
LEVER TRIM W/ CYLINDER	

STANDARD INSIDE RELEASE	RECESSED INSIDE RELEASE
PUSH BAR WITH LATCH	RIM PANIC DEVICE

**HINGES:**

1245 STANDARD	KASONIZED STRAP HINGES
STAINLESS STEEL HINGES	FURNISH EXTRA HINGE

**DOOR CLOSER:**

NONE (STD)	SPRING HINGE
OFFSET, STANDARD DUTY	HEAVY DUTY

**VISION WINDOW:**

HEATED	NON-HEATED	14" x 14"	14" x 24"
--------	------------	-----------	-----------

**KICK PLATE - HINGE SIDE:**

1/16" DIAMOND PLATE	1/8" DIAMOND PLATE	STAINLESS STEEL
12" TALL	24" TALL	36" TALL                      48" TALL                      Other:

**KICK PLATE - WALL SIDE:**

1/16" DIAMOND PLATE	1/8" DIAMOND PLATE	STAINLESS STEEL
12" TALL	24" TALL	36" TALL                      48" TALL                      Other:

**THRESHOLD:**

HEATED	NON-HEATED
6 3/4" ALUMINUM	6 3/4" STAINLESS STEEL
9 1/2" ALUMINUM	9 1/2" STAINLESS STEEL

**ADDITIONAL OPTIONS:**

JAMB WALL CAPS                                      JAMB WALL CAPS WITH INSERTS

OUTER WIDTH:                                      OUTER HEIGHT:                                      INSET:

METAL WRAPPED FRP FRAME

METAL WRAPPED THRU WALL FRAME

METAL WRAPPED MIRROR IMAGE FRAME

HEAT IN DOOR PANEL (RECOMMENDED FOR FREEZERS COLDER THAN -20 DEG. F.)

LIGHT SWITCH

THERMOMETER

CUT DOWN:

LEFT JAMB                                      RIGHT JAMB                                      HEADER

**APPLICATION (REQUIRED):**

1. IS THIS DOOR ON A BOX GREATER THAN 3000 SQ FEET                      YES                      NO
2. IF NO, IS BOX LOCATED IN COLD STORAGE FACILITY/ATMOSPHERE WITH FLOOR AREA 3000 SQ FEET OR LARGER? (A/C IS NOT COLD STORAGE)                      YES                      NO
3. DOES THIS APPLICATION INVOLVE MEDICAL, SCIENTIFIC, OR RESEARCH FACILITIES?                      YES                      NO

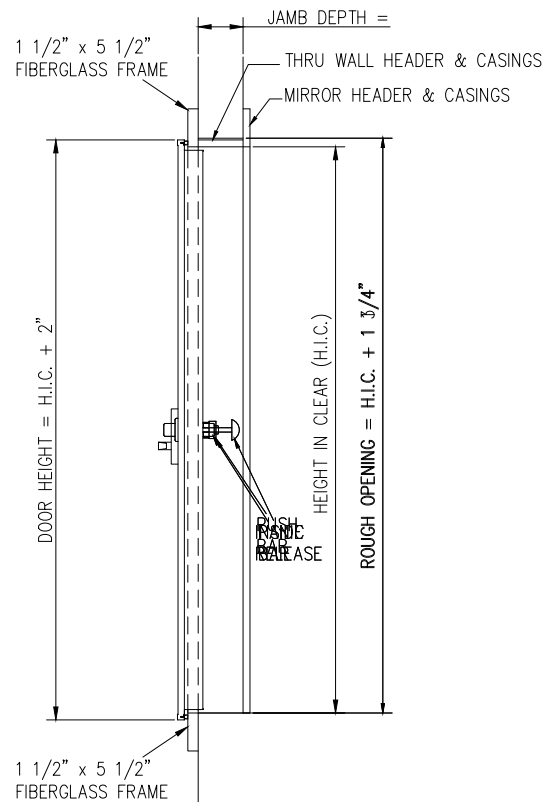
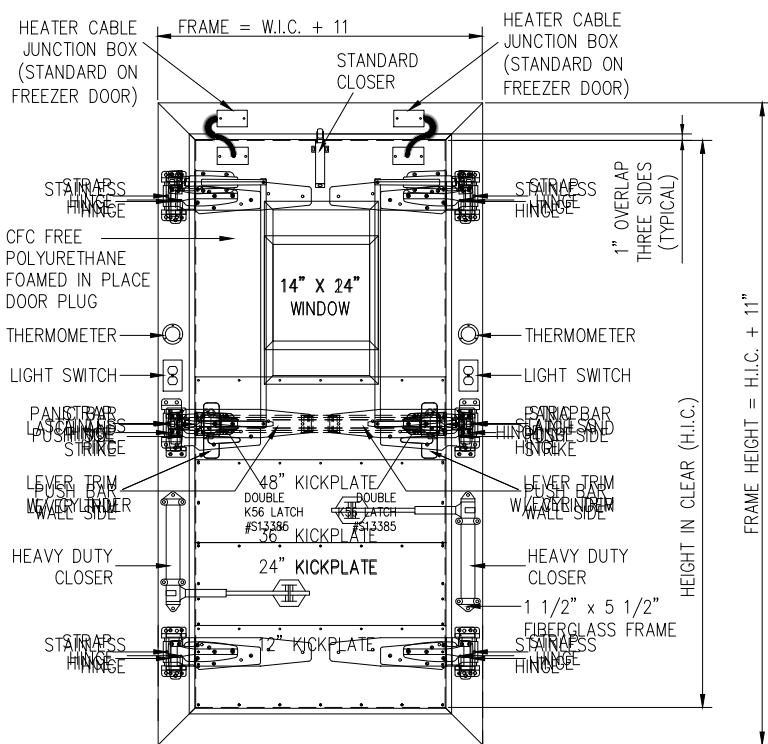
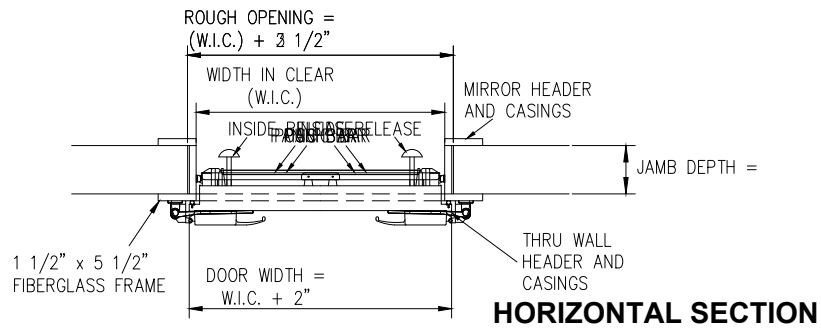
**SPECIAL INSTRUCTIONS TO MANUFACTURER:**



A SENNECA COMPANY

JOB		CUSTOMER NO:		NO. PRINTS	FOR	DATE	REVISED
			ORDER NO:				
SOLD TO		DRAWN BY:					
		SHEET	OF				

# INFITTING SINGLE SWING DOOR, FOUR SIDED FRAME



JOB		CUSTOMER NO:		NO. PRINTS	FOR	DATE	REVISED
		ORDER NO:					
SOLD TO		DRAWN BY:					
		SHEET	OF				