

# INFITTING SINGLE SWING DOOR, FOUR SIDED FRAME

**DOOR STYLE:**

INFITTING W/ FRAME

**DOOR FRAME TYPE:**

FOUR SIDED FLAT FRAME		
FOUR SIDED THRU WALL	1" CAREFREE	1.5" CAREFREE
MIRROR IMAGE FRAME	1" CAREFREE	1.5" CAREFREE

**OPENING SIZE:**

FINISHED OPENING WIDTH (W.I.C.):  
 FINISHED OPENING HEIGHT (H.I.C.):

WALL THICKNESS:

**OPENING METHOD:**

HINGED ON LEFT                      HINGED ON RIGHT

**APPLICATION:**

COOLER                      FREEZER                      4" THICK                      6" THICK  
 (FREEZER DOORS COME STANDARD WITH HEATED FRAME AND BOTTOM BAR HEAT)

**ENTER ROOM TEMPERATURES:**

TEMPERATURE WALL SIDE:                      F (PLEASE PROVIDE)  
 TEMPERATURE HINGE SIDE:                      F (PLEASE PROVIDE)

**CLADDING - HINGE SIDE:**

EMBOSSSED WHITE GALVANIZED.	SMOOTH WHITE GALVANIZED
EMBOSSSED BLACK GALVANIZED	SMOOTH GALVALUME
EMBOSSSED GALVALUME	SMOOTH WHITE ALUMINUM
EMBOSSSED WHITE ALUMINUM	STAINLESS STEEL, #4 FINISH
EMBOSSSED MILL ALUMINUM	

**CLADDING - WALL SIDE:**

EMBOSSSED WHITE GALVANIZED.	SMOOTH WHITE GALVANIZED
EMBOSSSED BLACK GALVANIZED	SMOOTH GALVALUME
EMBOSSSED GALVALUME	SMOOTH WHITE ALUMINUM
EMBOSSSED WHITE ALUMINUM	STAINLESS STEEL, #4 FINISH
EMBOSSSED MILL ALUMINUM	

**LATCH:**

SOFT TOUCH W/ PADLOCKING	K-56 W/ PADLOCKING
SOFT TOUCH W/ KEY LOCK	K-56 W/ KEY LOCK
STAINLESS W/ PADLOCKING	K-56 DOUBLE W/ PADLOCKING
STAINLESS W/ KEY LOCK	K-56 DOUBLE W/ KEY LOCK
LEVER TRIM	
LEVER TRIM W/ CYLINDER	

STANDARD INSIDE RELEASE	RECESSED INSIDE RELEASE
PUSH BAR WITH LATCH	RIM PANIC DEVICE

**HINGES:**

1245 STANDARD	KASONIZED STRAP HINGES
STAINLESS STEEL HINGES	FURNISH EXTRA HINGE

**DOOR CLOSER:**

NONE (STD)	SPRING HINGE
OFFSET, STANDARD DUTY	HEAVY DUTY

**VISION WINDOW:**

HEATED	NON-HEATED	14" x 14"	14" x 24"
--------	------------	-----------	-----------

**KICK PLATE - HINGE SIDE:**

1/16" DIAMOND PLATE	1/8" DIAMOND PLATE	STAINLESS STEEL
12" TALL	24" TALL	36" TALL                      48" TALL                      Other:

**KICK PLATE - WALL SIDE:**

1/16" DIAMOND PLATE	1/8" DIAMOND PLATE	STAINLESS STEEL
12" TALL	24" TALL	36" TALL                      48" TALL                      Other:

**THRESHOLD:**

HEATED	NON-HEATED
6 3/4" ALUMINUM	6 3/4" STAINLESS STEEL
9 1/2" ALUMINUM	9 1/2" STAINLESS STEEL

**ADDITIONAL OPTIONS:**

JAMB WALL CAPS	JAMB WALL CAPS WITH INSERTS
OUTER WIDTH:	OUTER HEIGHT:                      INSET:
METAL WRAPPED FRP FRAME	
METAL WRAPPED THRU WALL FRAME	
METAL WRAPPED MIRROR IMAGE FRAME	
HEAT IN DOOR PANEL (RECOMMENDED FOR FREEZERS COLDER THAN -20 DEG. F.)	
LIGHT SWITCH	
THERMOMETER	
CUT DOWN:	
LEFT JAMB	RIGHT JAMB                      HEADER

**APPLICATION (REQUIRED):**

- |  |     |    |
|--|-----|----|
| 1. IS THIS DOOR ON A BOX GREATER THAN 3000 SQ FEET   | YES | NO |
| 2. IF NO, IS BOX LOCATED IN COLD STORAGE FACILITY/ATMOSPHERE WITH FLOOR AREA 3000 SQ FEET OR LARGER? (A/C IS NOT COLD STORAGE) | YES | NO |
| 3. DOES THIS APPLICATION INVOLVE MEDICAL, SCIENTIFIC, OR RESEARCH FACILITIES?  | YES | NO |

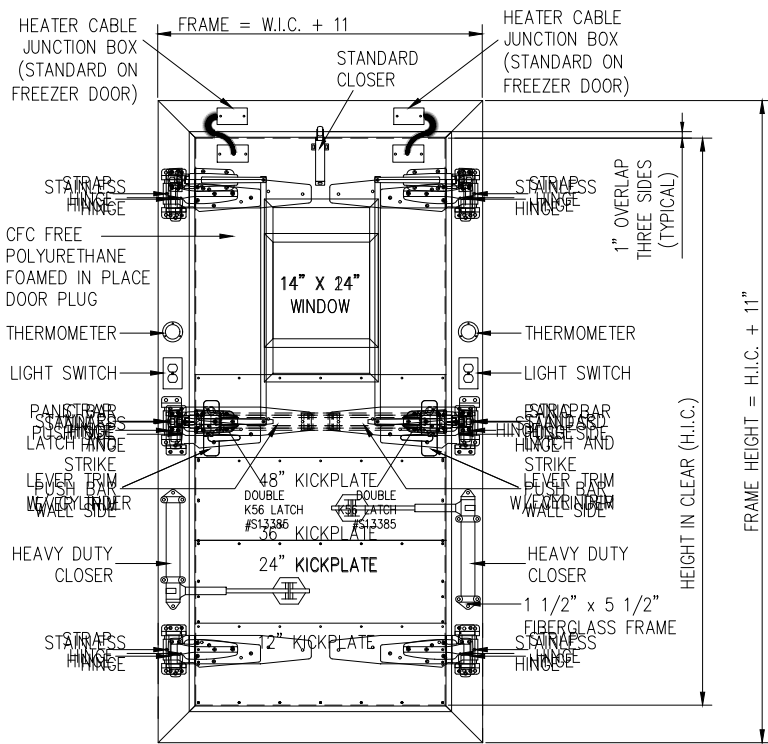
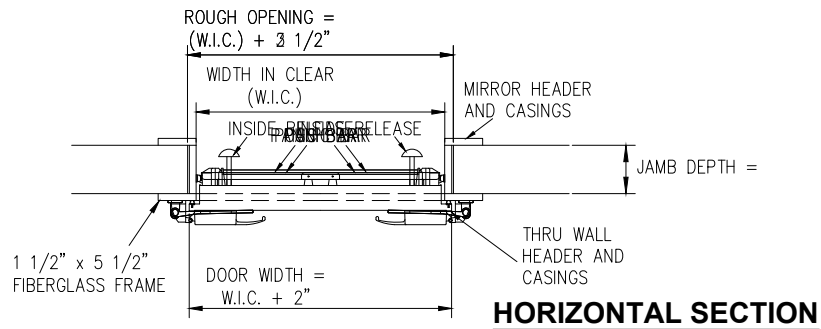
**SPECIAL INSTRUCTIONS TO MANUFACTURER:**



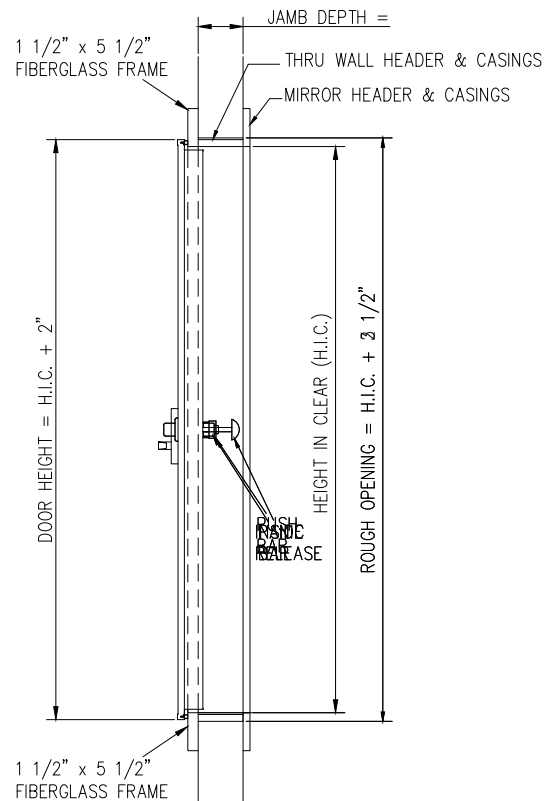
A SENNECA COMPANY

JOB		CUSTOMER NO:		NO. PRINTS	FOR	DATE	REVISED
			ORDER NO:				
SOLD TO		DRAWN BY:					
		SHEET	OF				

# INFITTING SINGLE SWING DOOR, FOUR SIDED FRAME



**FRONT ELEVATION**



**SIDE VIEW SECTION**



JOB		CUSTOMER NO:		NO. PRINTS	FOR	DATE	REVISED
		ORDER NO:					
		DRAWN BY:					
	SOLD TO		SHEET	OF			