

INFITTING SINGLE SWING DOOR, FOUR SIDED FRAME

DOOR STYLE:

INFITTING W/ FRAME

DOOR FRAME TYPE:

FOUR SIDED FLAT FRAME		
FOUR SIDED THRU WALL	1" CAREFREE	1.5" CAREFREE
MIRROR IMAGE FRAME	1" CAREFREE	1.5" CAREFREE

OPENING SIZE:

FINISHED OPENING WIDTH (W.I.C.):
 FINISHED OPENING HEIGHT (H.I.C.):

WALL THICKNESS:

OPENING METHOD:

HINGED ON LEFT HINGED ON RIGHT

APPLICATION:

COOLER FREEZER 4" THICK 6" THICK
 (FREEZER DOORS COME STANDARD WITH HEATED FRAME AND BOTTOM BAR HEAT)

ENTER ROOM TEMPERATURES:

TEMPERATURE WALL SIDE: F (PLEASE PROVIDE)
 TEMPERATURE HINGE SIDE: F (PLEASE PROVIDE)

CLADDING - HINGE SIDE:

EMBOSSSED WHITE GALVANIZED.	SMOOTH WHITE GALVANIZED
EMBOSSSED BLACK GALVANIZED	SMOOTH GALVALUME
EMBOSSSED GALVALUME	SMOOTH WHITE ALUMINUM
EMBOSSSED WHITE ALUMINUM	STAINLESS STEEL, #4 FINISH
EMBOSSSED MILL ALUMINUM	

CLADDING - WALL SIDE:

EMBOSSSED WHITE GALVANIZED.	SMOOTH WHITE GALVANIZED
EMBOSSSED BLACK GALVANIZED	SMOOTH GALVALUME
EMBOSSSED GALVALUME	SMOOTH WHITE ALUMINUM
EMBOSSSED WHITE ALUMINUM	STAINLESS STEEL, #4 FINISH
EMBOSSSED MILL ALUMINUM	

LATCH:

SOFT TOUCH W/ PADLOCKING	K-56 W/ PADLOCKING
SOFT TOUCH W/ KEY LOCK	K-56 W/ KEY LOCK
STAINLESS W/ PADLOCKING	K-56 DOUBLE W/ PADLOCKING
STAINLESS W/ KEY LOCK	K-56 DOUBLE W/ KEY LOCK
LEVER TRIM	
LEVER TRIM W/ CYLINDER	

STANDARD INSIDE RELEASE	RECESSED INSIDE RELEASE
PUSH BAR WITH LATCH	RIM PANIC DEVICE

HINGES:

1245 STANDARD	KASONIZED STRAP HINGES
STAINLESS STEEL HINGES	FURNISH EXTRA HINGE

DOOR CLOSER:

NONE (STD)	SPRING HINGE
OFFSET, STANDARD DUTY	HEAVY DUTY

VISION WINDOW:

HEATED	NON-HEATED	14" x 14"	14" x 24"
--------	------------	-----------	-----------

KICK PLATE - HINGE SIDE:

1/16" DIAMOND PLATE	1/8" DIAMOND PLATE	STAINLESS STEEL
12" TALL	24" TALL	36" TALL 48" TALL Other:

KICK PLATE - WALL SIDE:

1/16" DIAMOND PLATE	1/8" DIAMOND PLATE	STAINLESS STEEL
12" TALL	24" TALL	36" TALL 48" TALL Other:

THRESHOLD:

HEATED	NON-HEATED
6 3/4" ALUMINUM	6 3/4" STAINLESS STEEL
9 1/2" ALUMINUM	9 1/2" STAINLESS STEEL

ADDITIONAL OPTIONS:

JAMB WALL CAPS	JAMB WALL CAPS WITH INSERTS
OUTER WIDTH:	OUTER HEIGHT: INSET:
METAL WRAPPED FRP FRAME	
METAL WRAPPED THRU WALL FRAME	
METAL WRAPPED MIRROR IMAGE FRAME	
HEAT IN DOOR PANEL (RECOMMENDED FOR FREEZERS COLDER THAN -20 DEG. F.)	
LIGHT SWITCH	
THERMOMETER	
CUT DOWN:	
LEFT JAMB	RIGHT JAMB HEADER

APPLICATION (REQUIRED):

- | | | |
|--|-----|----|
| 1. IS THIS DOOR ON A BOX GREATER THAN 3000 SQ FEET | YES | NO |
| 2. IF NO, IS BOX LOCATED IN COLD STORAGE FACILITY/ATMOSPHERE WITH FLOOR AREA 3000 SQ FEET OR LARGER? (A/C IS NOT COLD STORAGE) | YES | NO |
| 3. DOES THIS APPLICATION INVOLVE MEDICAL, SCIENTIFIC, OR RESEARCH FACILITIES? | YES | NO |

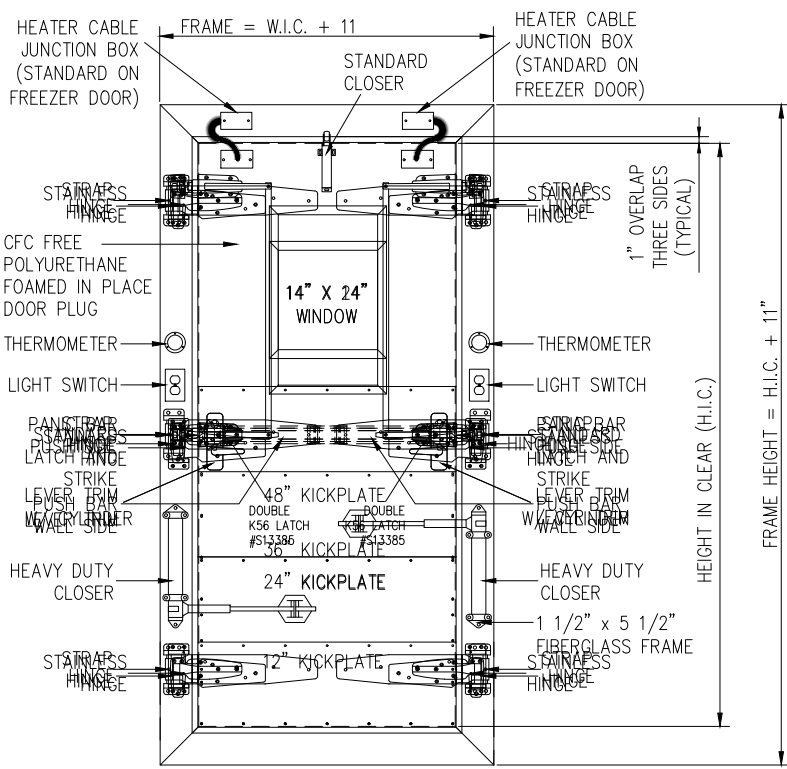
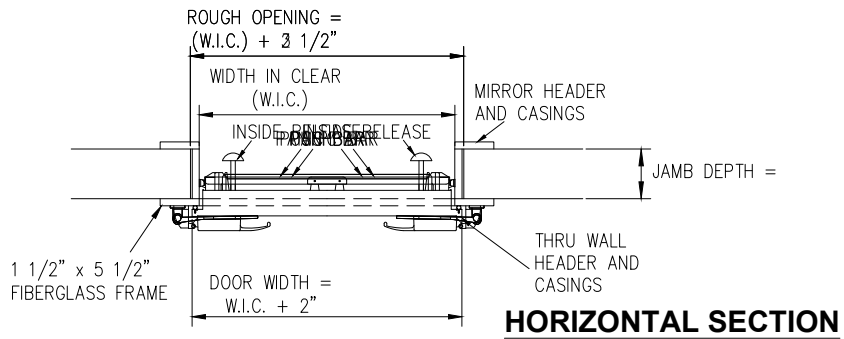
SPECIAL INSTRUCTIONS TO MANUFACTURER:



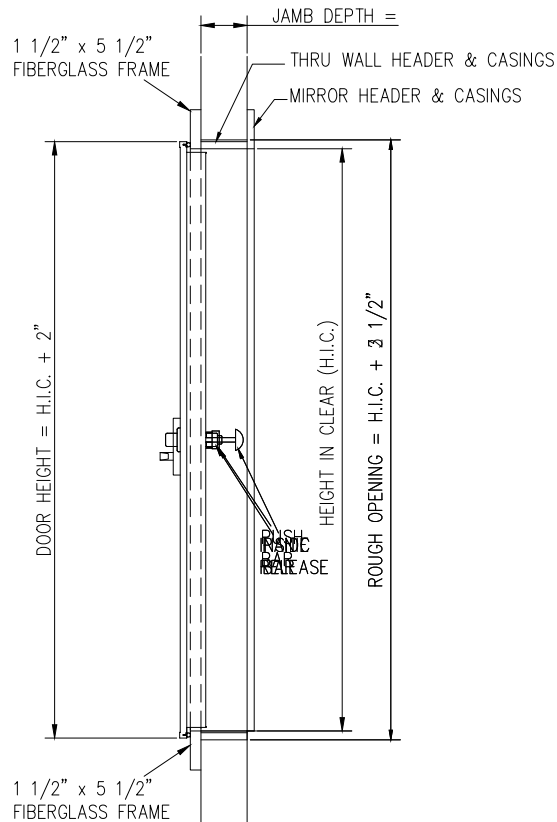
A SENNECA COMPANY

JOB		CUSTOMER NO:		NO. PRINTS	FOR	DATE	REVISED
			ORDER NO:				
SOLD TO		DRAWN BY:					
		SHEET	OF				

INFITTING SINGLE SWING DOOR, FOUR SIDED FRAME



FRONT ELEVATION



SIDE VIEW SECTION



A SENNECA COMPANY

JOB		CUSTOMER NO:		NO. PRINTS	FOR	DATE	REVISED
			ORDER NO:				
SOLD TO		DRAWN BY:					
		SHEET	OF				