

MANUAL VERTICAL LIFT DOOR WITH COUNTERBALANCE SYSTEM

TYPE & THICKNESS OF DOOR:

COOLER FREEZER 4" THICK 6" THICK

OPENING SIZE:

FINISHED OPENING WIDTH (W.I.C.):
 FINISHED OPENING HEIGHT (H.I.C.): WALL THICKNESS:

ENTER ROOM TEMPERATURES:

TEMPERATURE WALL SIDE: F (PLEASE PROVIDE)
 TEMPERATURE TRACK SIDE: F (PLEASE PROVIDE)

CLADDING - TRACK SIDE:

EMBOSSD WHITE GALVANIZED.	SMOOTH WHITE GALVANIZED
EMBOSSD BLACK GALVANIZED	SMOOTH GALVALUME
EMBOSSD GALVALUME	SMOOTH WHITE ALUMINUM
EMBOSSD WHITE ALUMINUM	STAINLESS STEEL, #4 FINISH
EMBOSSD MILL ALUMINUM	
CUSTOM	

CLADDING - WALL SIDE:

EMBOSSD WHITE GALVANIZED.	SMOOTH WHITE GALVANIZED
EMBOSSD BLACK GALVANIZED	SMOOTH GALVALUME
EMBOSSD GALVALUME	SMOOTH WHITE ALUMINUM
EMBOSSD WHITE ALUMINUM	STAINLESS STEEL, #4 FINISH
EMBOSSD MILL ALUMINUM	
CUSTOM	

VISION WINDOW:

HEATED NON-HEATED 14" x 14" 14" x 24"

KICK PLATE - TRACK SIDE:

1/16" DIAMOND PLATE	1/8" DIAMOND PLATE	STAINLESS STEEL
12" TALL 24" TALL	36" TALL 48" TALL	Other:

KICK PLATE - WALL SIDE:

1/16" DIAMOND PLATE	STAINLESS STEEL
12" TALL 24" TALL	36" TALL 48" TALL
	Other:

CASINGS AND HEADER:

TRACK SIDE:

MOLDED PLASTIC POLYMER (MPP)	METAL CLAD MPP
1" CAREFREE	1.5" CAREFREE

MIRROR SIDE:

MOLDED PLASTIC POLYMER (MPP)	METAL CLAD MPP
1" CAREFREE	1.5" CAREFREE

THRU WALL:

MOLDED PLASTIC POLYMER (MPP)	METAL CLAD MPP
1" CAREFREE	1.5" CAREFREE

COUNTER BALANCE SYSTEM:

WEIGHTS
 TORSION SPRINGS

LOCKING:

LOCK TRACK SIDE
 LOCK TRACK SIDE, CYLINDER OPPOSITE, T-HANDLE BOTH SIDES,

ADDITIONAL OPTIONS:

CHAIN HOIST		
ELEVATED COOLER/FREEZER FLOOR	FLOOR THICKNESS:	
JAMB WALL CAPS, NO INSERTS	JAMB WALL CAPS WITH INSERTS	
OUTER WIDTH:	OUTER HEIGHT:	INSET:

APPLICATION (REQUIRED):

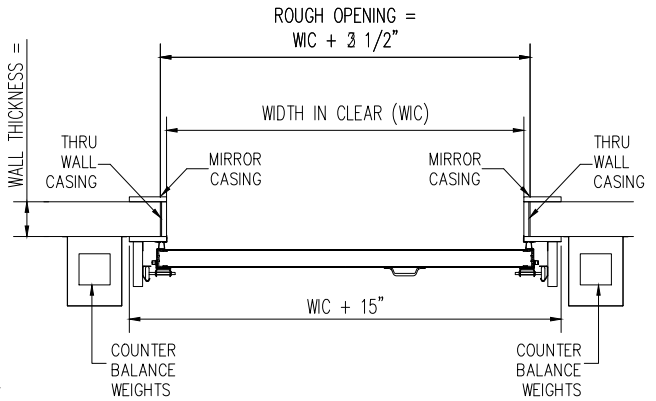
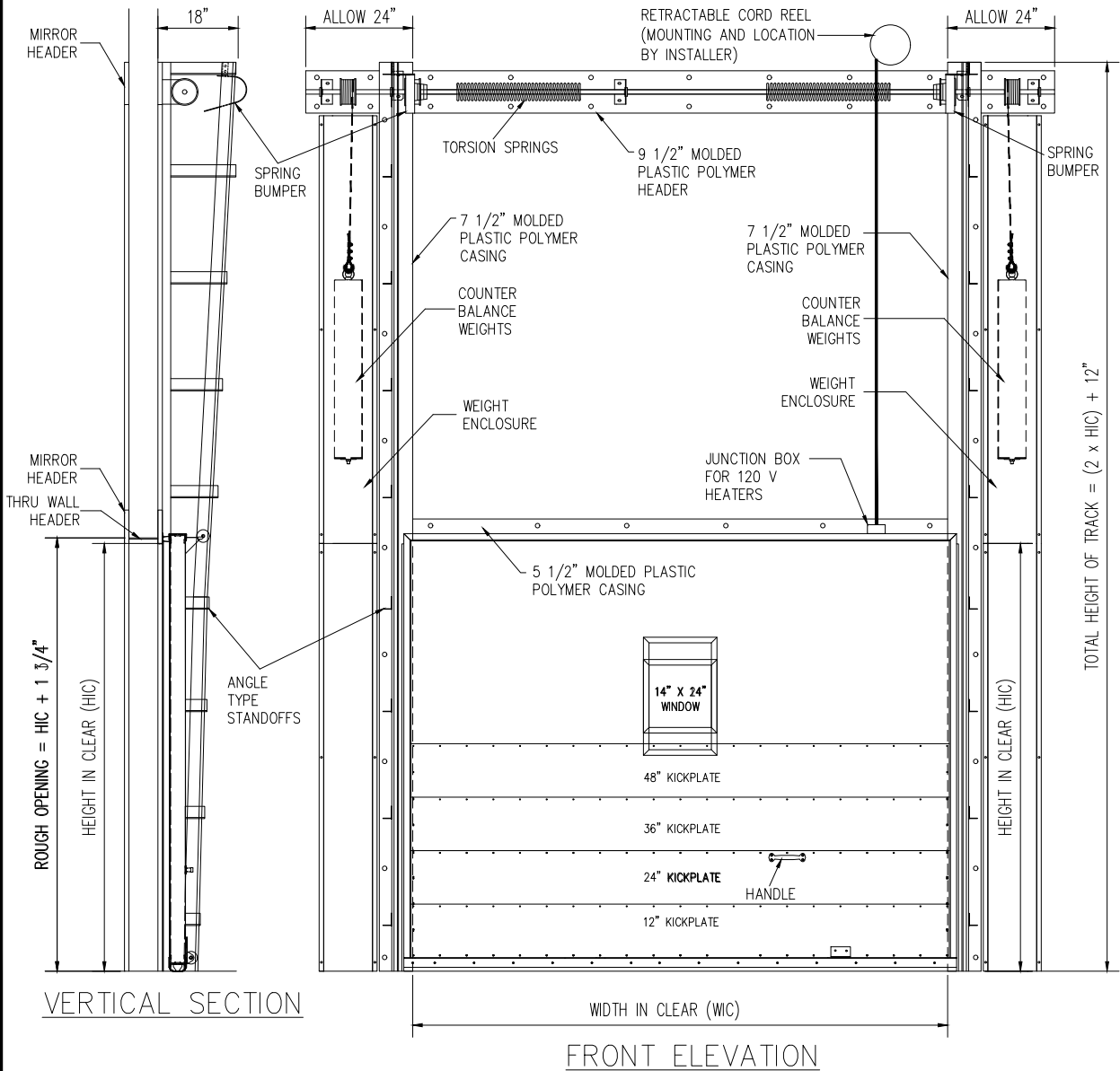
1. IS THIS DOOR ON A BOX GREATER THAN 3000 SQ FEET YES NO
2. IF NO, IS BOX LOCATED IN COLD STORAGE FACILITY/ATMOSPHERE WITH FLOOR AREA 3000 SQ FEET OR LARGER? (A/C IS NOT COLD STORAGE) YES NO
3. DOES THIS APPLICATION INVOLVE MEDICAL, SCIENTIFIC, OR RESEARCH FACILITIES? YES NO

SPECIAL INSTRUCTIONS TO MANUFACTURER:



JOB		CUSTOMER NO:		NO. PRINTS	FOR	DATE	REVISED	
		CHASE ORDER NO:						
	SOLD TO		DRAWN BY:					
			SHEET	OF				

MANUAL VERTICAL LIFT DOOR WITH COUNTERBALANCE SYSTEM



JOB		CUSTOMER NO:		NO. PRINTS	FOR	DATE	REVISED
	SOLD TO		CHASE ORDER NO:				
		DRAWN BY:					
		SHEET	OF				