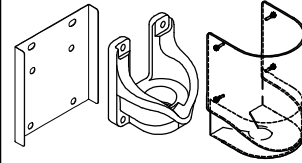


**V CAM KITS**

1



**DURULITE STD/IND V-CAM CAST ASSEMBLY KIT # D0MKTRP017**

- STD/IND V-Cam # D00AS5561C
  - MTL--Mounting Fasteners # D0MFS00199
  - WD--Mounting Fasteners # D0MFS00197
  - V-Cam Mounting Shim # D0MPPVSHMC
  - Backer Plate # D0MHW02556
  - Solid Riser Cup # D0MPPSRISR
  - Hinge Seal Wrap # D0MPPHSRAP
  - Hinge Seal Wrap mounting Screws # D0MFS01258
- Qty:

**DURULITE STD/IND V-CAM STAINLESS STEEL ASSEMBLY KIT # D0MKTRP018**

- STD/IND V-Cam SS # D04AS55091
  - MTL--Mounting Fasteners # D0MFS00199
  - WD--Mounting Fasteners # D0MFS00197
  - V-Cam Mounting Shim # D0MPPVSHMC
  - Backer Plate # D0MHW02556
  - Solid Riser Cup # D0MPPSRISR
  - Hinge Seal Wrap # D0MPPHSRAP
  - Hinge Seal Wrap mounting Screws # D0MFS01258
- Qty:

**DURULITE STD/IND V-CAM LO-RISE ASSEMBLY KIT # D0MKTRP019**

- STD/IND V-Cam Lo-Rise # D0OAS14021
  - MTL--Mounting Fasteners # D0MFS00199
  - WD--Mounting Fasteners # D0MFS00197
  - V-Cam Mounting Shim # D0MPPVSHMC
  - Backer Plate # D0MHW02556
  - Solid Riser Cup # D0MPPSRISR
  - Hinge Seal Wrap # D0MPPHSRAP
  - Hinge Seal Wrap mounting Screws # D0MFS01258
- Qty:

**DURULITE STD/IND HOLD OPEN V-CAM ASSEMBLY KIT # D0MKTRP025**

- STD/IND Hold Open V-Cam # D00ASVCCO
  - MTL--Mounting Fasteners # D0MFS00199
  - WD--Mounting Fasteners # D0MFS00197
  - V-Cam Mounting Shim # D0MPPVSHMC
  - Backer Plate # D0MHW02556
  - Solid Riser Cup # D0MPPSRISR
  - Hinge Seal Wrap # D0MPPHSRAP
  - Hinge Seal Wrap mounting Screws # D0MFS01258
- Qty:

**INDUSTRIAL UPPER HINGE SEAL KIT (BACKER) # D0MKTHSDUR**

- Backer Plate, Hinge Seal # D0MHW02556
  - PVC Hinge Wrap, Durulite S/X # D0MPPHSRAP
  - Bushing Snap, Durulite Standard # D0MPPHSBSH
  - Screw, HWH TEK #10 - 12 x 5/8 18-8 Stainless Steel Painted Black Head # D0MFS01258
- Qty:

**ROLLER ASSEMBLY KITS**

1



**DURULITE STD/IND ROLLER ASSEMBLY KIT # D0MKTRP001**

- Durulite Roller Assembly # D0MASC5508
  - Pin Pack # D05FSRPP01
- Qty:

**DURULITE STD/IND ROLLER ASSEMBLY KIT S/S # D0MKTRP002**

- Durulite Roller Casting # D0MCSC5508
  - SS Bearing # D0MHWYCR2S
  - Pin Pack # D05FSRPP01
- Qty:

**FASTENER KITS**



**RET / DURULITE WOOD FASTENER KIT (14 WOOD HW SCREWS) # D0MKTWOODF**

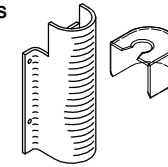
- Screw (HWH Sht Mtl #14X3 w/ Sealer Type A, 18-8 SS 1M/BX) # D0MFS00197
- Qty:

**RET / DURULITE STANDARD FASTENER KIT (14 METAL HW, 6 HINGE SEAL, 6 TOP SEAL) # D0MKTSTDFS**

- STD Metal Screw (HWH TEK #4, 1/4-20 X 1-7/8, 410 Stainless Steel MZP) # D0MFS00199
  - Screw (12-24 X 1-1/4 HWH TEK #5 410 SS MZP, w/ Heads Painted Black) # D0MFS03500
  - Screw (HWH TEK #10 - 12 X 5/8 18-8 Stainless Steel Painted Black Head) # D0MFS01259
- Qty:

**LOWER HINGE GUARD KITS**

2



**DURULITE STD/IND LOWER HINGE GUARD 11" ALUMINUM KIT # D0MKTRP009**

- STD/IND LHG # D0MALLHGXA
  - MTL--Mounting Fasteners # D0MFS00199
  - WD--Mounting Fasteners # D0MFS00197
  - Solid Riser Cup # D0MPPSRISR
  - Height ADJ Shim # D0MPPADJPC
- Qty:

**DURULITE STD/IND LOWER HINGE GUARD 11" ROTO-MOLD KIT # D0MKTRP010**

- STD/IND LHG # D0MPP0LHGX
  - MTL--Mounting Fasteners # D0MFS00200
  - WD--Mounting Fasteners # D0MFS00198
  - Solid Riser Cup # D0MPPSRISR
  - Height ADJ Shim # D0MPPADJPC
- Qty:

**DURULITE STD/IND STAINLESS STEEL LOWER HINGE GUARD 11" STAINLESS STEEL KIT # D0MKTRP011**

- S/S STD/IND LHG # D0MSSLHGXS
  - MTL--Mounting Fasteners # D0MFS00199
  - WD--Mounting Fasteners # D0MFS00197
  - Solid Riser Cup # D0MPPSRISR
  - Height ADJ Shim # D0MPPADJPC
- Qty:

**DURULITE STD/IND LOWER HINGE GUARD 8-1/2" ALUMINUM KIT # D0MKTRP012**

- STD/IND LHG # D0MAL05518
  - MTL--Mounting Fasteners # D0MFS00199
  - WD--Mounting Fasteners # D0MFS00197
  - Solid Riser Cup # D0MPPSRISR
  - Height ADJ Shim # D0MPPADJPC
- Qty:



**CHASE FISH PLATE FASTENER KIT # D0MFSRFPKIT**

- Screw (HHC Machine 1/4-20 X 2-1/2, 18-8 SS) # D0MFS01537
  - Fastener (1/4-20 X 3 Hex Cap Screw) # D0MFS01536
  - Washer (Flat 1/4" SAE, .281D X .625D, 500/BX) # D0MFS00107
  - Nut (1/4-20 L/N, 18-8 Stainless Steel, w/ Nylon Insert) # D0MFS00210
- Qty:

**DURULITE STD/IND LOWER HINGE GUARD 8-1/2" ROTO-MOLD KIT # D0MKTRP013**

- STD/IND LHG # D0MPP0LHGS
  - MTL--Mounting Fasteners # D0MFS00200
  - WD--Mounting Fasteners # D0MFS00198
  - Solid Riser Cup # D0MPPSRISR
  - Height ADJ Shim # D0MPPADJPC
- Qty:

**DURULITE STD/IND STAINLESS STEEL LOWER HINGE GUARD 8-1/2" STAINLESS STEEL KIT # D0MKTRP014**

- S/S STD/IND LHG # D0MSSLHGSS
  - MTL--Mounting Fasteners # D0MFS00199
  - WD--Mounting Fasteners # D0MFS00197
  - Solid Riser Cup # D0MPPSRISR
  - Height ADJ Shim # D0MPPADJPC
- Qty:

**DURULITE STD HUSSMAN LOWER HINGE GUARD HUSSMAN ALUMINUM KIT # D0MKTRP015**

- STD/IND LHG # D0MALHLHG
  - MTL--Mounting Fasteners # D0MFS00199
  - WD--Mounting Fasteners # D0MFS00197
  - Height ADJ Shim # D0MPPADJPC
- Qty:

**DURULITE STD/IND 180 PVC LOWER HINGE GUARD KIT # D0MKTRP016**

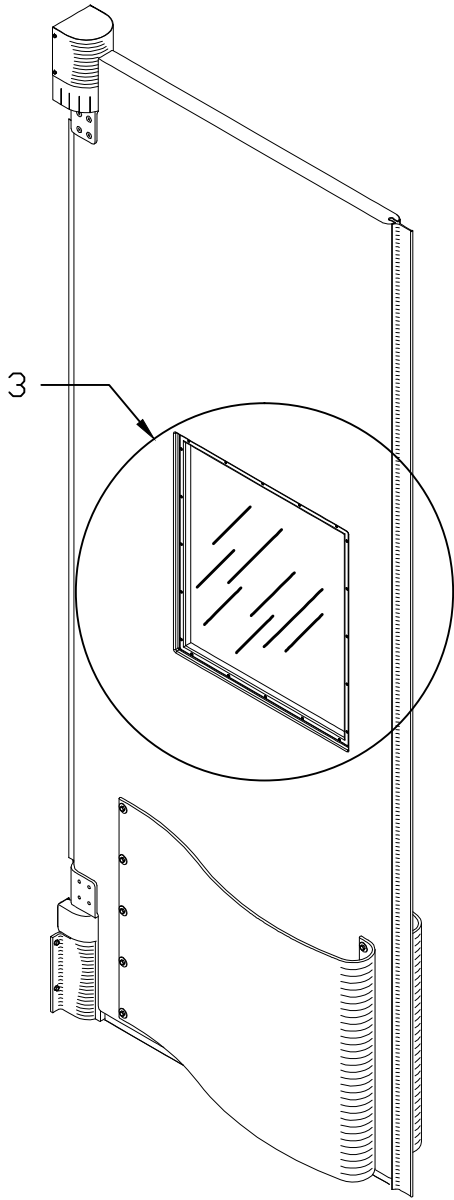
- STD/IND 180 LHG # D0MPP180HG
  - MTL--Mounting Fasteners # D0MFS00200
  - WD--Mounting Fasteners # D0MFS00198
  - 180 Solid Riser Cup # D0MPP180CT
  - Height ADJ Shim # D0MPPADJPC
- Qty:

DURULITE INDUSTRIAL & STANDARD  
Hardware Kits Only

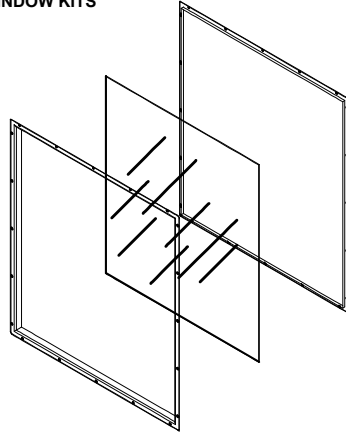
DURULITE KITS

**Chase Doors**

A SENNECA COMPANY



**WINDOW KITS**



**WINDOW PKG W/TRIM, SGL 36, 39, 42, 48 DR # D00AS036SW**

- Extrusion, Peep Trim 98" Aluminum, Painted Black. Die 48629 # DOMAL02207
  - Peep, 36" Clear Window, Cut Size: 1/8" x 21-3/4" x 23-3/4" # D0MTM07036
  - Screw, Oval SHT MTL #6 x 3/4 #1 SQ DRV Needle Point, 18-8 Stainless Steel Black Ecoat, 10M # D0MFS00137
  - Tape, Peep 1/16" x 3/8" Black Foam SST20 # D0MADPEEPT
- Qty:

**10" x 22" DURULITE WINDOW PKG, ONE PIECE # D0MAS1022P**

- Durulite One Piece Window Frame ABS Black 10" x 22" # D04PP10X22
  - Polycarbonate, 1/8" x 10 x 22 Cut Size: 10 3/8" x 22 1/2" # D0MTM10X22
  - Screw, PH Machine 1/4-20 x 3/4 Phillips, 18-8 Stainless Steel, Black Zinc w/ Nylon Patch # D0MFS043BK
  - Tape, Peep 1/16" x 3/8" Black Foam SST20 # D0MADPEEPT
- Qty:

**10" x 22" DURULITE WINDOW PKG, ONE PIECE # D0MAS1022P**

- Durulite One Piece Window Frame ABS Black 10" x 22" # D04PP10X22
  - Polycarbonate, 1/8" x 10 x 22 Cut Size: 10 3/8" x 22 1/2" # D0MTM10X22
  - Screw, PH Machine 1/4-20 x 3/4 Phillips, 18-8 Stainless Steel, Black Zinc w/ Nylon Patch # D0MFS043BK
  - Tape, Peep 1/16" x 3/8" Black Foam SST20 # D0MADPEEPT
- Qty:

**10" x 22" DURULITE WINDOW PKG, ONE PIECE # D0MAS1022P**

- Durulite One Piece Window Frame ABS Black 10" x 22" # D04PP10X22
  - Polycarbonate, 1/8" x 10 x 22 Cut Size: 10 3/8" x 22 1/2" # D0MTM10X22
  - Screw, PH Machine 1/4-20 x 3/4 Phillips, 18-8 Stainless Steel, Black Zinc w/ Nylon Patch # D0MFS043BK
  - Tape, Peep 1/16" x 3/8" Black Foam SST20 # D0MADPEEPT
- Qty:

**14" x 22" DURULITE WINDOW PKG, ONE PIECE (30" DOORS) # D0MAS1422P**

- Durulite One Piece Window Frame ABS Black 14" x 22" # D04PP14X22
  - Polycarbonate, 1/8" x 14 x 22 Cut Size: 14 3/8" x 22 3/8" # D0MTM14X22
  - Screw, PH Machine 1/4-20 x 3/4 Phillips, 18-8 Stainless Steel, Black Zinc w/ Nylon Patch # D0MFS043BK
  - Tape, Peep 1/16" x 3/8" Black Foam SST20 # D0MADPEEPT
- Qty:

**16" x 22" DURULITE WINDOW PKG, ONE PIECE # D0MAS1622P**

- Durulite One Piece Window Frame ABS Black 16" x 22" # D04PP16X22
  - Polycarbonate, 1/8" x 16 x 22 Cut Size: 16 1/2" x 22 1/2" # D0MTM16X22
  - Screw, PH Machine 1/4-20 x 3/4 Phillips, 18-8 Stainless Steel, Black Zinc w/ Nylon Patch # D0MFS043BK
  - Tape, Peep 1/16" x 3/8" Black Foam SST20 # D0MADPEEPT
- Qty:

**18" x 22" DURULITE WINDOW PKG, ONE PIECE FRAME (34" DOORS) # D0MAS1822P**

- Durulite One Piece Window Frame ABS Black 18" x 22" # D04PP18X22
  - Polycarbonate, Clear 18 x 22 Cut Size: 1/8" x 18-1/2" x 22 1/2" # D0MTM18X22
  - Screw, PH Machine 1/4-20 x 3/4 Phillips, 18-8 Stainless Steel, Black Zinc w/ Nylon Patch # D0MFS043BK
  - Tape, Peep 1/16" x 3/8" Black Foam SST20 # D0MADPEEPT
- Qty:

**20" x 22" DURULITE WINDOW PKG, ONE PIECE # D0MAS2022P**

- Durulite One Piece Window Frame ABS Black 20" x 22" # D04PP20X22
  - Polycarbonate, 1/8" x 20 x 22 Cut Size: 20-7/16" x 22-5/8" # D0MTM20X22
  - Screw, PH Machine 1/4-20 x 3/4 Phillips, 18-8 Stainless Steel, Black Zinc w/ Nylon Patch # D0MFS043BK
  - Tape, Peep 1/16" x 3/8" Black Foam SST20 # D0MADPEEPT
- Qty:

**22" x 22" DURULITE WINDOW PKG, ONE PIECE # D0MAS2222P**

- Durulite One Piece Window Frame ABS Black 22" x 22" # D04PP22X22
  - Polycarbonate, 22 x 22 Cut Size: 22-1/2" x 22-5/8", Clear # D0MTM22X22
  - Screw, PH Machine 1/4-20 x 3/4 Phillips, 18-8 Stainless Steel, Black Zinc w/ Nylon Patch # D0MFS043BK
  - Tape, Peep 1/16" x 3/8" Black Foam SST20 # D0MADPEEPT
- Qty:

**WINDOW PKG W/TRIM, SGL 30 DR # D0MAS7030S**

- Extrusion, Peep Trim 98" Aluminum, Painted Black. Die 48629 # DOMAL02207
  - Peep, 30" Cut Size: 1/8" x 15-3/4" x 23-13/16", Window Clear # D0MTM07030
  - Screw, Oval SHT MTL #6 x 3/4 #1 SQ DRV Needle Point, 18-8 Stainless Steel Black Ecoat, 10M # D0MFS00137
  - Tape, Peep 1/16" x 3/8" Black Foam SST20 # D0MADPEEPT
- Qty:

**14" x 22" STD/IND Frame Kit, Frames (2) & Screws (30" Doors) # D0MKT01422**

- Durulite One Piece Window Frame ABS Black 14" x 22" # D04PP14X22
  - Screw, PH Machine 1/4-20 x 3/4 Phillips, 18-8 Stainless Steel, Black Zinc w/Nylon Patch # D0MFS043BK
- Qty:

**20" x 22" STD/IND Frame Kit, Frames (2) # D0MKT02022**

- Durulite One Piece Window Frame ABS Black 20" x 22" # D04PP20X22
  - Screw, PH Machine 1/4-20 x 3/4 Phillips, 18-8 Stainless Steel, Black Zinc w/Nylon Patch # D0MFS043BK
- Qty:

**22" x 22" STD/IND Frame Kit, Frames (2) # D0MKT02222**

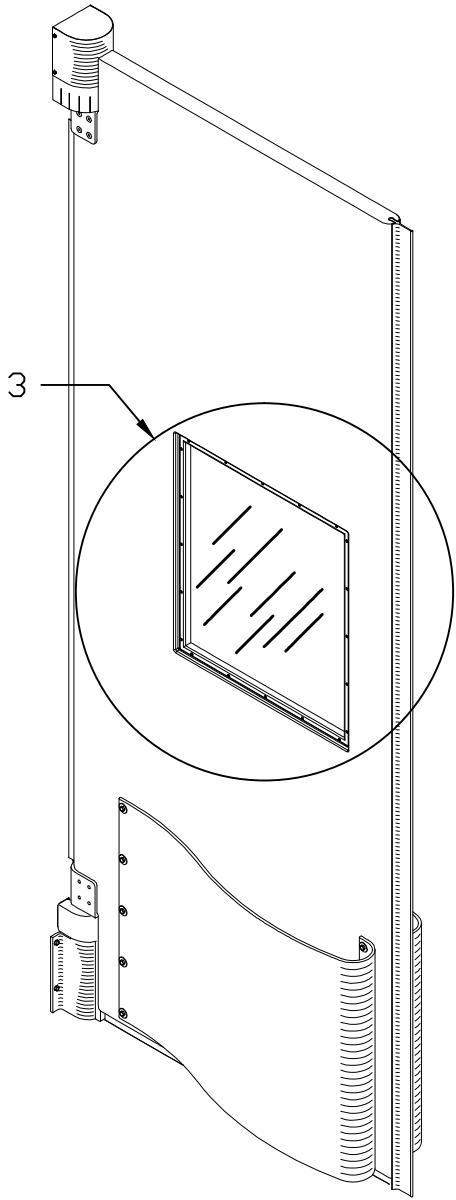
- Durulite One Piece Window Frame ABS Black 22" x 22" # D04PP22X22
  - Screw, PH Machine 1/4-20 x 3/4 Phillips, 18-8 Stainless Steel, Black Zinc w/Nylon Patch # D0MFS043BK
- Qty:

DURULITE INDUSTRIAL & STANDARD  
Window Kits Only

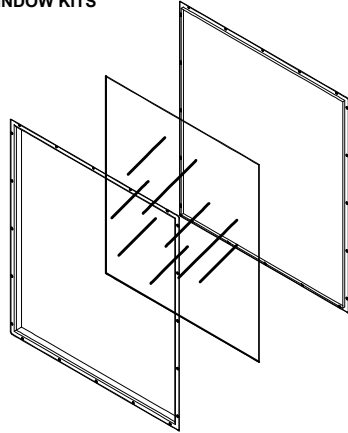
DURULITE KITS

**Chase Doors**

A SENNECA COMPANY



**WINDOW KITS**



**12" x 30" ADA Window PKG, (24" # D0MKT1230A**

- Window Frame, 12 x 30 Black ABS # D0MPP01230
- Screw, PH Machine 1/4-20 x 3/4 Phillips, 18-8 Stainless Steel, Black Zinc w/Nylon Patch # D0MFS043BK
- Tape, Peep 1/16" x 3/8" Black Foam SST20 # D0MADPEEPT
- Polycarbonate, 1/4" x 12" x 30" ADA: Cut Size, 1/4" x 13" x 31" Clear # D0MTM01230

Qty:

**DURULITE 16" X 30" ADA WINDOW PKG, (30" # D0MKT1630A**

- Window Frame, 16 x 30 # D0MPP01630
- Screw, PH Machine 1/4-20 x 3/4 Phillips, 18-8 Stainless Steel, Black Zinc w/Nylon Patch # D0MFS043BK
- Tape, Peep 1/16" x 3/8" Black Foam SST20 # D0MADPEEPT
- Polycarbonate, 1/4 x 16 X 30 Actual Size: 17 x 31 # D0MTM01630

Qty:

**DURULITE 20" X 30" ADA WINDOW PKG, (32" # D0MKT2030A**

- Window Frame, 20 x 30 Black ABS # D0MPP02030
- Screw, PH Machine 1/4-20 x 3/4 Phillips, 18-8 Stainless Steel, Black Zinc w/Nylon Patch # D0MFS043BK
- Polycarbonate, 1/4 x 20 x 30 ADA, Cut Size: 1/4" x 21" x 31" # D0MTM02030

Qty:

**DURULITE 24" X 30" ADA WINDOW PKG, (36" # D0MKT2430A**

- Window Frame, 24 x 30 Black ABS # D0MPP02430
- Screw, PH Machine 1/4-20 x 3/4 Phillips, 18-8 Stainless Steel, Black Zinc w/Nylon Patch # D0MFS043BK
- Polycarbonate, 1/4 x 24 x 30 ADA - Cut Size is 25 x 31 # D0MTM02430

Qty:

**WINDOW PKG W/TRIM, SGL 24 DR # D0MTM7024P**

- Extrusion, Peep Trim 98" Aluminum, Painted Black, Die 48629 # D0MAL02207
- Peep, 24" Cut Size: 11 3/4 x 23 5/8 Window # D0MTM07024
- Screw, Oval SHT MTL #6 x 3/4 #1 SQ DRV Needle Point, 18-8 Stainless Steel Black Ecoat, 10M # D0MFS00137
- Tape, Peep 1/16" x 3/8" Black Foam SST20 # D0MADPEEPT

Qty:

**WINDOW PKG W/TRIM, SGL 54 & 60 DR # D0MTM7060P**

- Extrusion, Peep Trim 98" Aluminum, Painted Black, Die 48629 # D0MAL02207
- Peep, 60" Cut Size: 1/8" x 23 3/4" x 23 3/4" Window # D0MTM07060
- Screw, Oval SHT MTL #6 x 3/4 #1 SQ DRV Needle Point, 18-8 Stainless Steel Black Ecoat, 10M # D0MFS00137
- Tape, Peep 1/16" x 3/8" Black Foam SST20 # D0MADPEEPT

Qty:

**DURULITE SEALED DOUBLE PANE WINDOW KIT # D0MKT30SDP**

- Extrusion, 1.125" W Double Pane Peep Trim 98" Painted Black # D0MALPTDP
- Double Pane Window, 14" x 22" Poly Insert # D0MDP14X22
- Screw, Oval SHT MTL #6 x 3/4 #1 SQ DRV Needle Point, 18-8 Stainless Steel Black Ecoat, 10M # D0MFS00137
- Tape, Peep 1/16" x 3/8" Black Foam SST20 # D0MADPEEPT

Qty:

**DURULITE SEALED DOUBLE PANE WINDOW KIT # D0MKT32SDP**

- Extrusion, 1.125" W Double Pane Peep Trim 98" Painted Black # D0MALPTDP
- Double Pane Window, 16" x 22" Poly Insert # D0MDP16X22
- Screw, Oval SHT MTL #6 x 3/4 #1 SQ DRV Needle Point, 18-8 Stainless Steel Black Ecoat, 10M # D0MFS00137
- Tape, Peep 1/16" x 3/8" Black Foam SST20 # D0MADPEEPT

Qty:

**DURULITE DOUBLE PANE WINDOW KIT (36" 39. # D0MKT368DP**

- Extrusion, Peep Trim 98" Aluminum, Painted Black, Die 48629 # D0MAL02207
- Peep, 36" Clear Window, Cut Size: 1/8" x 24-3/4" x 23-3/4" # D0MTM07036
- Screw, Oval SHT MTL #6 x 3/4 #1 SQ DRV Needle Point, 18-8 Stainless Steel Black Ecoat, 10M # D0MFS00137
- Tape, Peep 1/16" x 3/8" Black Foam SST20 # D0MADPEEPT

Qty:

**DURULITE DOUBLE PANE WINDOW KIT (30" DOO # D0MKT030DP**

- Extrusion, 1.125" W Double Pane Peep Trim 98" Painted Black # D0MALPTDP
- Peep, 30" Cut Size: 1/8" x 15-3/4" x 23-13/16", Window Clear # D0MTM07030
- Screw, Oval SHT MTL #6 x 3/4 #1 SQ DRV Needle Point, 18-8 Stainless Steel Black Ecoat, 10M # D0MFS00137
- Tape, Peep 1/16" x 3/8" Black Foam SST20 # D0MADPEEPT

Qty:

**DURULITE SEALED DOUBLE PANE WINDOW KIT # D0MKT36SDP**

- Extrusion, Peep Trim 98" Aluminum, Painted Black, Die 48629 # D0MAL02207
- Double Pane Window, 20" x 22" Poly Insert # D0MDP20X22
- Screw, Oval SHT MTL #6 x 3/4 #1 SQ DRV Needle Point, 18-8 Stainless Steel Black Ecoat, 10M # D0MFS00137
- Tape, Peep 1/16" x 3/8" Black Foam SST20 # D0MADPEEPT

Qty:

DURULITE INDUSTRIAL & STANDARD  
Window Kits Only

DURULITE KITS

 **Chase Doors**

A SENNECA COMPANY