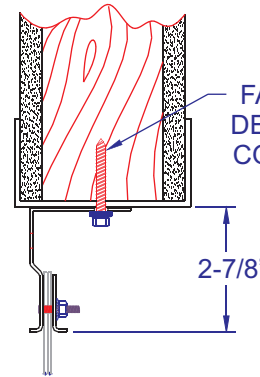
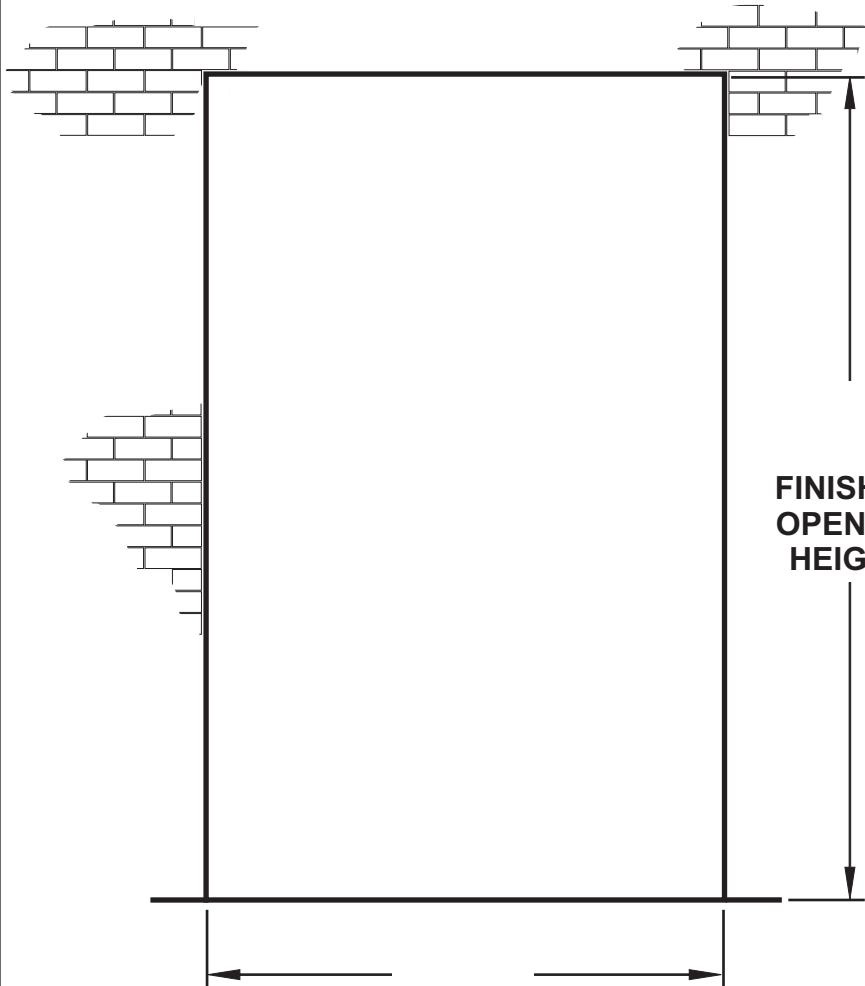
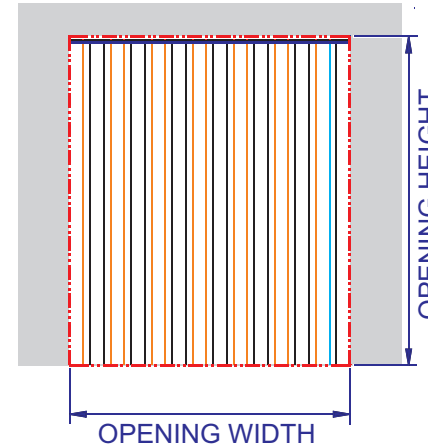
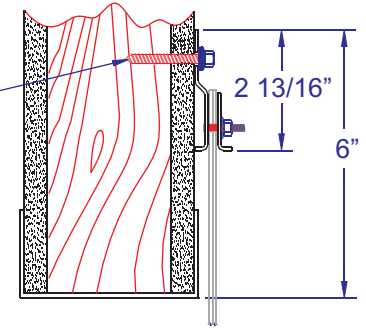


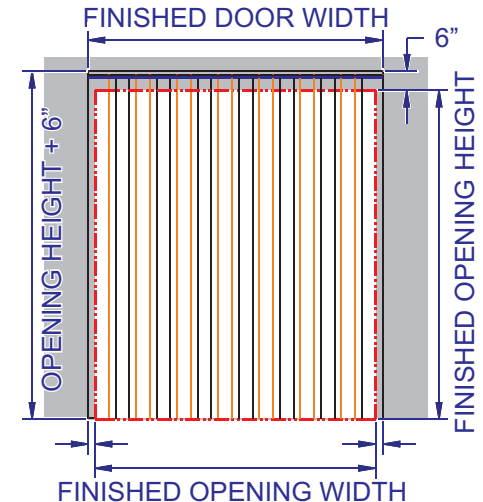
STRIP DOOR SUBMITTAL FORM
(EconoTrack "Hole Punch" STYLE)



FASTENERS AS DETERMINED BY CONSTRUCTION MATERIAL



"IN JAMB" MOUNT
 (Fits inside of Finished Opening)



"WALL" MOUNT
 (Fits outside of Finished Opening)

FINISHED OPENING WIDTH

Please Select a Mounting Style


Finished Opening Size: W x H

"IN JAMB" MOUNT

Strip Door Size: W x H

"WALL" MOUNT

Strip Type	Strip Width	Material Thickness	Overlap Inches	Overlap %

 Chase Doors World's Leading Manufacturer Of Traffic Doors Cincinnati Ohio, and Redmond Oregon • Phone Toll Free: 1-800-543-4455			
		MODEL #:	REP #:
JOB:			
APPROVED BY:	DATE:		
SCALE: N.T.S.	DRAWN BY: MLW	DRAWING #:	REVISION #: