

Durulite® - (42" & 19") Limiting Post Installation Instructions

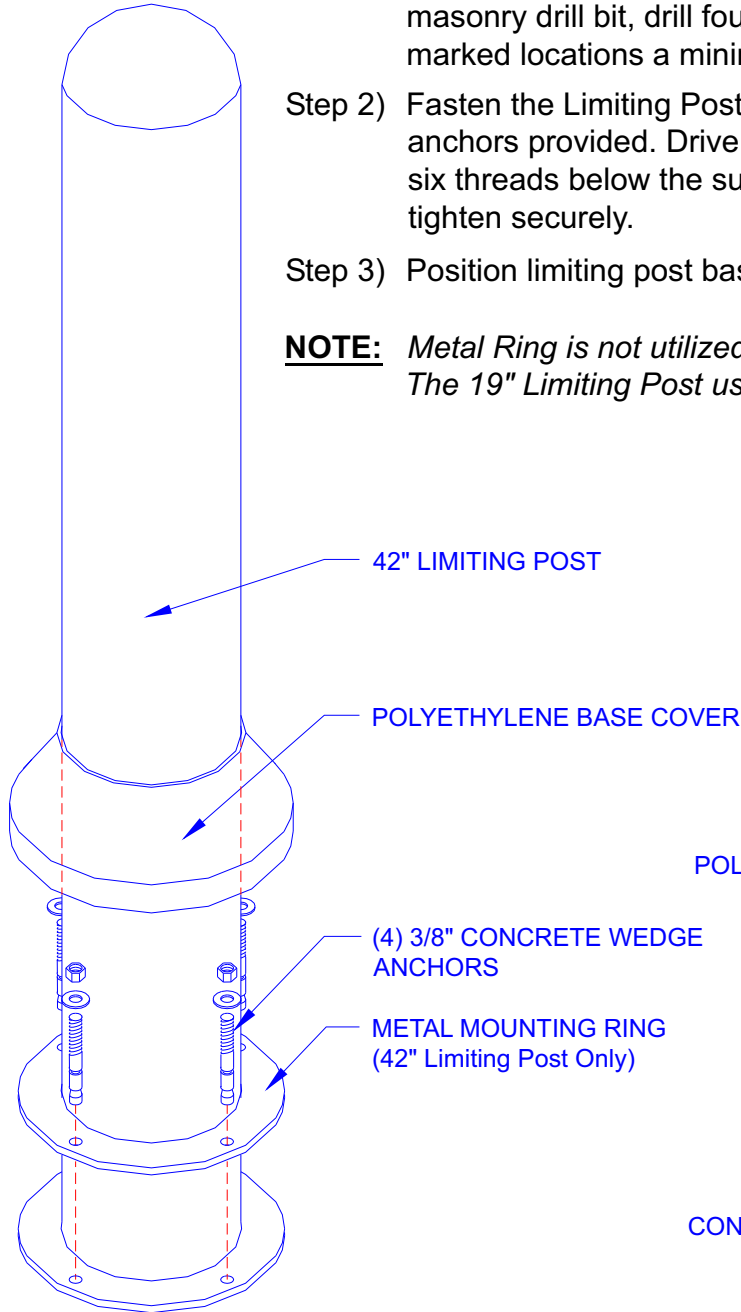
INSTRUCTIONS:

Step 1) Place the Durulite Limiting Post in the proper location where it is to be installed (see "Limiting Post Location Chart"). Use the base of the Limiting Post as a template and mark the hole locations on the floor. Using a 3/8" masonry drill bit, drill four holes (3 holes for 19" Limiting Post) at the marked locations a minimum of 3" deep.

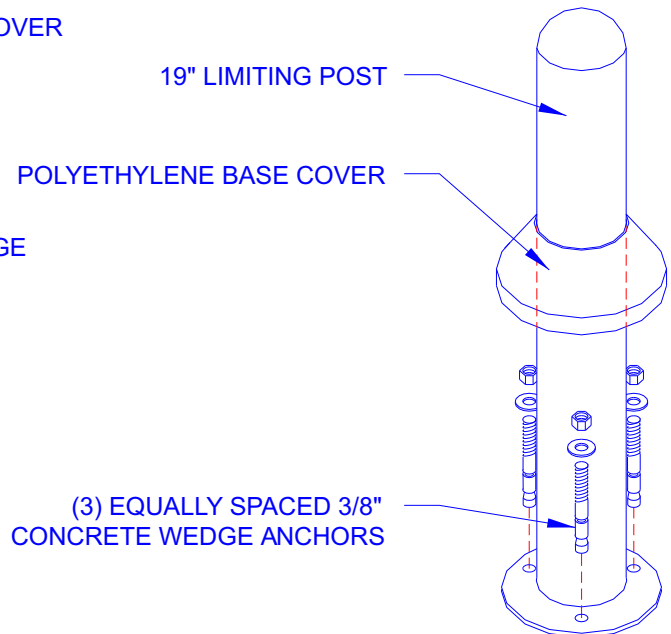
Step 2) Fasten the Limiting Post to concrete floor with the 3/8" x 3" wedge anchors provided. Drive the anchors into the concrete with a minimum of six threads below the surface. Place washers and nuts onto anchors and tighten securely.

Step 3) Position limiting post base cover over base to hide fasteners.

NOTE: *Metal Ring is not utilized on the 19" Limiting Post.
The 19" Limiting Post uses 3 "Equally Spaced" Wedge Anchors.*



42" Limiting Post



19" Limiting Post