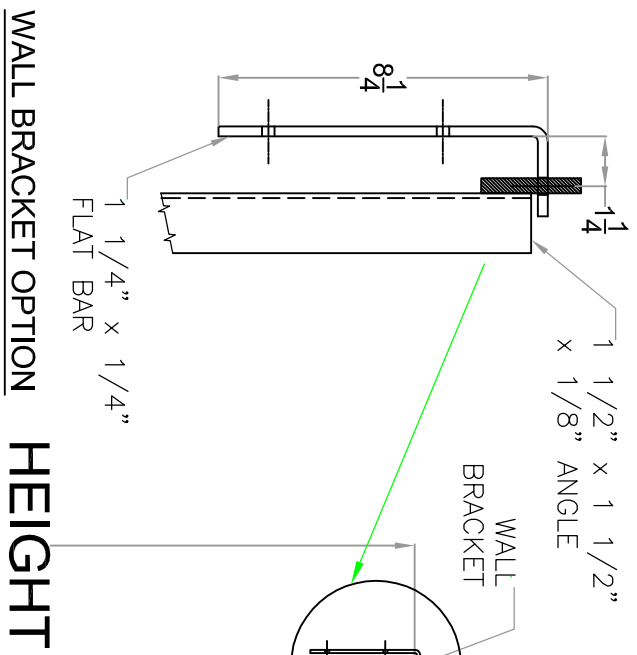


# SINGLE FOLDING GATE

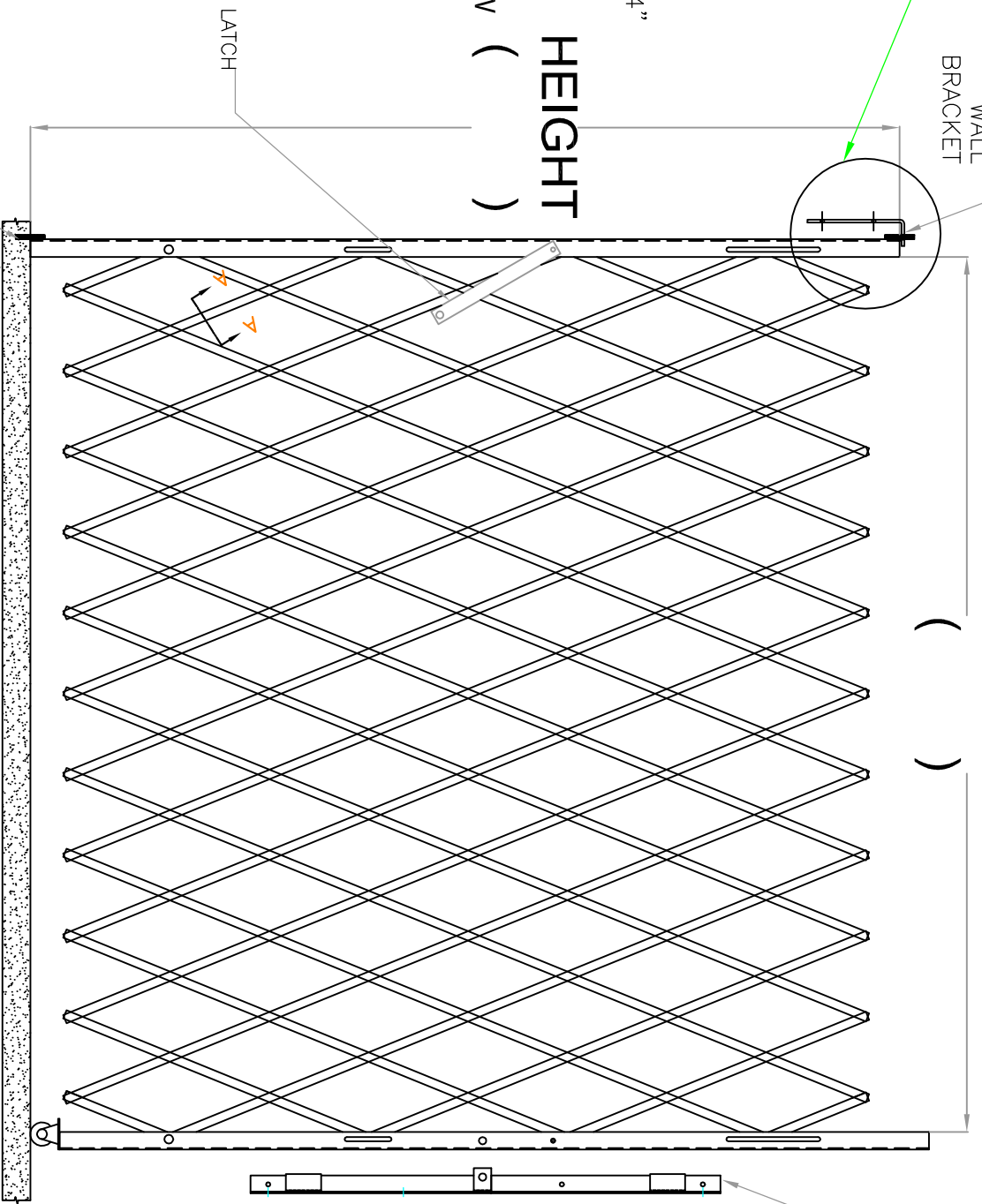
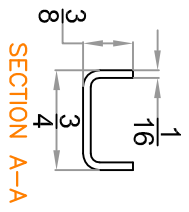
WIDTH ( )



WALL BRACKET OPTION HEIGHT ( )

SELECT (X) FROM BELOW

(X)	WALL BRACKET OPTION
	FLUSH (Shown in the drawing)
	6" EXTENDED
	9" EXTENDED
	12" EXTENDED



Ø3/8" PIVOT PIN  
WELDED TO THE ANGLE  
(DRILL HOLE IN THE  
FLOOR)

REF.	NOTES:	SCALE:	Not to Scale	TITLE	SINGLE FOLDING GATE
0	REV. "0" ORIGINAL RELEASE - 10/13/09	GAUGE:	see notes	FILE NAME	FOLDING GATE
		MATL.:	see notes	DWG. NUMBER	600XXX
		DATE:	10/13/09	REV.	0
		DWN. BY:	JBrooks/K-Patel		
		CKD. BY:			
		REVISIONS:	3 PLACES		
		DESCRIPTORS:	31' 41"		
			3000		
			41"		

