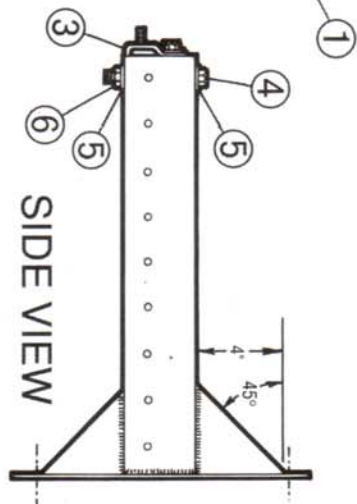
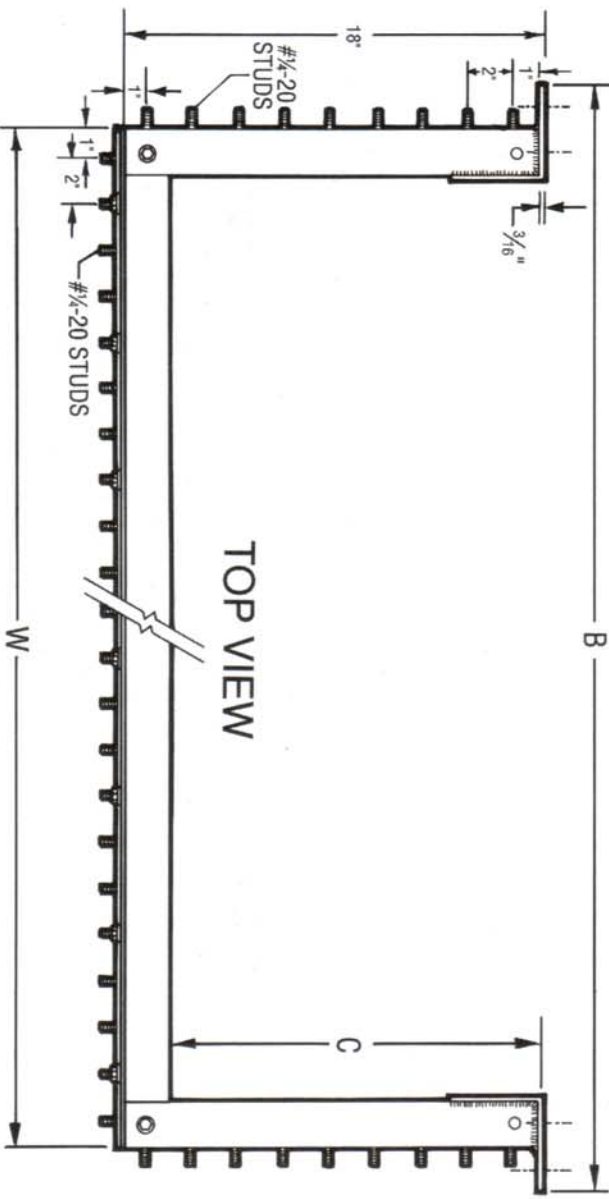


FRONT VIEW



SIDE VIEW

✓	W	A	B	C	TUBING
	8'-0"	7'-8"	8'-8"	0'-16"	RT2" x 3" x 0.125"
	10'-0"	9'-8"	10'-8"	0'-16"	RT2" x 3" x 0.125"
	12'-0"	11'-8"	12'-8"	0'-16"	RT2" x 3" x 0.125"
	14'-0"	13'-8"	14'-8"	0'-15"	RT3" x 3" x 0.125"
	16'-0"	15'-8"	16'-8"	0'-15"	RT3" x 3" x 0.125"



TOP VIEW

Part No.	Required	Material	Description
1	2	A36 ASTM	18" MOUNTING BRACKET
2	1	A500 ASTM	STRUCTURAL TUBE
3	1	ASTM-A-527	S.L. HARDWARE
4	2	ASTM-B18.2.1	1/2" HEX HEAD BOLT
5	4	DIN-125	1/2" FLAT WASHER
6	2	ASTM-B18.2.1	1/2" HEX NUT
7		#96	12-14 x 1/2" TEKS/3
8		#12-SAE	ZINC PLATED WASHER
9		ASTM-A-527	RETAINER BAR
10		ASTM-B18.2.1	1/4" -20 HEX S.L. NUT



5350 Campbells Run Road • Pittsburgh, PA 15205-9738
 800-833-5005 • 412-787-9750

OVERHEAD STRIP DOOR MOUNTING BRACKET
18" PROJECTION