

# SPEC SHEET PROLINE 300I

Quote/Order# \_\_\_\_\_

Company Name: \_\_\_\_\_

Attention: \_\_\_\_\_

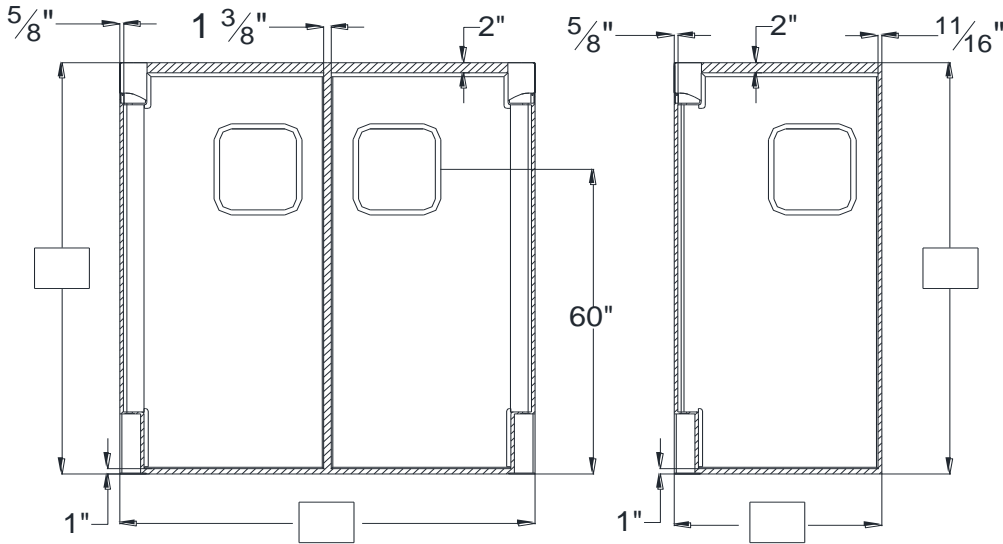
Email: \_\_\_\_\_

Phone#: \_\_\_\_\_

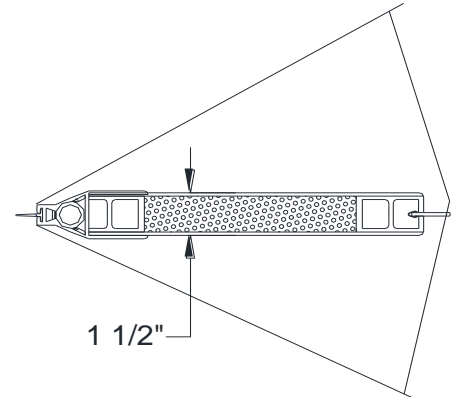
Job Name: \_\_\_\_\_

## PAIR

## SINGLE



CROSS SECTION



**Fill in Opening Size in the Blanks Provided Above**

**STANDARD SPECIFICATIONS:** Door body is 1-1/2" thick with high impact, thermoplastic material surface, bonded to a high strength PVC frame with a foam core. Provided with full perimeter seal. Variety of window frame sizes available. Door assembly includes the Retailer V-Cam Hardware with 1-7/8" Tek Screws for jamb by others.

**INSTALLATION DETAILS:** Jambs must be plumb and square. Minimum double 2 x 4 inch wood construction or equivalent. Hollow metal jambs should be reinforced at hinge locations.

**SPECIFIC DETAILS FOR DOOR CONSTRUCTION:**

DOOR COLOR:  Forest Green  Cadet Blue  White  Metallic Gray  Cloud Gray  
 Chocolate Brown  Red  Medium Brown  Royal Blue  Navy  Black  Beige  
 Off White  Fudge Brown  Gray

FRAMED WINDOW:  5 X 43  10 X 16  10 X 30  12 X 18  16 X 16  17 X 23  
 Other: \_\_\_\_\_

PLATE: Specify Height: \_\_\_\_\_  
 Color/Material:  ABS - Black  ABS - Same As Door  Stainless Steel  Other \_\_\_\_\_

BUMPER: Standard Black Spring, Height:  12  18  24  30  36  42  
 Aluminum Bumper Strip:

OTHER SPECIFICATIONS: \_\_\_\_\_

APPROVED BY: \_\_\_\_\_

DATE: \_\_\_\_\_

**Chase Doors**