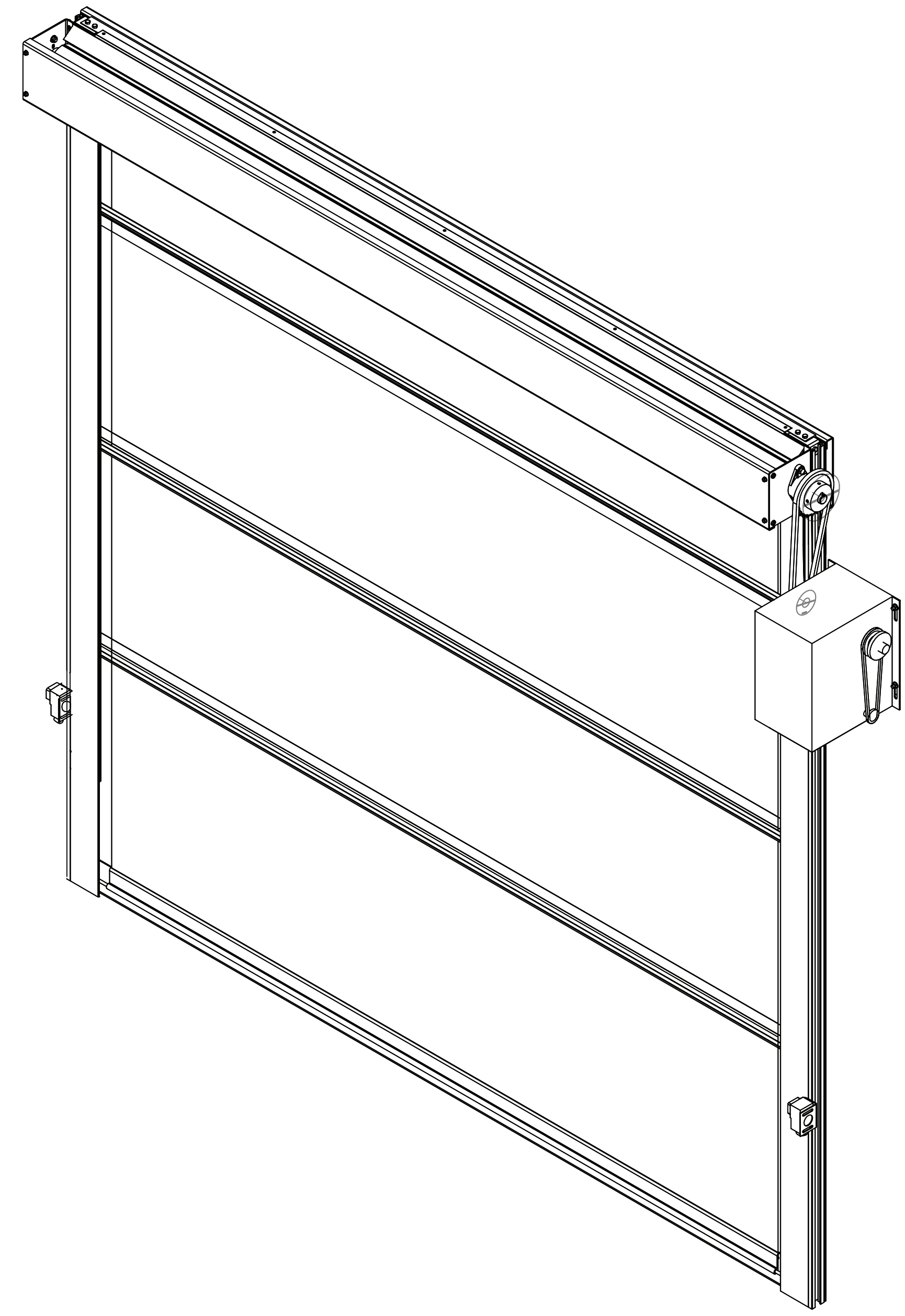
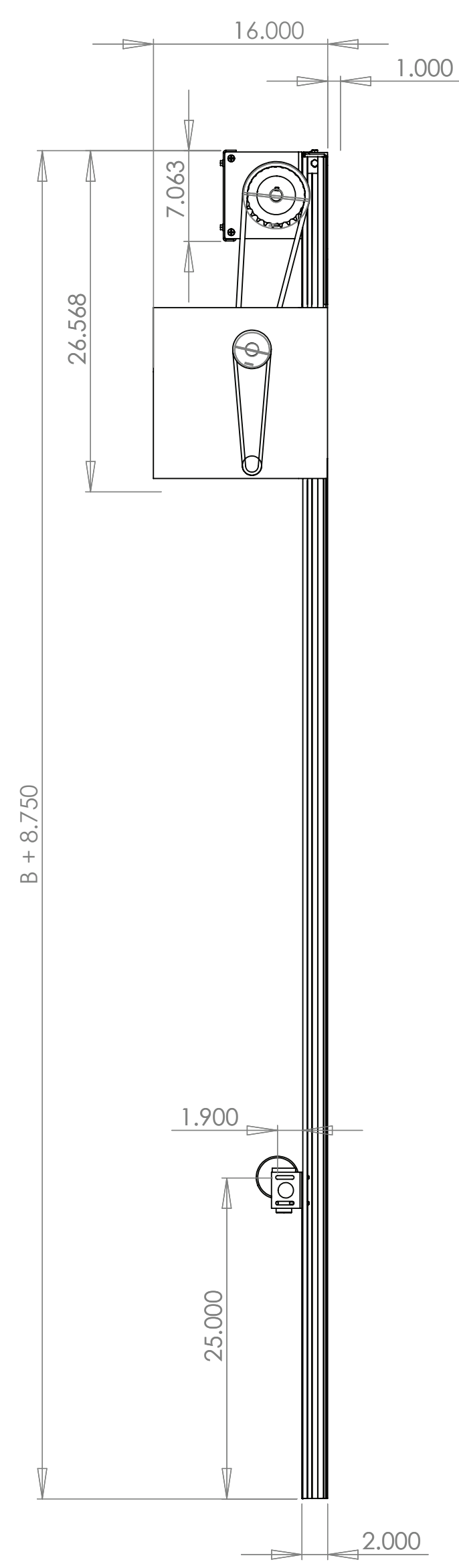
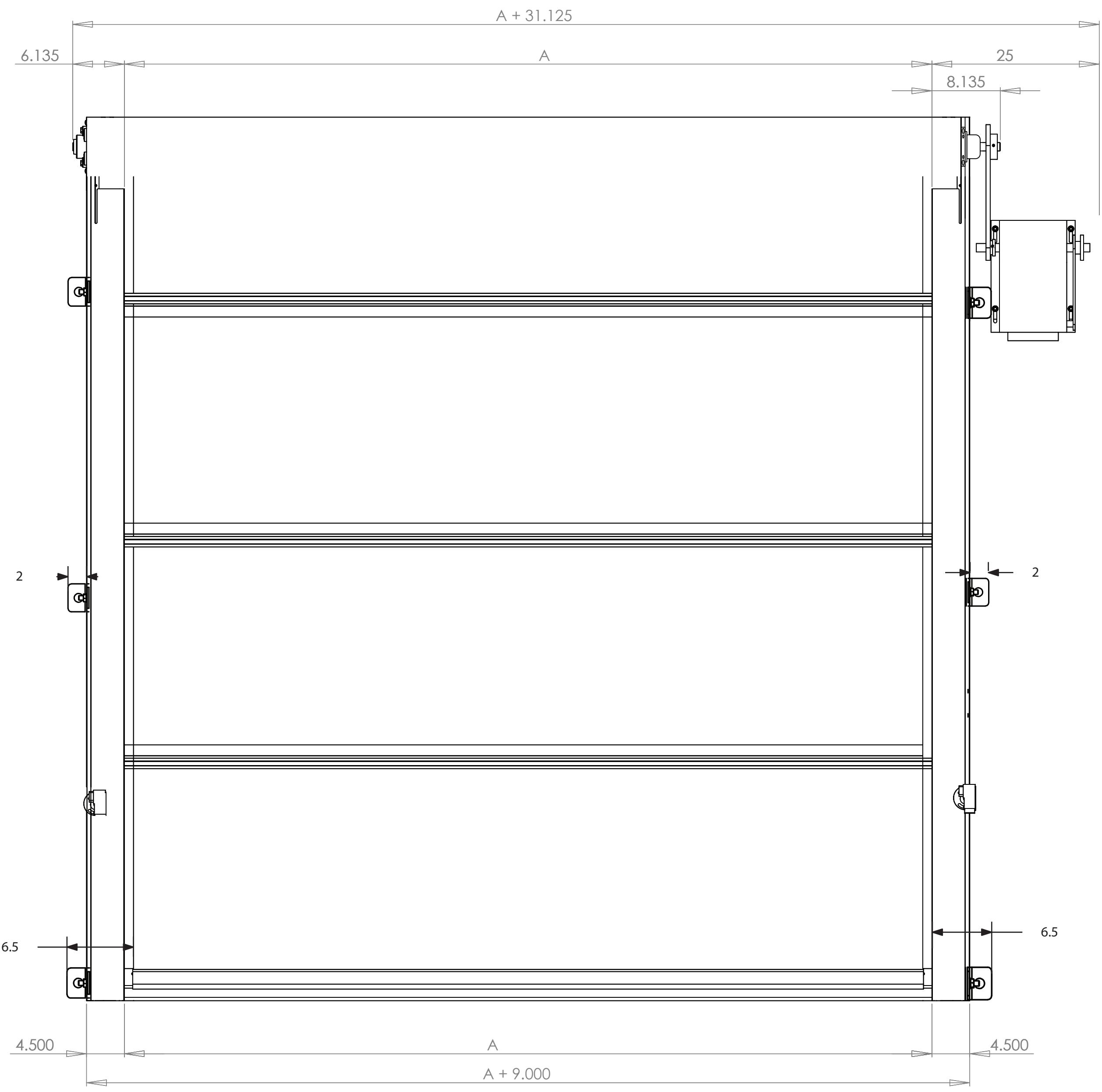
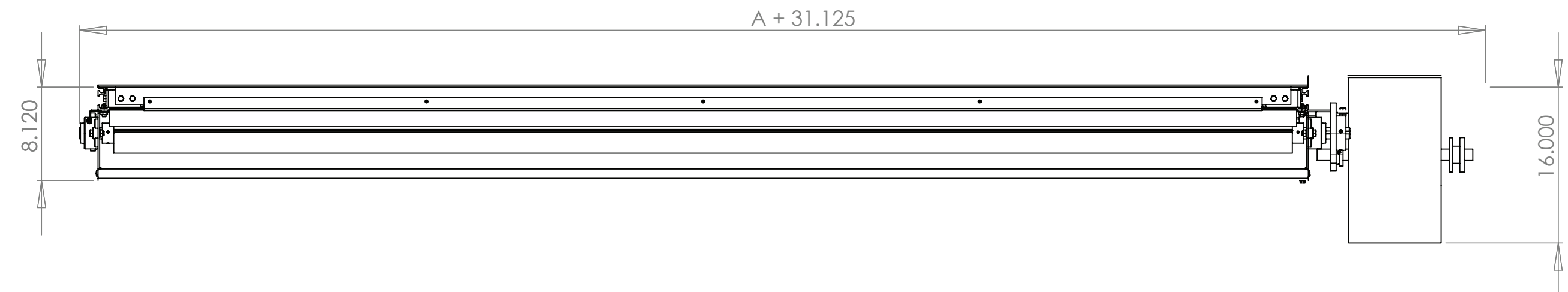


ITEM NO.	PART NUMBER	DESCRIPTION	JACK SHAFT OPERATOR/QTY.
1	3-100-0001	SIDE COLUMN ASSY., - LH. STD	1
2	3-100-0002	SIDE COLUMN ASSY. RH. STD. JACKSHAFT	1
3	3-100-0005	TOP SPREADER ASSY., STD	1
4	3-100-0023	DRUM SUPPORT BKT., JACKSHAFT MOTOR	2
5	3-100-0004	DOOR PANEL ASSY., UP TO 120"	1
6	3-100-0006	FRONT SPREADER ASSY. OPTIONAL	1
7	4-100-0050	JACKSHAFT OPERATOR	1
8	4-100-0053	SPROCKET FOR 1" DIAMETER	1
9	4-100-0052	SPROCKET FOR 1" DIAMETER	1
10	3-100-0010	DRUM ASSY. JACKSHAFT OPERATOR	1
11	4-100-0057	MACHINE KEY 1/4 X 1/4 X 2 STEEL	1
12	4-100-0061	CHAIN FOR TWO SPROCKETS	1
13	4-100-0091	PHOTO EYE	1
14	4-100-0088	PHOTO EYE	1

A: DOOR OPENING WIDTH
B: DOOR OPENING HEIGHT



PROPRIETARY AND CONFIDENTIAL
TMI INTERNATIONAL LLC
3350 CAMPBELLS RUN ROAD
PITTSBURGH, PA 15205-9738
THE INFORMATION CONTAINED IN THIS
DRAWING IS THE SOLE PROPERTY OF
TMI INTERNATIONAL LLC ANY
REPRODUCTION IN PART OR AS A WHOLE
WITHOUT THE WRITTEN PERMISSION OF
TMI INTERNATIONAL LLC IS PROHIBITED.

UNLESS OTHERWISE SPECIFIED		NAME	DATE
DRAWN			
CHECKED			
ENG APPR			
MFG APPR			
G.A.			
COMMENTS:	EXTERNAL MOTOR DOOR OPERATOR		
FINISH			
APPLICATION			

TMI INTERNATIONAL LLC		3350 CAMPBELLS RUN ROAD		PITTSBURGH, PA 15205-9738	
TITLE: DOOR ASSY. JACK SHAFT OPERATOR					
SIZE	DWG. NO.	REV			
D	2 - 100 - 0004				
SCALE:	WEIGHT:	SHEET 1 OF 1			