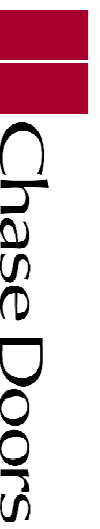
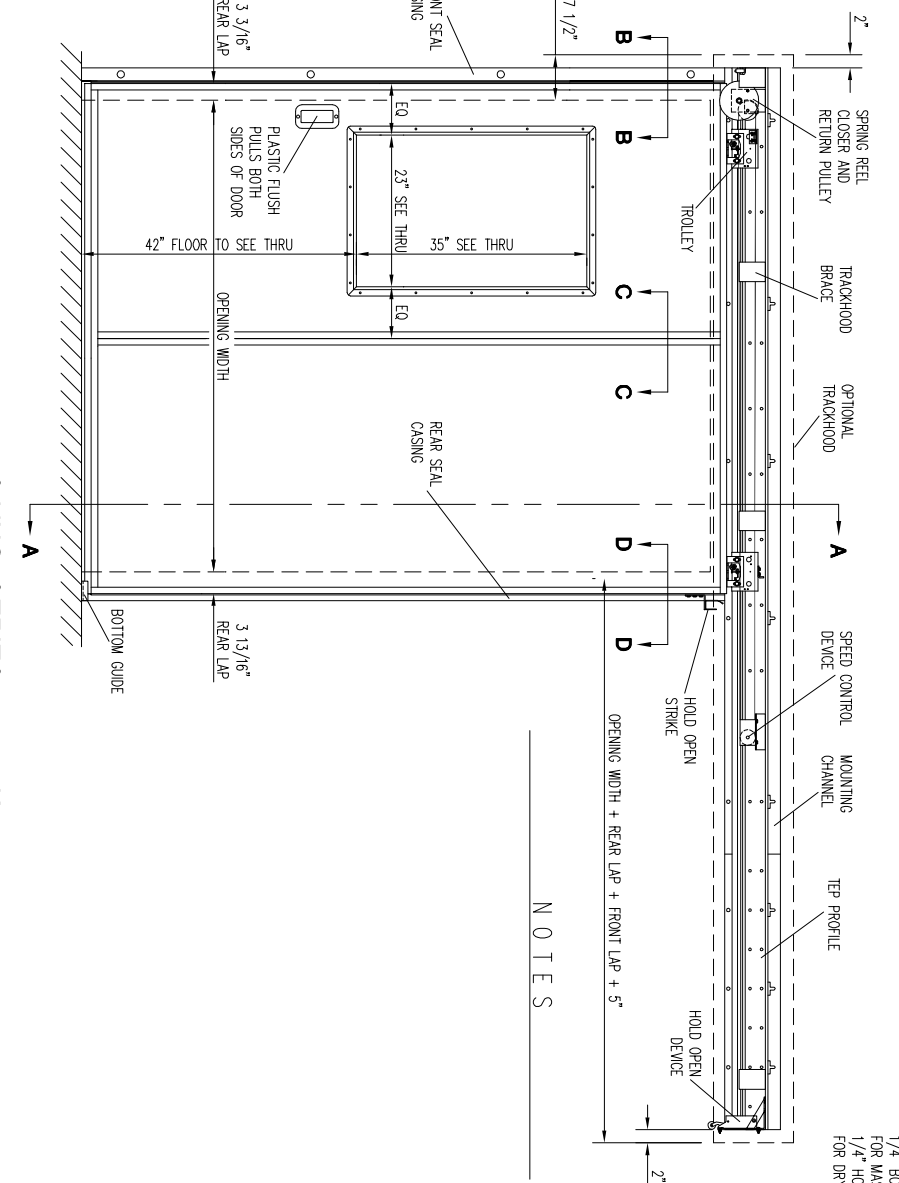
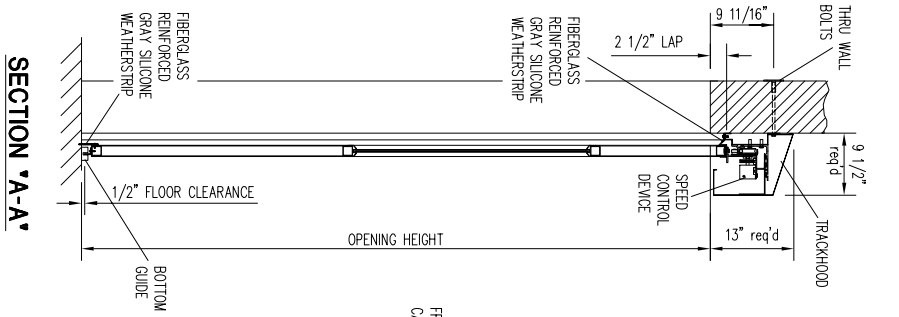


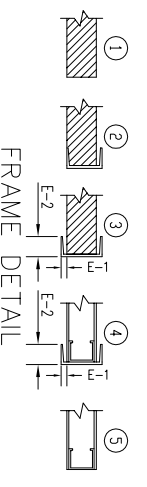
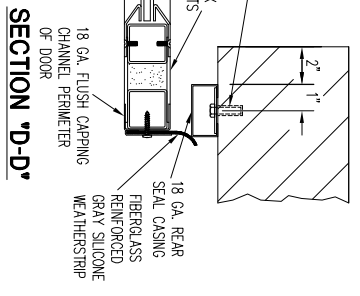
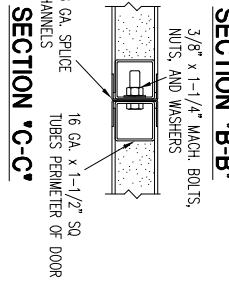
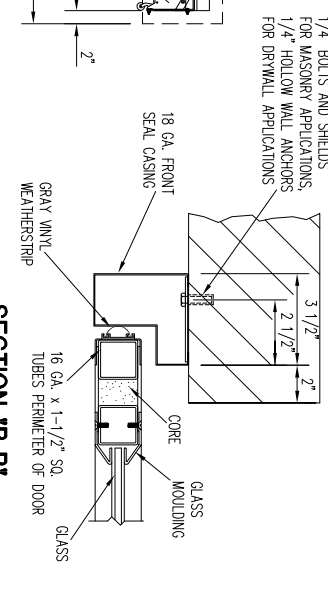
TAG MARK	DOOR TYPE	OPENING WIDTH	OPENING HEIGHT	SLIDE PLAN	FINISH DOOR WIDTH	FINISH DOOR HEIGHT	NO. OF PANELS	WALL THICKNESS	FRAME DETAIL	E-1	E-2	CLEARANCE REQ'D			GLASS LITE	TRACK-HOOD	WEATHER-STRIPPING	REMARKS
												CLS. SIDE	OPNG. SIDE	HEAD				
<p>ARCH: _____ NO. PRINTS _____ FOR _____ DATE _____ REVISED _____</p> <p>G.C. _____ CHASE ORDER NO: _____</p> <p>JOB _____ DRAWN BY: _____</p> <p>SOLD TO _____ SHEET _____ OF _____</p>																		



Tel: (800) 543-4455
www.chasedoors.com
FAX: (800) 978-6570



NOTES



SAINO SERIES 67000K
NON-LABELED DOOR WITH SELF CLOSING SYSTEM
MANUAL DOOR

SLIDE PLAN

