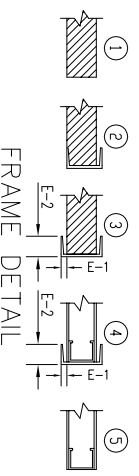
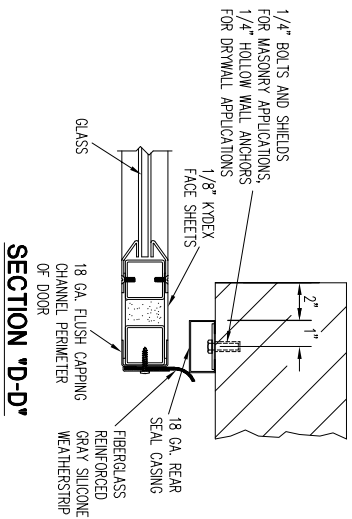
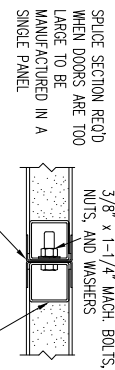
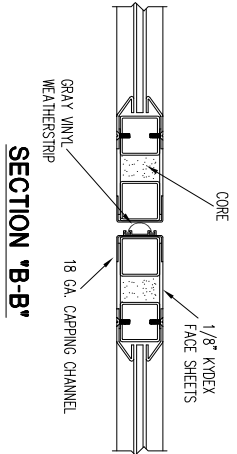


NOTES



**SAINO SERIES 67001K**  
**NON-LABELED DOOR WITH SELF CLOSING SYSTEM**  
 MANUAL DOOR

© CENTER PARTING  
 SLIDE PLAN

TAG MARK	DOOR TYPE	OPENING		SLIDE PLAN	FINISH DOOR		NO. OF PANELS	WALL THICKNESS	FRAME DETAIL	E-1	E-2	CLEARANCE REQ'D		GLASS LITE	TRACK-HOOD	WEATHER-STRIPPING	OPERATOR	BATTERY BACKUP	LOCKING SYSTEM	REMARKS	
		WIDTH	HEIGHT		WIDTH	HEIGHT						OPENING, SIDE	HEAD								

Tel: (800) 543-4455  
 www.chasedoors.com  
 FAX: (800) 978-6570

ARCH: \_\_\_\_\_ NO. PRINTS \_\_\_\_\_ FOR \_\_\_\_\_ DATE \_\_\_\_\_ REVISED \_\_\_\_\_

G.C. \_\_\_\_\_ CHASE ORDER NO: \_\_\_\_\_

JOB \_\_\_\_\_ DRAWN BY: \_\_\_\_\_

SOLD TO \_\_\_\_\_ SHEET \_\_\_\_\_ OF \_\_\_\_\_