



Chase Doors

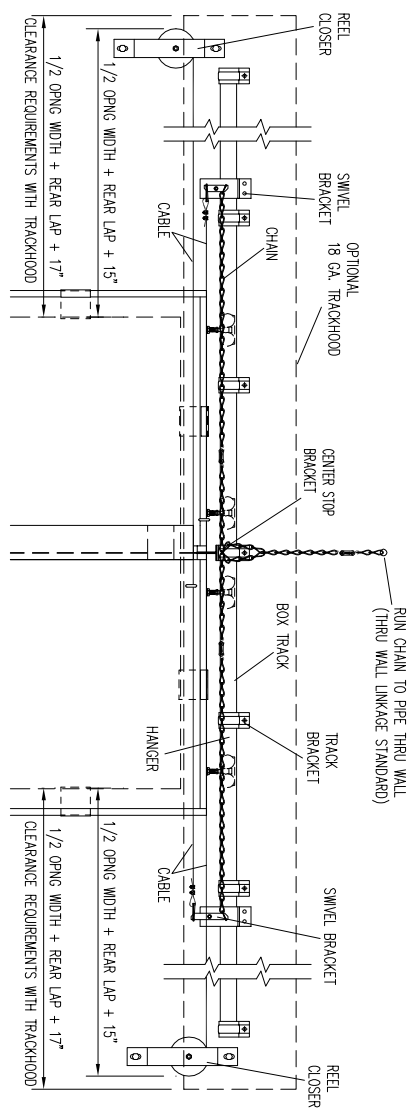
Tel: (800) 543-4455
www.chasedoors.com
FAX: (800) 978-6570

SAINO SERIES 1001
SAINO SERIES 2001, 250 F. TEMP. RISE
U.L. LABELED MODULAR DOORS

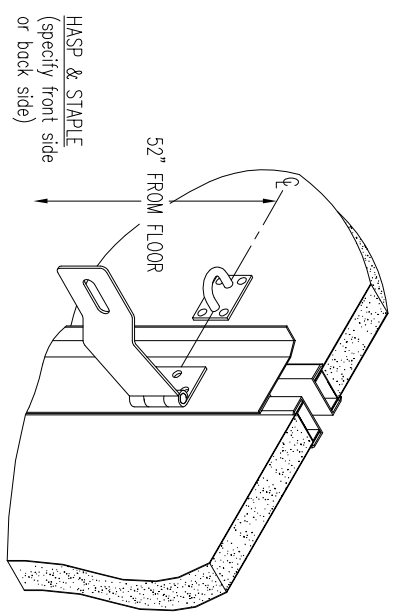
JOB	CUSTOMER NO:	NO. PRINTS	FOR	DATE	REVISED
SOLD TO	CHASE ORDER NO:				
	DRAWN BY:				
	SHEET _____ OF _____				

ALTERNATE CLOSING SYSTEMS

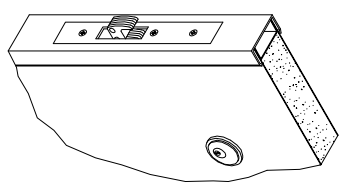
REEL CLOSING SYSTEM



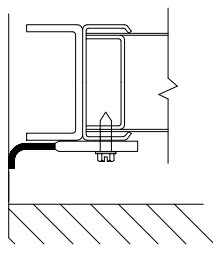
SPECIAL NOTE: FOR OPENINGS LARGER THAN 16'-0" x 8'-0", ADD 3" TO OPENING SIDE CLEARANCES



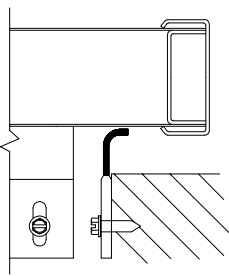
MORTISED LOCK
(cylinders one or both sides of door)



DUAL PURQUETER W/STRIP
DOOR BOTTOM



DUAL PURQUETER W/STRIP
HEAD & JAMBS



PERIMETER WEATHERSTRIPPING

OPTIONAL ITEMS