



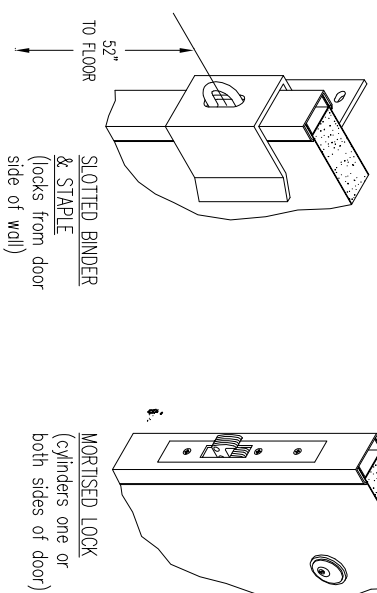
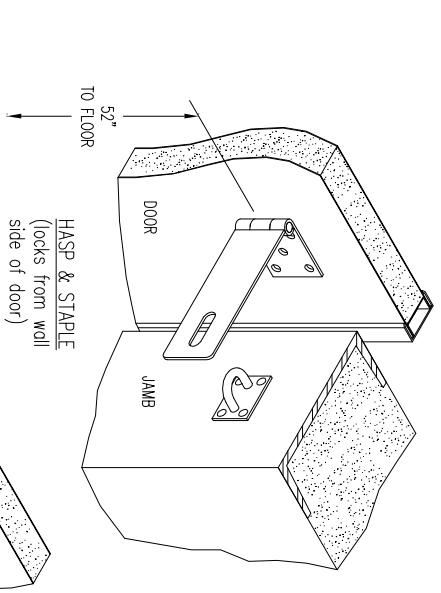
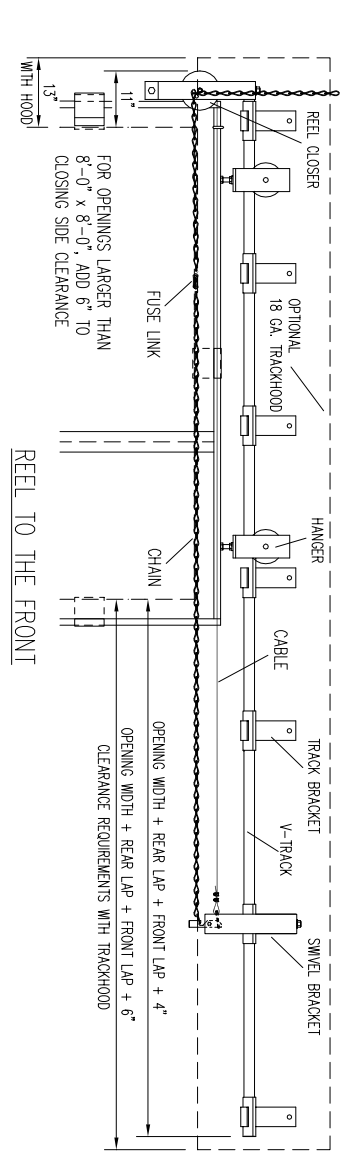
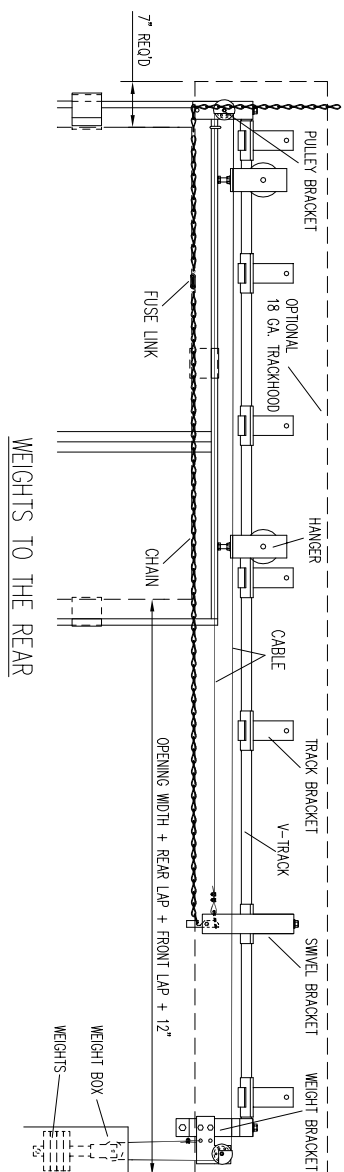
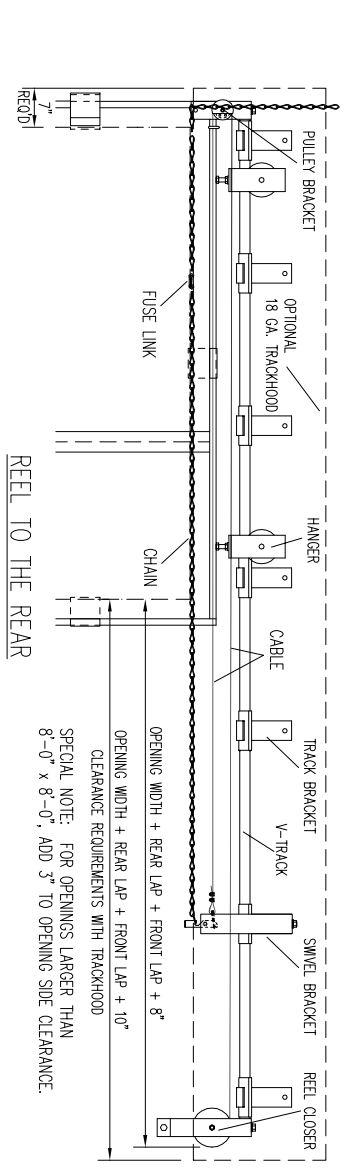
**Chase Doors**

Tel: (800) 543-4455  
www.chasedoors.com  
FAX: (800) 978-6570

JOB	CUSTOMER NO:	NO. PRINTS	FOR	DATE	REVISED
SOLD TO	CHASE ORDER NO:				
	DRAWN BY:				
	SHEET OF				

**ALTERNATE CLOSING SYSTEMS**

**SAINO SERIES 3000**  
**SAINO SERIES 4000, 250° F. TEMP. RISE**  
U.L. LABELED MODULAR DOORS



**OPTIONAL ITEMS**

PERIMETER WEATHERSTRIPPING

DUAL DIAPHRAGM W/STRIP DOOR BOTTOM

DUAL DIAPHRAGM W/STRIP HEAD & JAMBS

