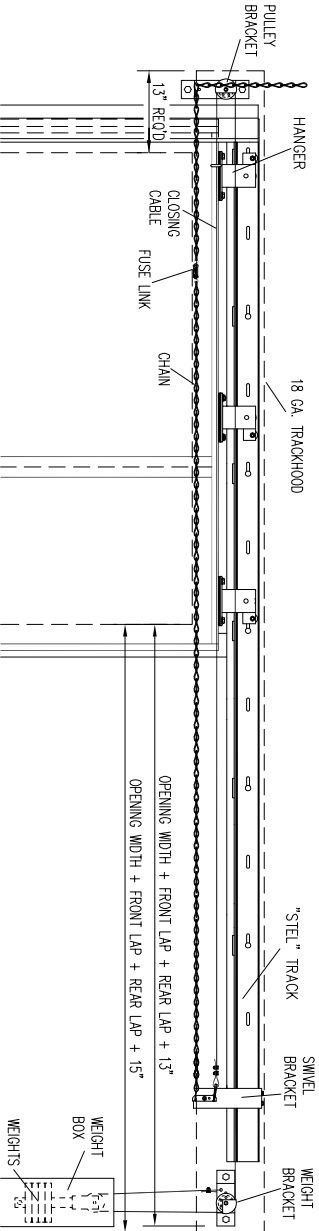
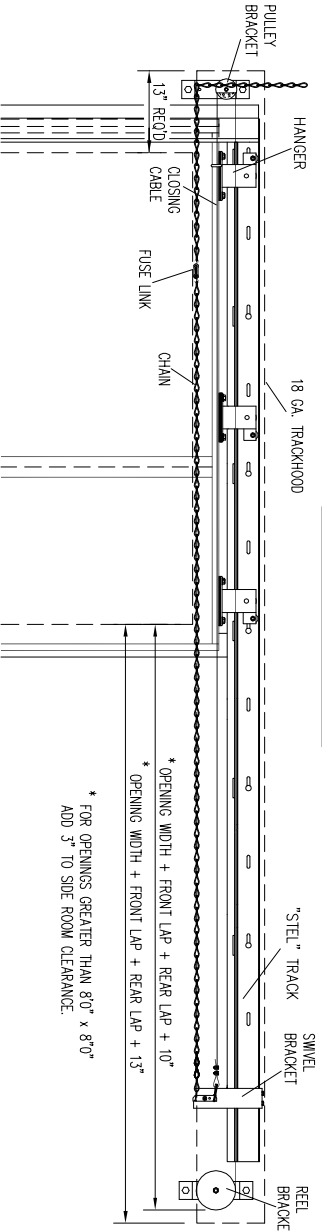


REEL TO THE FRONT



REEL TO THE REAR



REEL TO THE REAR

\* FOR OPENINGS GREATER THAN 8'0" x 8'0"  
ADD 3" TO SIDE ROOM CLEARANCE.

\* OPENING WIDTH + FRONT LAP + REAR LAP + 10"

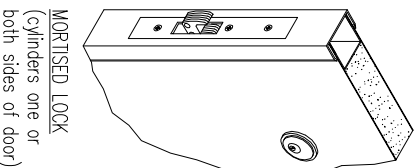
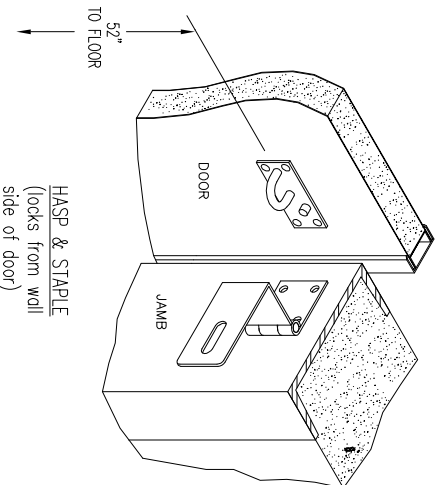
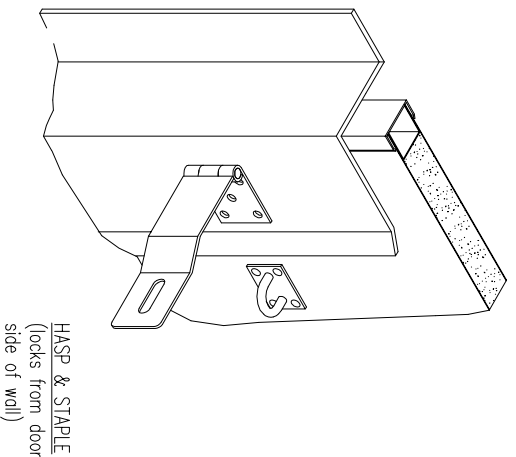
\* OPENING WIDTH + FRONT LAP + REAR LAP + 13"

**ALTERNATE CLOSING SYSTEMS**

**SAINO SERIES 50000**

4 HR. U.L. LABELED DOORS

**OPTIONAL ITEMS**



**Chase Doors**

Tel: (800) 543-4455

www.chasedoors.com

FAX: (800) 978-6570

JOB	CUSTOMER NO:	N.O. PRINTS	FOR	DATE	REVISED
SOLD TO	CHASE ORDER NO:				
	DRAWN BY:				
	SHEET _____ OF _____				