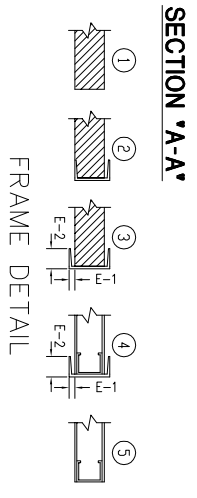
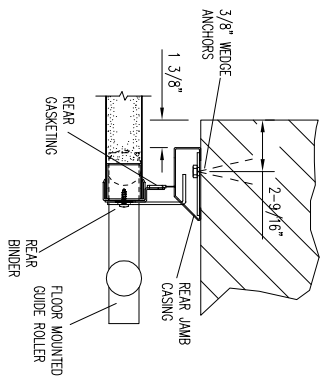
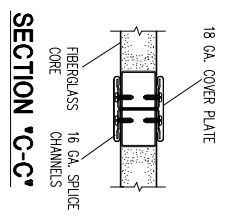
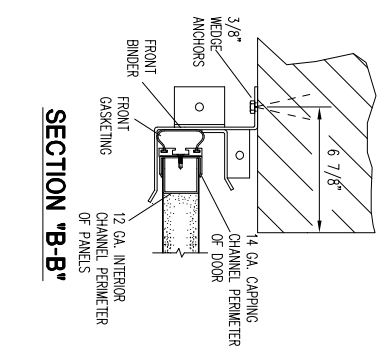
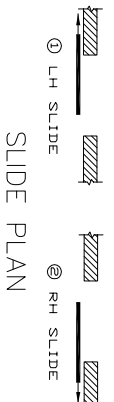


NOTES

- JAMB CASINGS ARE ATTACHED TO WALL WITH 3/8" WEDGE ANCHORS UNLESS OTHERWISE INDICATED.
- FOR ALTERNATE CLOSING SYSTEMS (WEIGHTS TO THE REAR, REEL TO THE FRONT, AND REEL TO THE REAR) SEE "SHEET 50000ALT".



SAINO SERIES 50000
 MANUAL DOOR WITH WEIGHT CLOSING SYSTEM
 4 HR. U.L. LABELED DOORS



TAG MARK	DOOR TYPE	OPENING		SLIDE PLAN	FINISH DOOR		NO. OF PANELS	WALL THICKNESS	FRAME DETAIL	E-1	E-2	WEIGHTS		REEL	CLEARANCE RECD	U.L. LABEL	CRUSH PLATES	TRACK-HOOD	WEATHER-STRIPPING	LOCKING SYSTEM	REMARKS
		WIDTH	HEIGHT		WIDTH	HEIGHT						FRONT	REAR								

Tel: (800) 543-4455
 www.chasedoors.com
 FAX: (800) 978-6570

JOB	SOLD TO	CUSTOMER NO:	NO. PRINTS	FOR	DATE	REVISED
		CHASE ORDER NO:				
		DRAWN BY:				
		SHEET ___ OF ___				