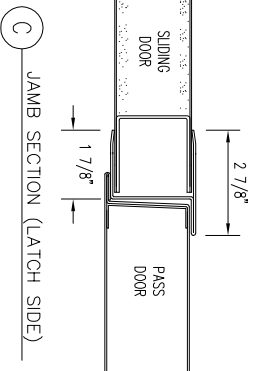
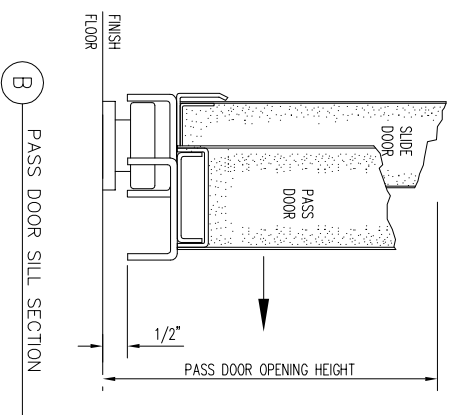
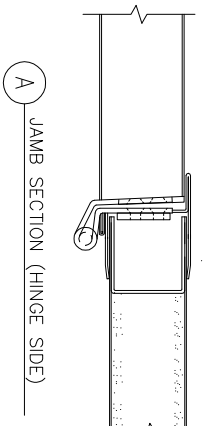
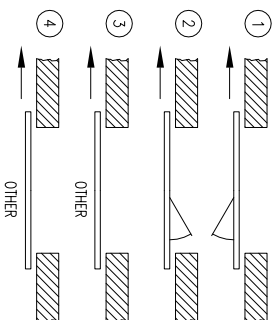


ELEVATION

**50010, 50011
FIRE RATED PASS DOOR**

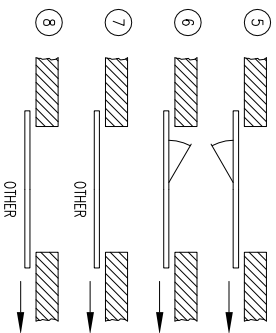


SINCE THERE ARE MANY POSSIBLE COMBINATIONS AVAILABLE, WE ONLY SHOW THE MOST COMMON IN DETAIL #1 AND #2. IT IS LEFT UP TO THE SPECIFIER AND CUSTOMER TO INDICATE A DIFFERENT PLAN IF THEY SO DESIRE.



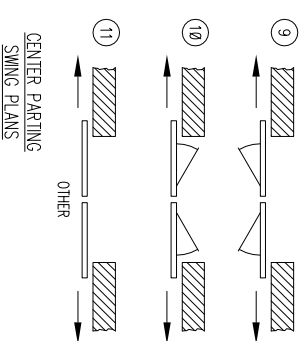
RH SLIDE SWING PLANS

SINCE THERE ARE MANY POSSIBLE COMBINATIONS AVAILABLE, WE ONLY SHOW THE MOST COMMON IN DETAIL #7 AND #8. IT IS LEFT UP TO THE SPECIFIER AND CUSTOMER TO INDICATE A DIFFERENT PLAN IF THEY SO DESIRE.



LH SLIDE SWING PLANS

SINCE THERE ARE MANY POSSIBLE COMBINATIONS AVAILABLE, WE ONLY SHOW THE MOST COMMON IN DETAIL #9 AND #10. IT IS LEFT UP TO THE SPECIFIER AND CUSTOMER TO INDICATE A DIFFERENT PLAN IF THEY SO DESIRE.



CENTER PARTING SWING PLANS

REMARKS

HARDWARE SCHEDULE

TAG MARK	DOOR TYPE	OPENING		SWING PLAN	VISION LITE
		WIDTH	HEIGHT		

JOB

N.O. PRINTS

FOR

DATE

REVISED

Tel: (800) 543-4455

www.chasedoors.com

FAX: (800) 978-6570

Chase Doors

SOLD TO

CUSTOMER NO:
CHASE ORDER NO:
DRAWN BY:

SHEET ____ OF ____