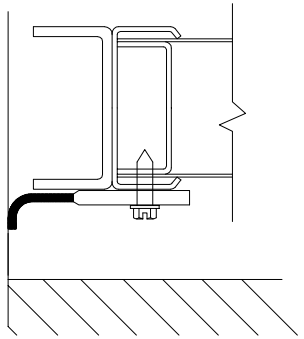
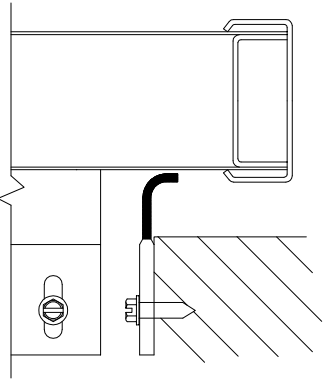


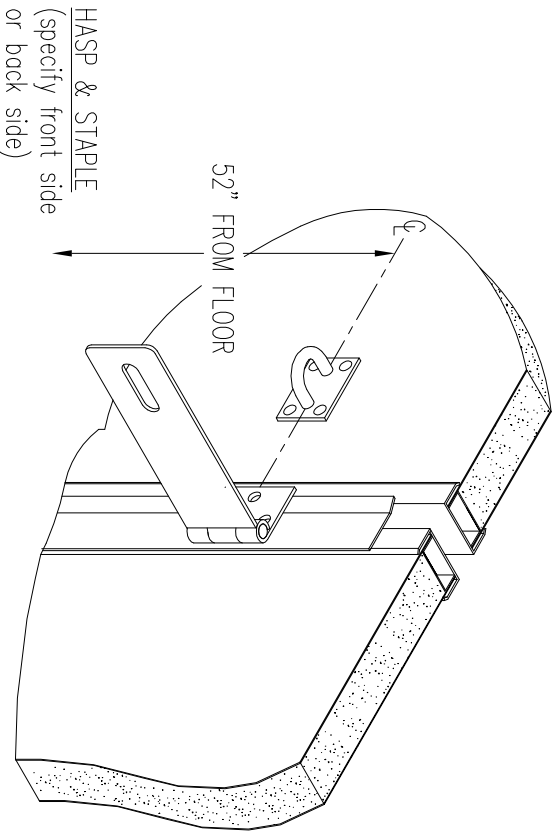
**MORTISED LOCK**  
(cylinders one or both sides of door)



**DUAL DUROMETER W'STRIP DOOR BOTTOM**



**DUAL DUROMETER W'STRIP HEAD & JAMBS**  
**PERIMETER WEATHERSTRIPPING**



**HASP & STAPLE**  
(specify front side or back side)

**OPTIONAL ITEMS**  
**SAINO SERIES 1101, 2101, 3101, 4101**  
NON-LABELLED MODULAR DOORS



**Chase Doors**

Tel: (800) 543-4455  
www.chasedoors.com  
FAX: (800) 978-6570

JOB	CUSTOMER NO:	N.O. PRINTS	FOR	DATE	REVISED
SOLD TO	CHASE ORDER NO:				
	DRAWN BY:				
	SHEET ____ OF ____				