

Mark For:

Chase Order#:

Job #:

Date:

Quantity:

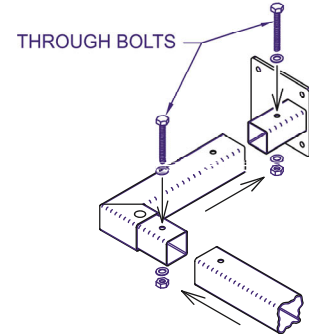
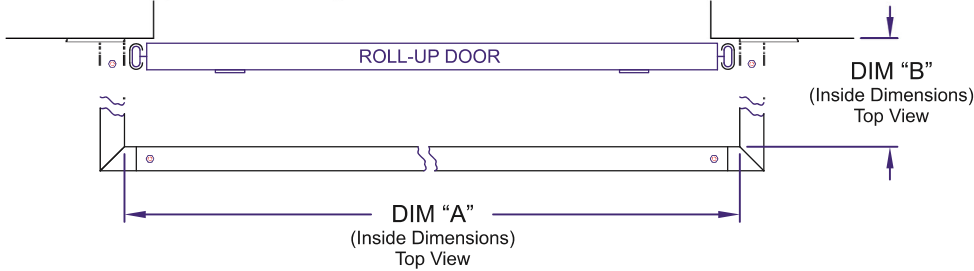
Lead Time:

Finished Opening Size:

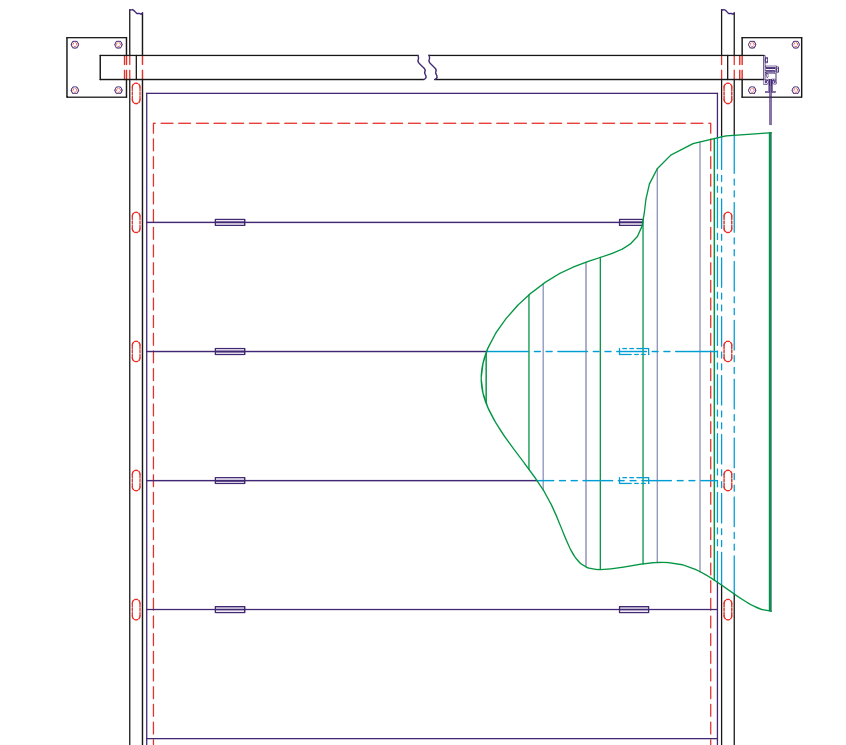
DIM "A":  inches    DIM "B":  inches    DIM "C":  inches

**NOTICE**

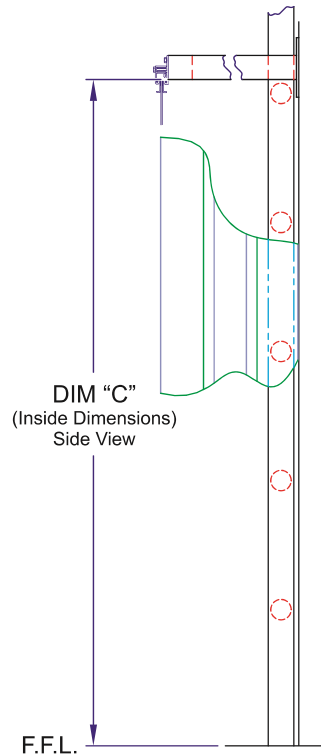
**DIM "A" and DIM "B" are the inside dimensions showing the clearance necessary to clear existing brackets, tracks, and/or other obstructions!**



**LEFT END ASSEMBLY**  
(Exploded Isometric)



INSIDE ELEVATION VIEW



RIGHT SIDE VIEW

**IMPORTANT**

Mid-span supports are necessary and become the sole responsibility of the customer to provide and install as needed! Chase Doors assumes NO liability for methods of installing mid-span supports.

Charges will be assumed by buyer for changes or cancellations to work in progress. Buyer hereby accepts responsibility for all sizes and dimensions given. Please compare Dimensions on the drawing with dimensions at time of ordering.

Approved By: \_\_\_\_\_ Date: \_\_\_\_\_

**STRIP DOOR SPECIFICATIONS**

(For Factory Use Only)

**Mounting Hardware**

Front Width (DIM "A" + 6"):  6 inches    Side Depth (DIM "B" + 1 3/4"):  1.75 inches    Strip Height (DIM "C"):  inches

**Curtain Strips**

Strip Door Model #:     Type of Material:

[PRINT FORM](#)

[RESET FORM](#)

[SAVE FORM](#)