

CUT ÚČEBŮ:
 JOB:
 MODEL:
 PO No:

CERTIFIED FOR CONSTRUCTION

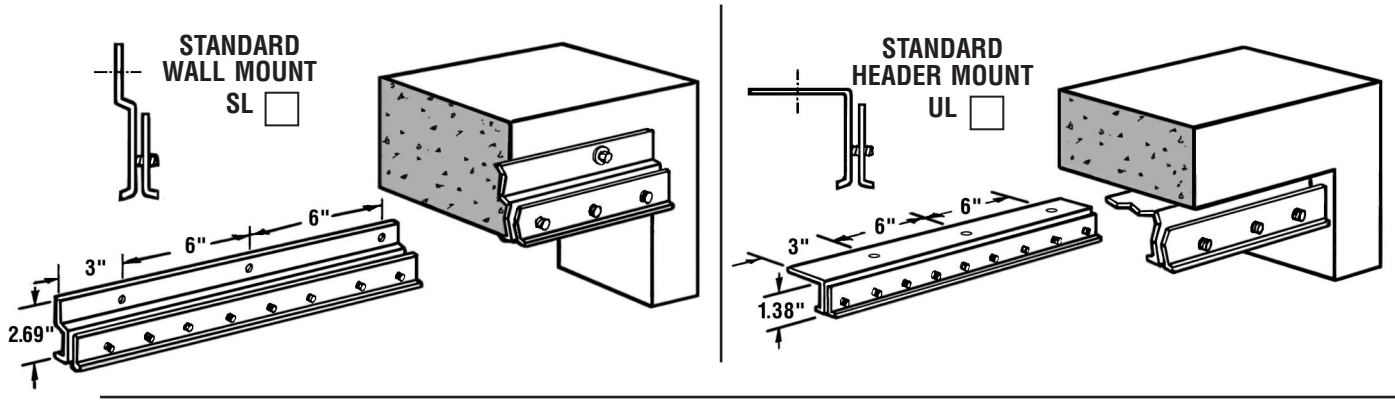
TO:
 DATE:
 COMPANY:
 CITY/STATE:

CERTIFIED FOR CONSTRUCTION

COMPANY:
 ADDRESS:
 CITY/STATE:
 TELEPHONE () EXT:

STUDDED *SAVE-T*® STRIP DOOR HARDWARE AND TYPES OF MOUNTING

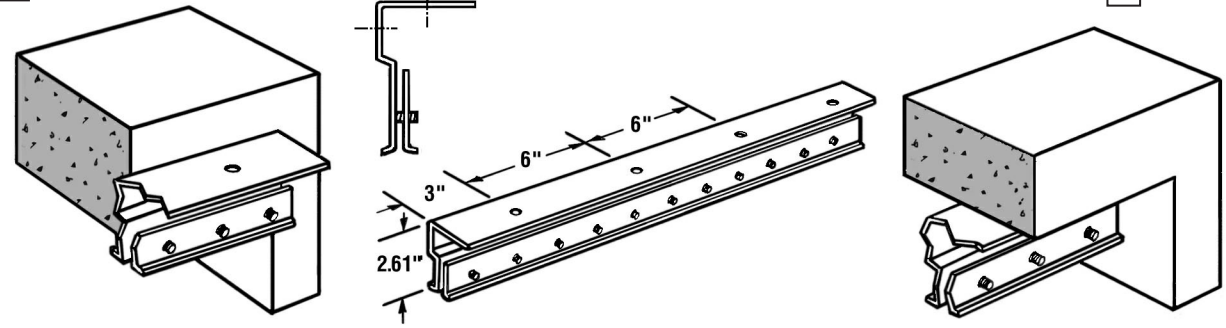
PLEASE CHECK THE APPROPRIATE BOX FOR YOUR SPECIFIC APPLICATION



WALL MOUNT
 UM-SL

UNIVERSAL HARDWARE

HEADER MOUNT
 UM-UL



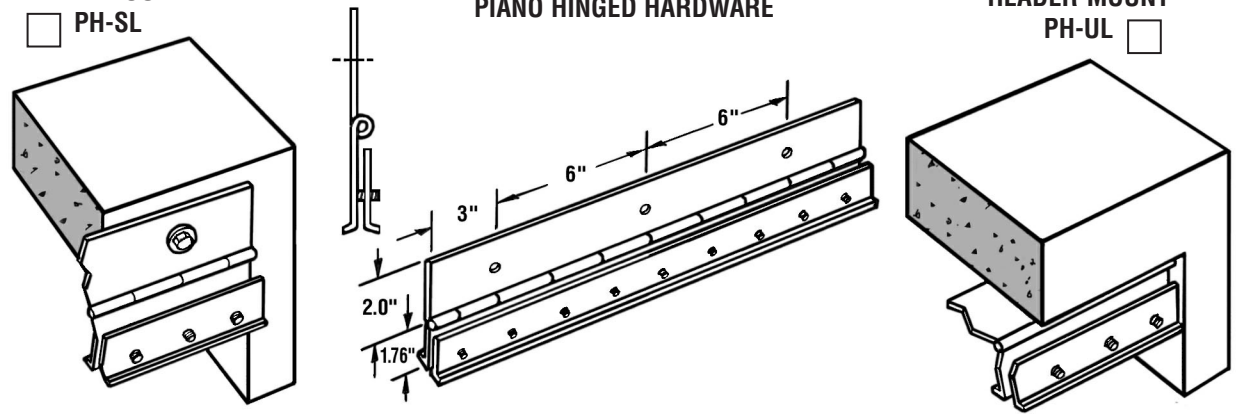
IMPORTANT

PLEASE COMPLETE THE REVERSE SIDE OF THIS FORM

WALL MOUNT
 PH-SL

PIANO HINGED HARDWARE

HEADER MOUNT
 PH-UL



TMI, LLC
 5350 Campbells Run Road
 Pittsburgh, PA 15205-9738

800-888-9750 Tel: 412-787-9750 Fax: 412-787-3665

STANDARD *SAVE-T*® STRIP DOORS

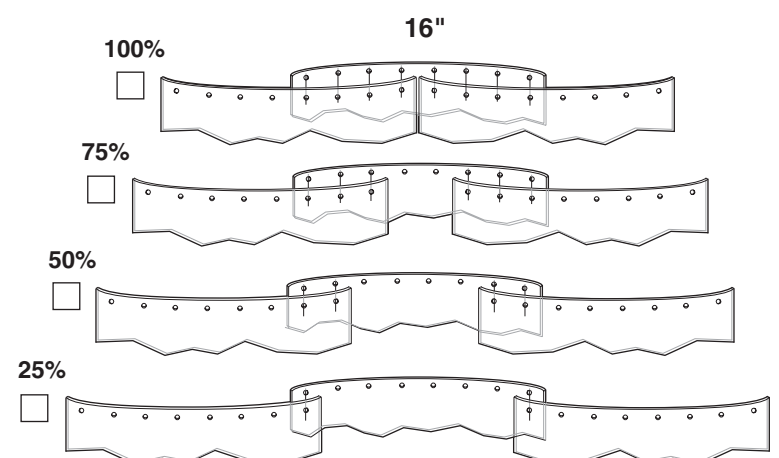
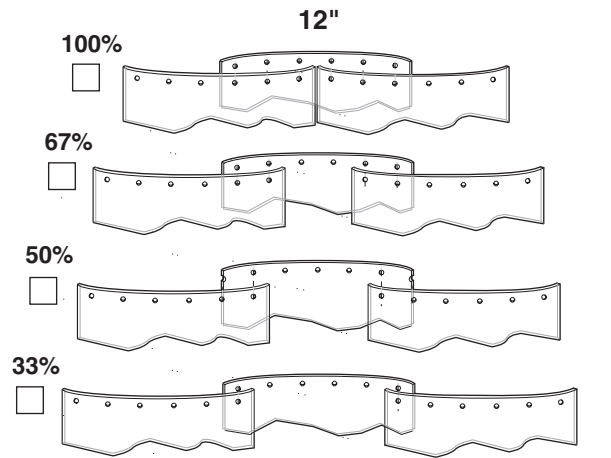
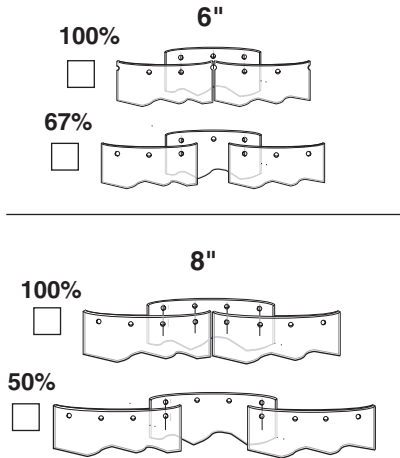
DRAWING BY:	CHECKED BY:
DATE	DATE

SHEET OF

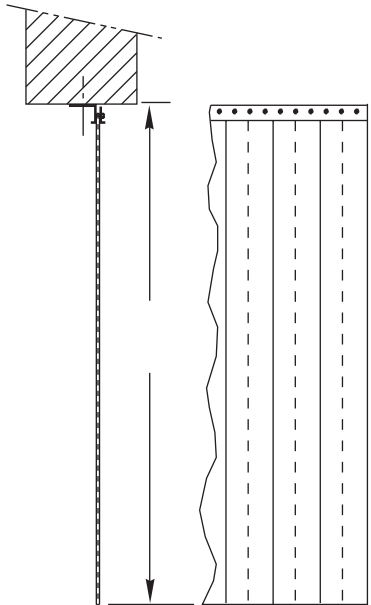
REVISIONS	NO.	DATE	DESCRIPTION

STANDARD *SAVET*® STRIP OVERLAP CONFIGURATIONS

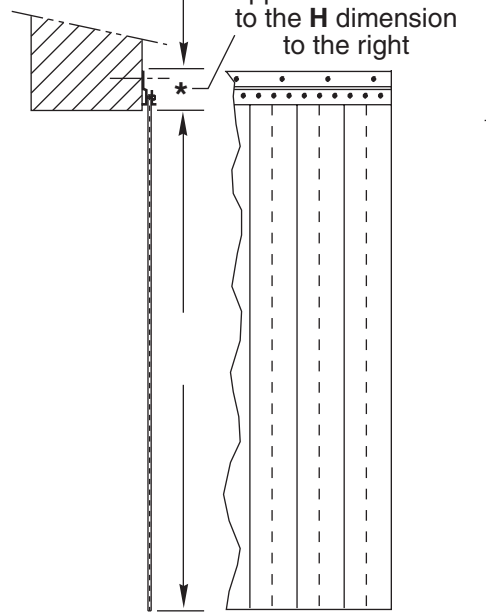
PLEASE INDICATE THE WIDTH AND OVERLAP DESIRED BY CHECKING THE APPROPRIATE BOX



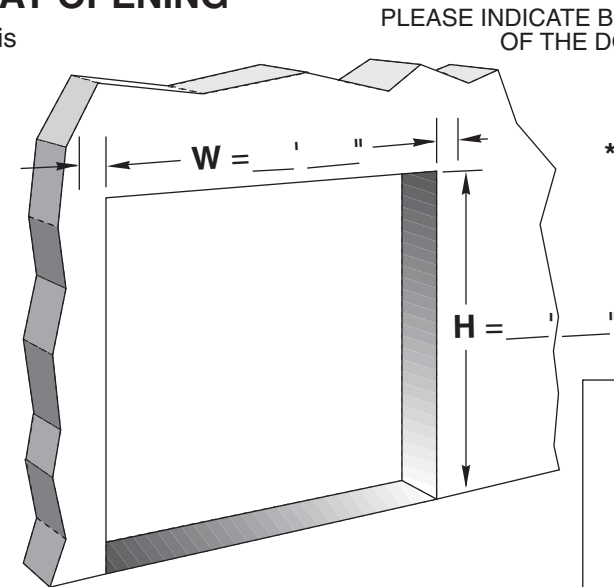
HEADER MOUNT



WALL MOUNT



DOORWAY OPENING



*** Note:**
FOR WALL MOUNT ONLY

If additional coverage is required include this in the doorway width and height

IMPORTANT
 PLEASE COMPLETE THE REVERSE SIDE OF THIS FORM



TMI, LLC

5350 Campbells Run Road
 Pittsburgh, PA 15205-9738

800-888-9750

Tel: 412-787-9750 • Fax: 412-787-3665

***SAVET*® STRIP DOOR**