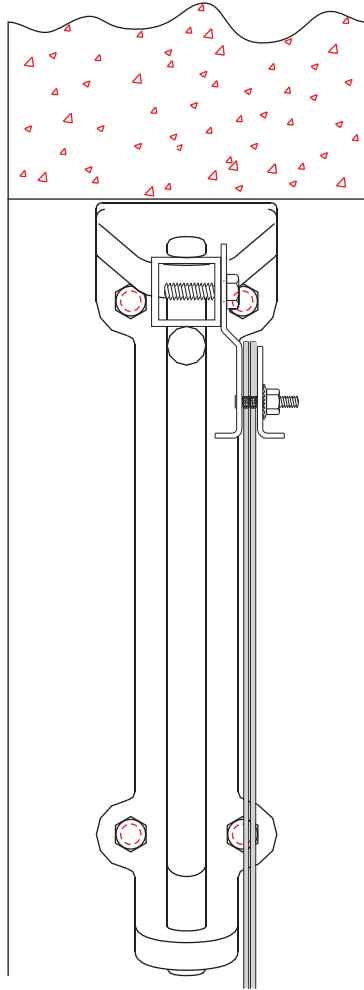


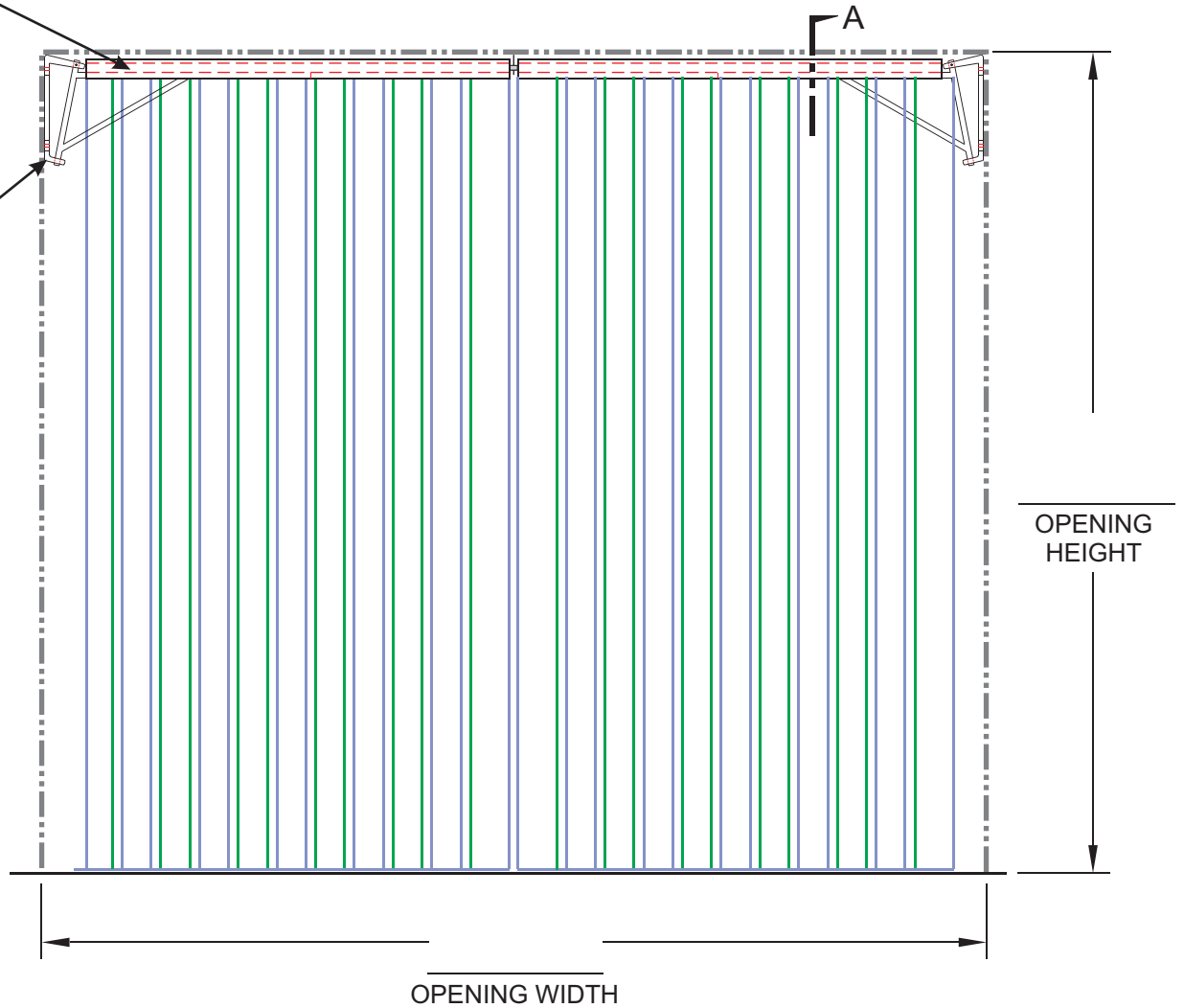
## ECONO-TRACK STRIP DOOR GATE HINGE IN-JAMB MOUNT BI-PARTING SELF CLOSING GRAVITY HINGE



SECTION "A"

STEEL YARDARM  
MOUNTED TO  
GRAVITY HINGE  
W/ ECONO TRACK  
STRIP DOOR  
ATTACHED

GRAVITY HINGE



CUSTOMER: \_\_\_\_\_

JOB #: \_\_\_\_\_ DATE: \_\_\_\_\_

STRIP DOOR MODEL: \_\_\_\_\_

HINGED LEFT: \_\_\_\_\_ HINGED RIGHT: \_\_\_\_\_

OPENING WIDTH: \_\_\_\_\_ OPENING HEIGHT: \_\_\_\_\_