

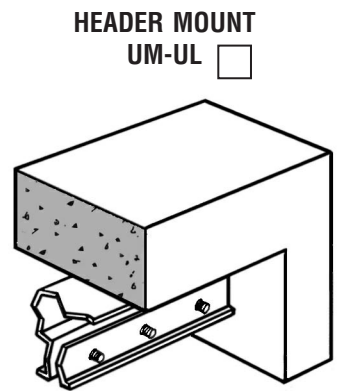
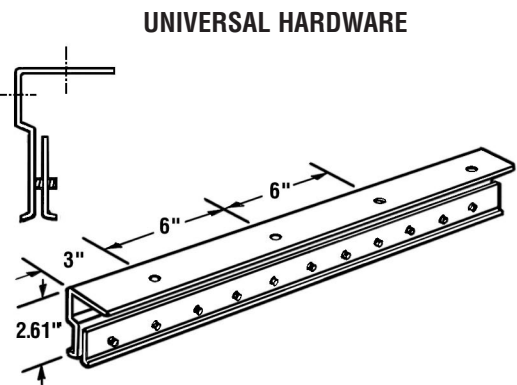
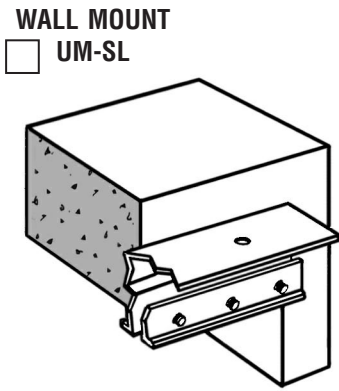
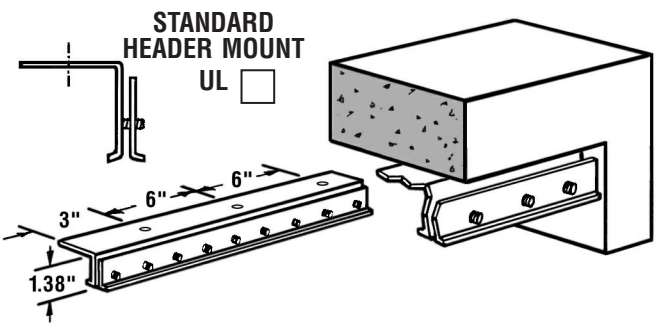
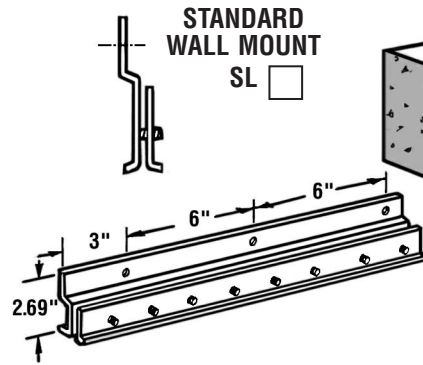
CITY/STATE:
 JOB:
 MODEL:
 LOCATION:

CERTIFIED FOR CONSTRUCTION
 TO:
 DATE:
 COMPANY:
 CITY/STATE:

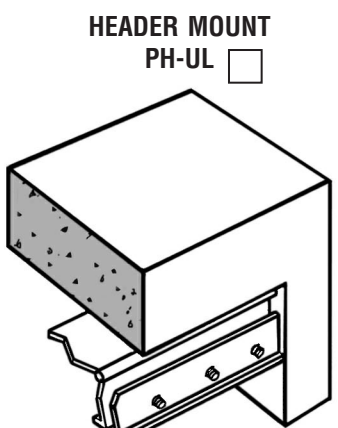
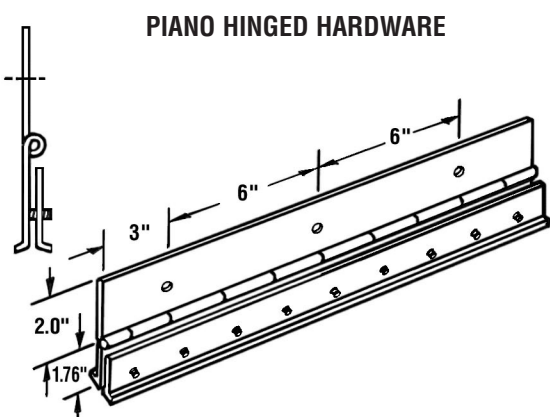
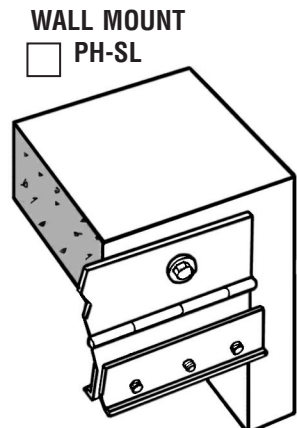
CERTIFIED FOR CONSTRUCTION
 COMPANY:
 ADDRESS:
 CITY/STATE:
 TELEPHONE () EXT:

STUDDED *SAVE-T*® STRIP DOOR HARDWARE AND TYPES OF MOUNTING

PLEASE CHECK THE APPROPRIATE BOX FOR YOUR SPECIFIC APPLICATION



IMPORTANT
 PLEASE COMPLETE THE REVERSE SIDE
 OF THIS FORM



5350 Campbells Run Road
 Pittsburgh, PA 15205-9738

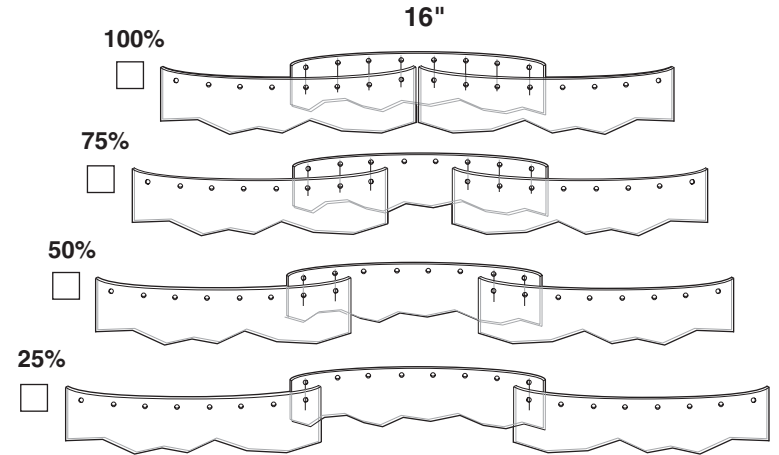
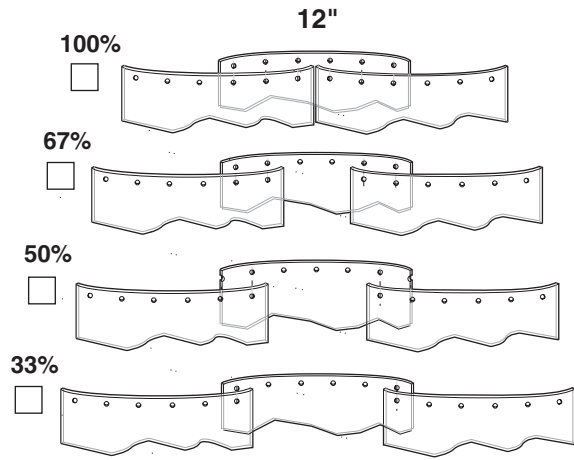
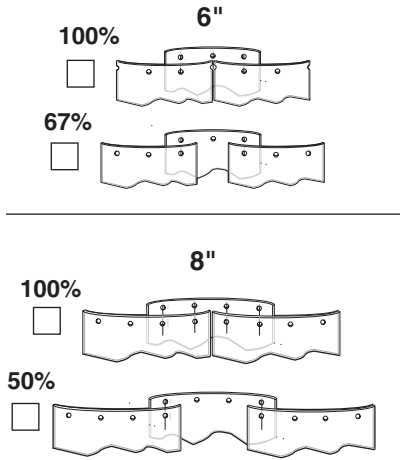
800-833-5005

Tel: 412-787-9750 • Fax: 412-787-3665

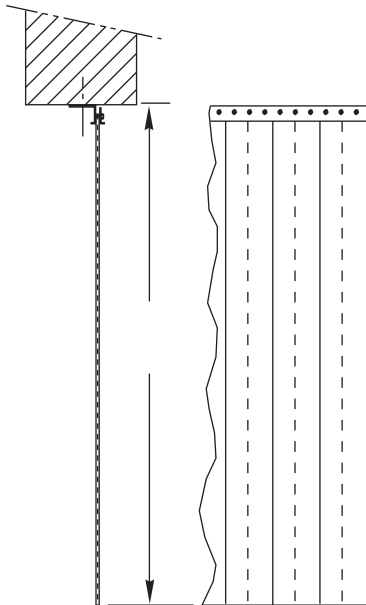
***SAVE-T*®**
STANDARD STRIP DOORS

STANDARD *SAVET*® STRIP OVERLAP CONFIGURATIONS

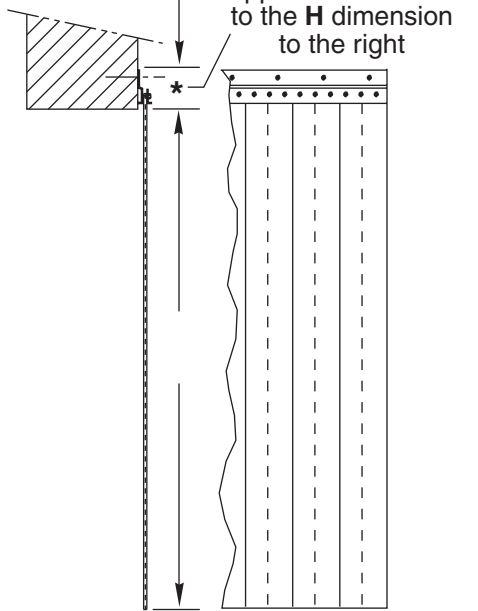
PLEASE INDICATE THE WIDTH AND OVERLAP DESIRED BY CHECKING THE APPROPRIATE BOX



HEADER MOUNT

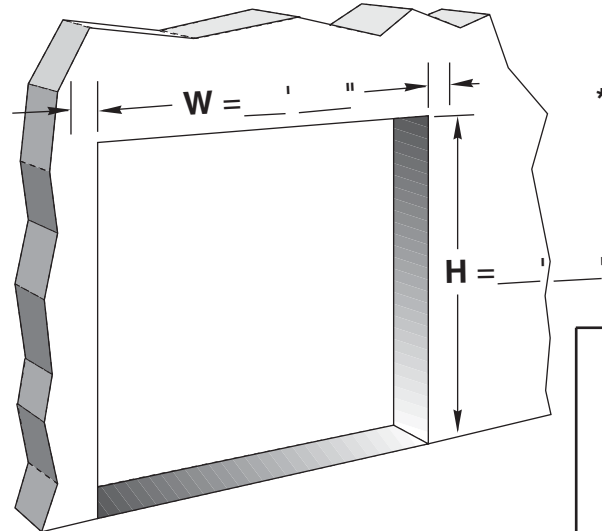


WALL MOUNT



DOORWAY OPENING

PLEASE INDICATE BOTH THE HEIGHT AND WIDTH OF THE DOORWAY OPENING



*** Note:**
FOR WALL MOUNT ONLY

If additional coverage is required include this in the doorway width and height

IMPORTANT
PLEASE COMPLETE THE REVERSE SIDE OF THIS FORM

Curtron Products
a division of TMI, LLC

5350 Campbells Run Road
Pittsburgh, PA 15205-9738

800-833-5005

Tel: 412-787-9750 • Fax: 412-787-3665

SAVET®
STANDARD STRIP DOORS