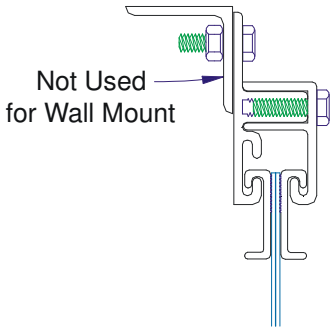


CHASE STRIP DOOR

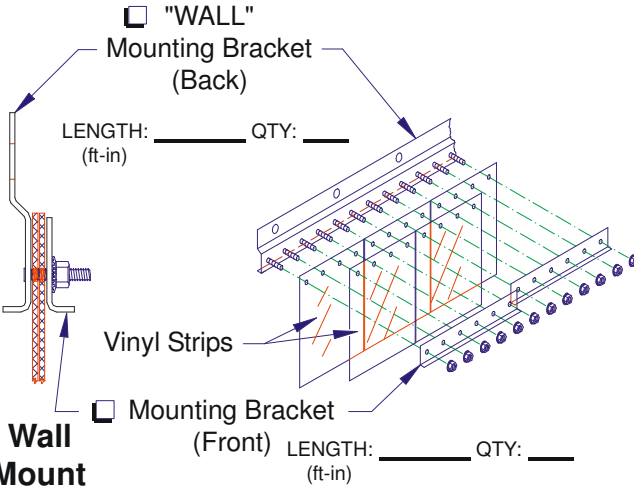
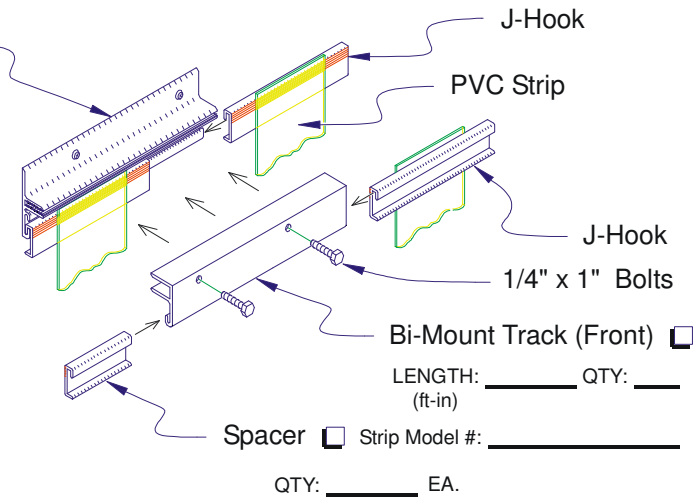
Part Replacement Order Form



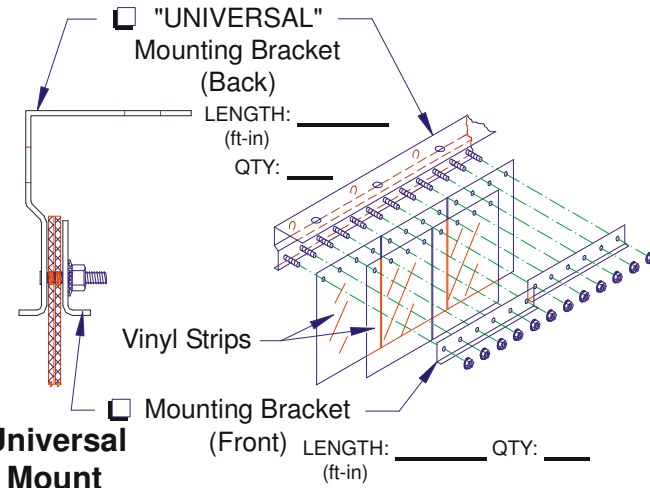
Bi-Mount Track (Back)
 LENGTH: _____ QTY: _____
 (ft-in)

"In Jamb" Mounting Adapter
 QTY: _____ EA.

"Bi-Mount" Track Assembly



Wall Mount



Universal Mount

EconoTRAC Assembly

Understanding Strip Door Model Numbers

The Model Numbers for Strip Doors simplify the ordering process as well as reducing the possibilities of incorrect items being shipped! If you are having trouble understanding the process for ordering please contact the factory for assistance at 1-800-547-6856.

Strip Door Model # Examples: 4601, 8802, and 121204

The Strip Door Model Numbers can be broke down as shown here:

- Model # 4601 = (4) 4" Wide Strips, (60) 0.060" Thick Material, (1) 1" Overlap
- Model # 8802 = (8) 8" Wide Strips, (80) 0.080" Thick Material, (2) 2" Overlap
- Model # 121204 = (12) 12" Wide Strips, (120) 0.120" Thick Material, (4) 4" Overlap

The Strip Door Model #'s must be accompanied by Specifications which are broken down as shown in the section below:

Specifications for Ordering Replacement Strips and/or Doors

(Use Guides Below)

8802	SC	4884	WM -RPL -E	2
Strip Model (See Above)	Material (See Below)	Opening Width & Height (48" x 84")	Other Specifications (See Below)	Quantity

Order Replacement Strips and/or Doors Here

Strip Model (See Above)	Material (See Below)	Opening Width & Height	Other Specifications (See Below)	Quantity
-------------------------	----------------------	------------------------	----------------------------------	----------

REPLACEMENT STRIPS (Available Materials & Mounting Styles)

AVAILABLE MATERIALS	MODEL NUMBERS										
	4601	6601	6602	8801	8802	8803	121203	121204	121206	161604	161608
SC (Std. Clr)	●	●	●	●	●	●	●	●	●	●	●
LT (Low Temp)	●	●	●	●	●	●	●	●	●	●	●
LTR (Low Temp Rein.)		●	●	●	●	●	●	●	●	●	●
LR (Loc-Rib)				●	●	●	●	●	●	●	●
LTLR (Low Temp Loc-Rib)				●	●	●	●	●	●	●	●
AS (Anti-Static)				●	●	●	●	●	●	●	●
AW (Amber Weld)				●	●	●	●	●	●	●	●
SO (Safety Orange)				●	●	●	●	●	●	●	●
CV (Color View)		See Note Below		●	●	●	●	●	●	●	●
MOUNTING STYLE											
J - Hook (Bi-Mount)	●	●	●	●	●	●	●	●	●	●	●
Hole Punch (EconoTRAC)	●	●	●	●	●	●	●	●	●	●	●

OTHER SPECIFICATIONS

- WM = Wall Mount
- IJ = In Jamb Mount
- OES = Orange End Strip
- RPL = Replacement Strip/Strips
- E = EconoTRAC (Hole Punch)

OTHER STRIP DOOR STYLES

OHD (OverHead Door), Truck, Trolley Mount, Gate, & Gravity Hinge
 Please consult factory for forms to order Replacement Parts for these Styles.

AVAILABLE COLORS for CV

Red	Black	Green	Blue	Brown
-----	-------	-------	------	-------