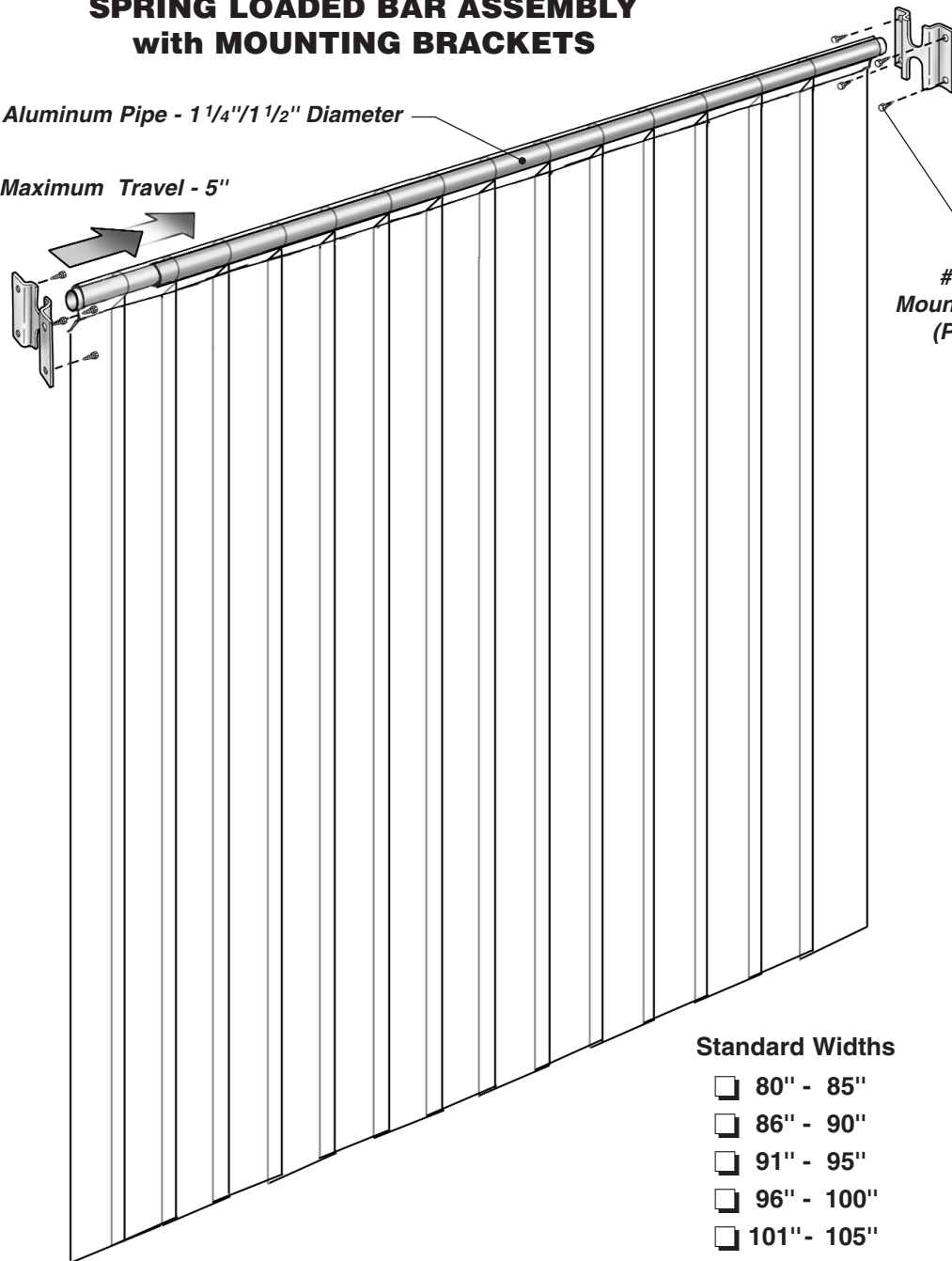


## SPRING LOADED BAR ASSEMBLY with MOUNTING BRACKETS

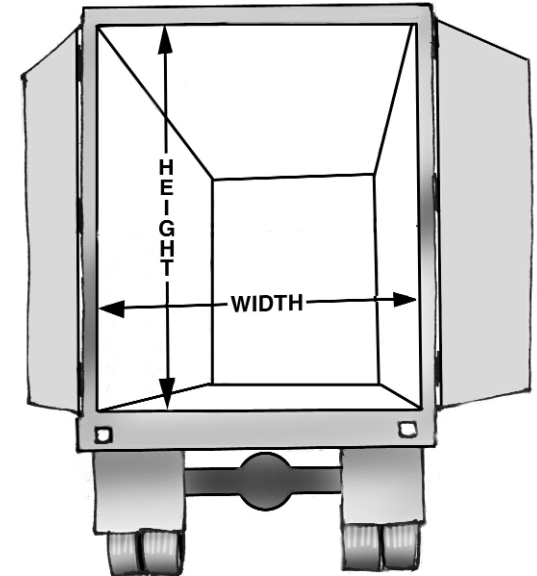
Aluminum Pipe - 1 1/4"/1 1/2" Diameter

Maximum Travel - 5"



#14 x 3/4"  
Mounting Screws  
(Provided)

## MEASURING YOUR DOOR



Door WIDTH in inches \_\_\_\_\_ "

Door HEIGHT in inches \_\_\_\_\_ "

**NOTE:** For *Rolling Door* applications, deduct clearance required for door track.

### Standard Widths

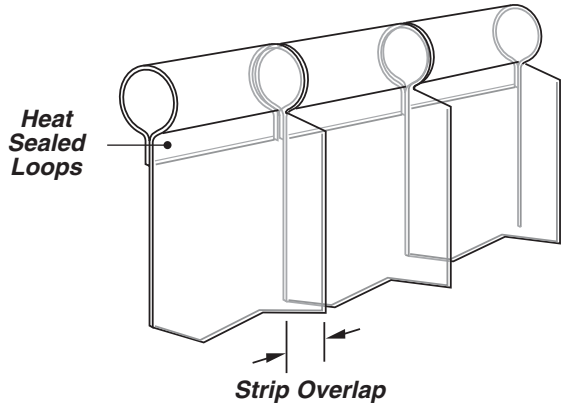
- 80" - 85"
- 86" - 90"
- 91" - 95"
- 96" - 100"
- 101" - 105"



5350 Campbells Run Road • Pittsburgh, PA 15205-9738  
800-888-9750 • 412-787-9750

**SAVE-T®**  
**Truck Strip Doors**  
**Model TSD with Looped Strips**

## OVERLAP CONFIGURATION



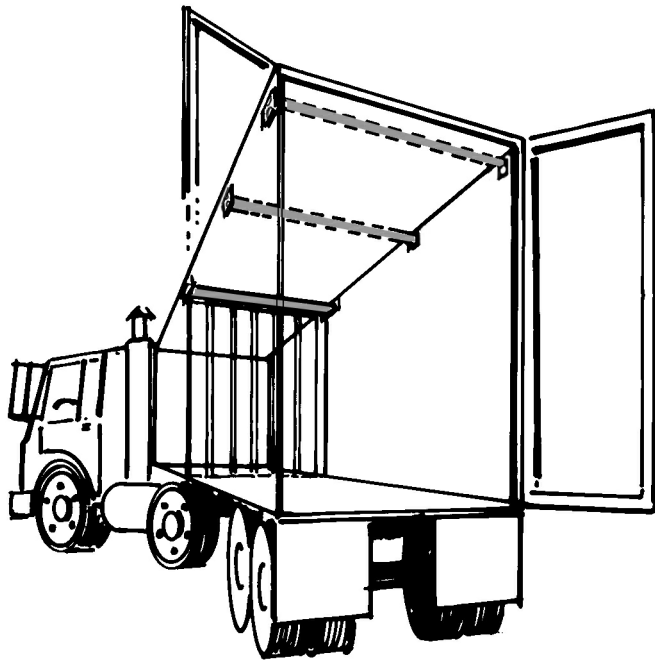
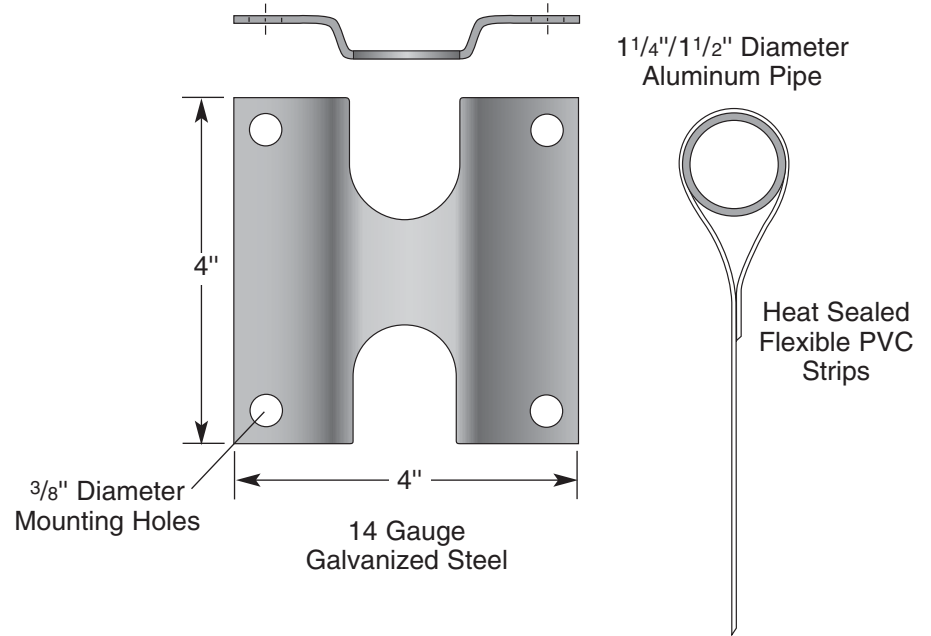
### Strip Width

- 6"
- 8"

### PVC Grade

- Standard
- Polar

## MOUNTING BRACKET



### Additional Mounting Brackets

\_\_\_\_\_ Pair(s)



5350 Campbells Run Road • Pittsburgh, PA 15205-9738  
800-888-9750 • 412-787-9750

**SAVET<sup>®</sup>**  
**Truck Strip Doors**  
**Model TSD with Looped Strips**