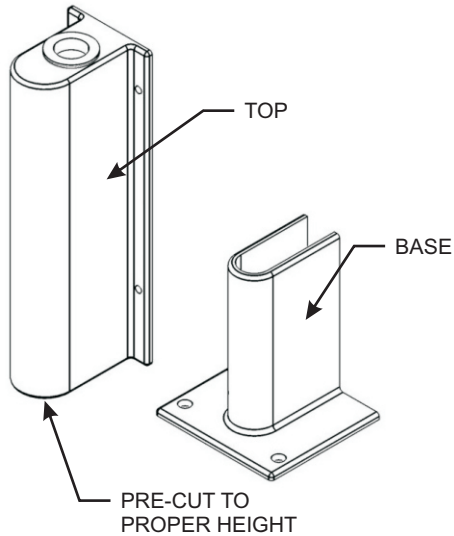




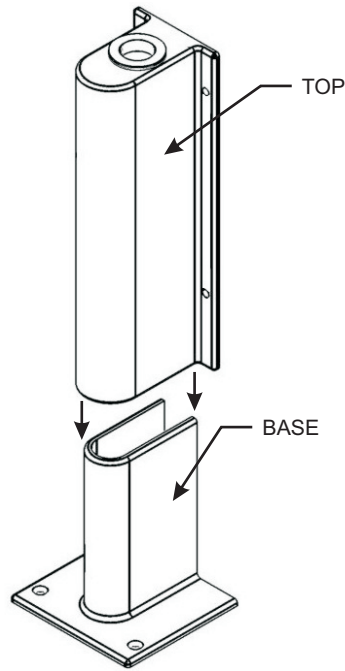
Chase Doors

World's Leading Manufacturer Of Traffic Doors

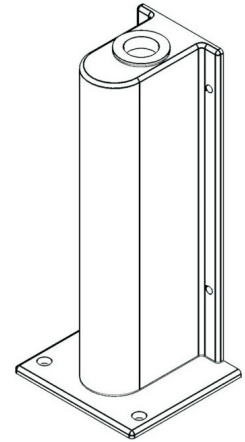
ADJUSTABLE LOWER HINGE GUARD INSTALLATION INSTRUCTIONS



1) YOUR HINGE HAS BEEN PRE-CUT AT THE FACTORY. THERE IS NO CUTTING REQUIRED BY THE INSTALLER.



2) PLACE THE TOP OF THE ADJUSTABLE LOWER HINGE GUARD OVER THE BASE.



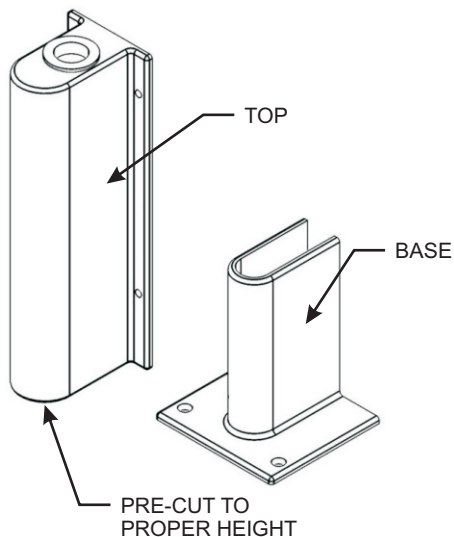
3) PROCEED TO STEP 1 OF THE RETAILER INSTALLATION INSTRUCTIONS PROVIDED WITH YOUR DOOR.



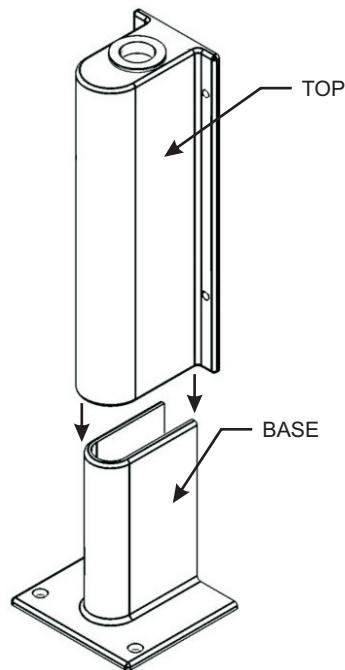
Chase Doors

World's Leading Manufacturer Of Traffic Doors

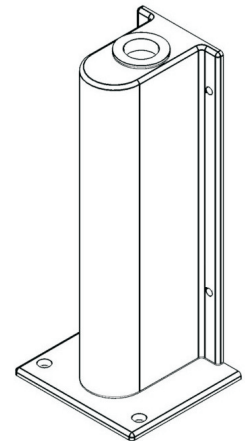
ADJUSTABLE LOWER HINGE GUARD INSTALLATION INSTRUCTIONS



1) YOUR HINGE HAS BEEN PRE-CUT AT THE FACTORY. THERE IS NO CUTTING REQUIRED BY THE INSTALLER.



2) PLACE THE TOP OF THE ADJUSTABLE LOWER HINGE GUARD OVER THE BASE.



3) PROCEED TO STEP 1 OF THE RETAILER INSTALLATION INSTRUCTIONS PROVIDED WITH YOUR DOOR.