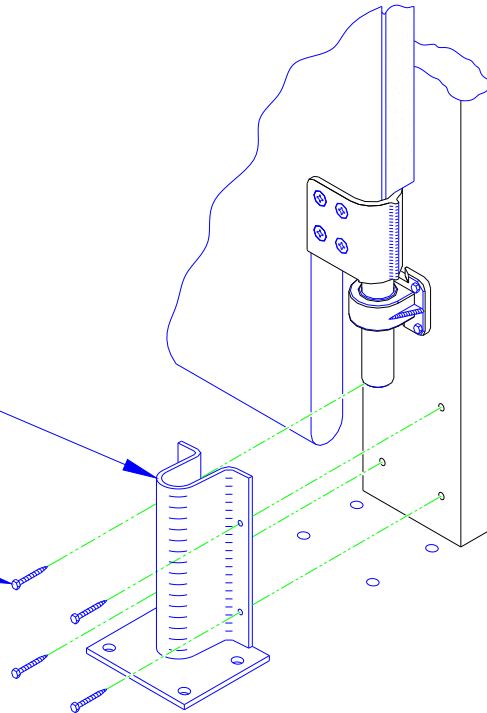




Aluminum Hinge Guard with Baseplate Installation

Standard Aluminum Hinge Guard with Baseplate (P/N 5574)

Provided Fasteners



INSTALLATION INSTRUCTIONS

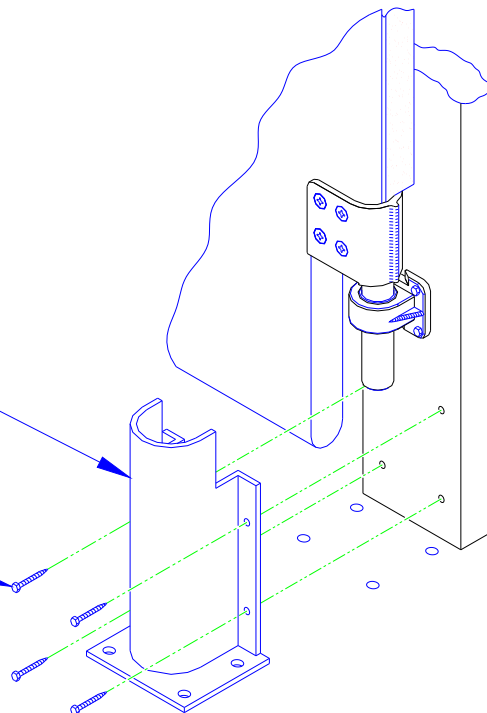
Step 1) Fasten Lower Hinge Guard to Jamb using fasteners provided. #14 Fasteners (P/N 6520) to be used on Wood Jamb. 1/4-14x1-1/2" Tek Screw to be used on Metal Jamb.

Step 2) Anchor Baseplate to floor as required by floor conditions. Anchor bolts to be provided by others.

STANDARD

Industrial Aluminum Hinge Guard with Baseplate (P/N 5576)

Provided Fasteners



INDUSTRIAL