



# Chase Doors

Cincinnati Ohio, and Redmond Oregon  
Phone Toll Free: 1-800-543-4455 • Fax: 1-800-285-0126  
www.chasedoors.com

## BUMPER INSTALLATION FOR DURULITE RETAILER DOORS ONLY!

**NOTE:** FOR BUMPER WIDTHS OF 42" & 48" USE THE DURULITE 36" WIDE BUMPER HOLE PATTERN!  
*See Durulite Bumper Template!*

### IMPORTANT NOTE:

TEMPLATE MUST REMAIN SQUARE AND FLUSH WITH THE LEADING AND BOTTOM EDGES OF THE DOOR PANEL AT ALL TIMES!

**"EDGE OF DOOR PANEL"** REFERS TO EDGE OF DOOR MATERIAL AND DOES NOT INCLUDE GASKETS OR ALUMINUM NOSING!

### BUMPER INSTALLATION INSTRUCTIONS

1. Remove Durulite door from opening. Align "LEADING EDGE OF DOOR" Line and "BOTTOM EDGE OF DOOR" Line on this Template with the bottom and leading edges of the door.  
NOTE: You may wish to trim the template at these lines and tape the edges to the door.  
Transfer hole patterns to the door(s) with an awl or center punch (do not allow template to move while transferring hole pattern, this will result in a misaligned hole pattern which will make the mounting of the bumpers extremely difficult)
2. Drill the mounting insert holes with a Sharp 31/64" diameter drill bit. IMPORTANT: Be sure drill is held perpendicular to the door face. If necessary use a guide or jig for this step.
3. Using pliers, grasp the threaded steel inserts by the Knurled End (See Figure 1). Place smooth end at drill hole and strike firmly with a hammer until the insert rests flush with the face of the door panel.
4. Mount one Bumper on one side of the door, running screws in finger tight. Insert screws in holes under the curl (rolled section) of the bumper first, See Figure 2. Starting at the center and working your way out to the top and bottom holes.

**IMPORTANT:** The distance between the holes on the bumper may seem too wide to fit the holes on the door. You must pull up at the center of the bumper while pushing down on the back edge to create the "Spring Loading" required to utilize the full strength of the Polyethylene Spring Bumpers. You may insert an Awl or a Phillips Screwdriver into the center back hole and then into the appropriate insert, being careful not to damage the threads. While holding the back of the bumper with the awl/screwdriver you can insert the remaining fasteners on that side. Remove the awl/screwdriver and insert the remaining fastener. Leave all fasteners finger tight.

5. Repeat step 4 on far side of door with other bumpers. After both bumpers are mounted tighten all fasteners. If the Inserts begin to spin while tightening, hold opposite side with a box end wrench.

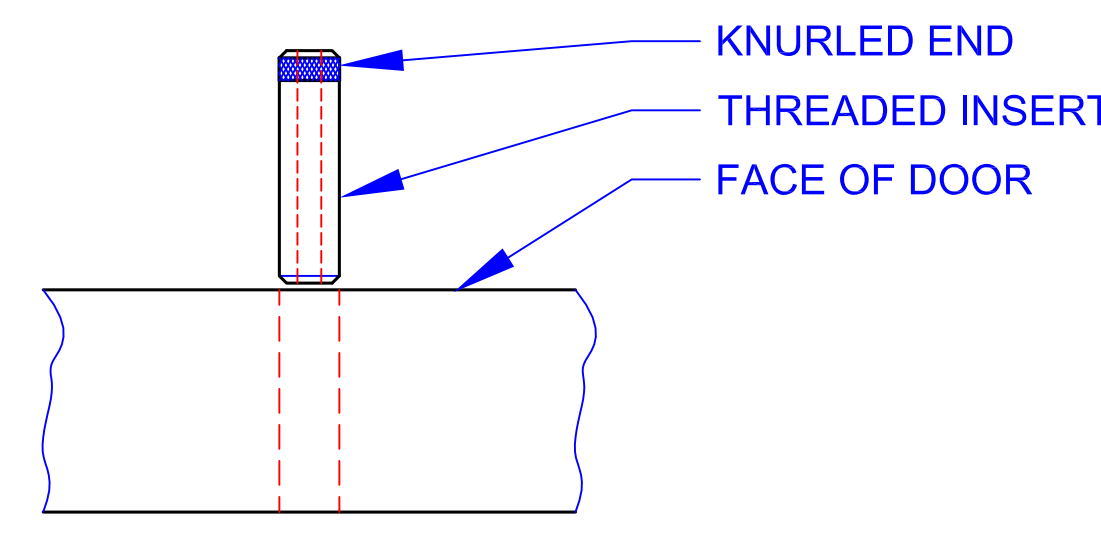


Figure 1

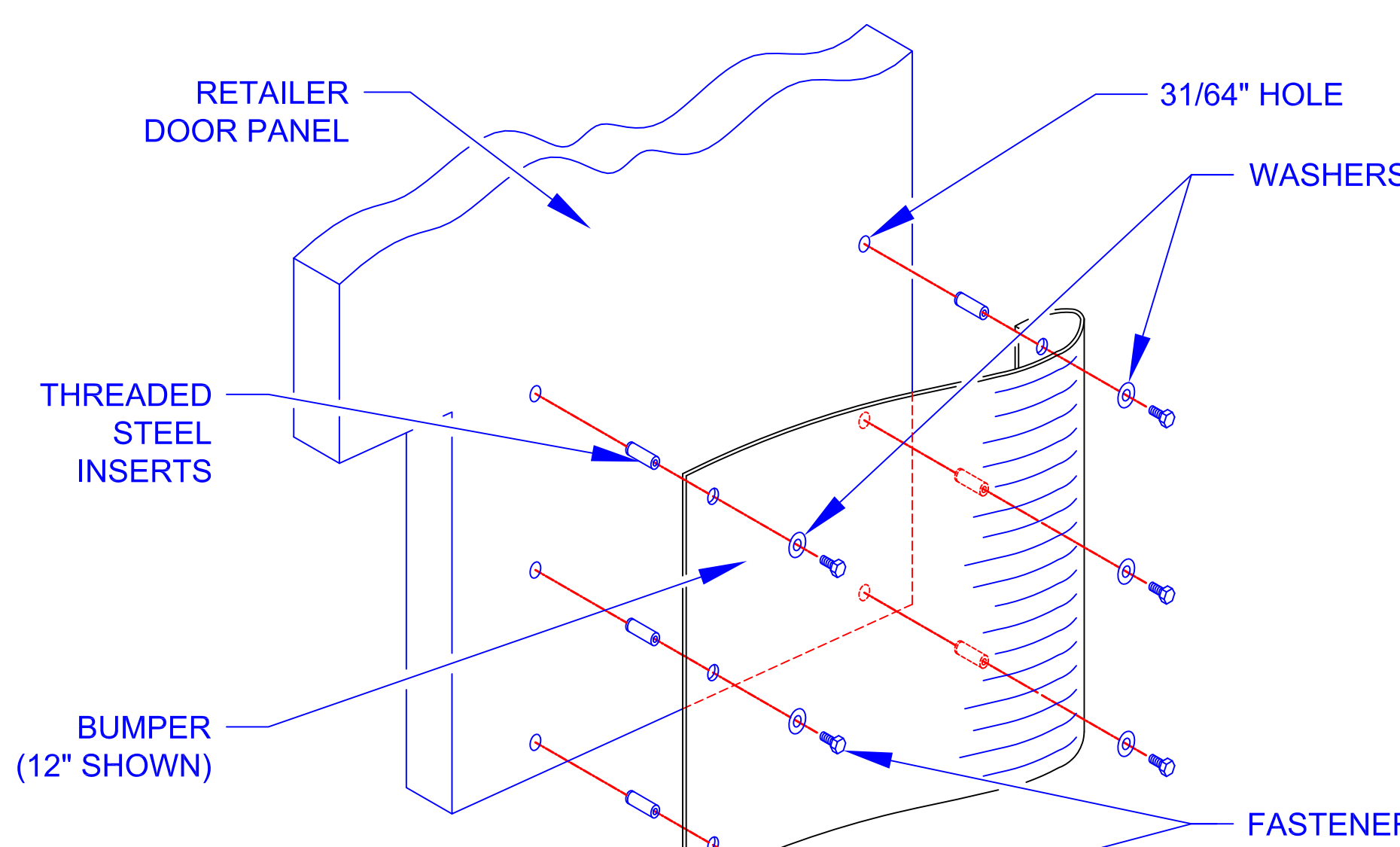
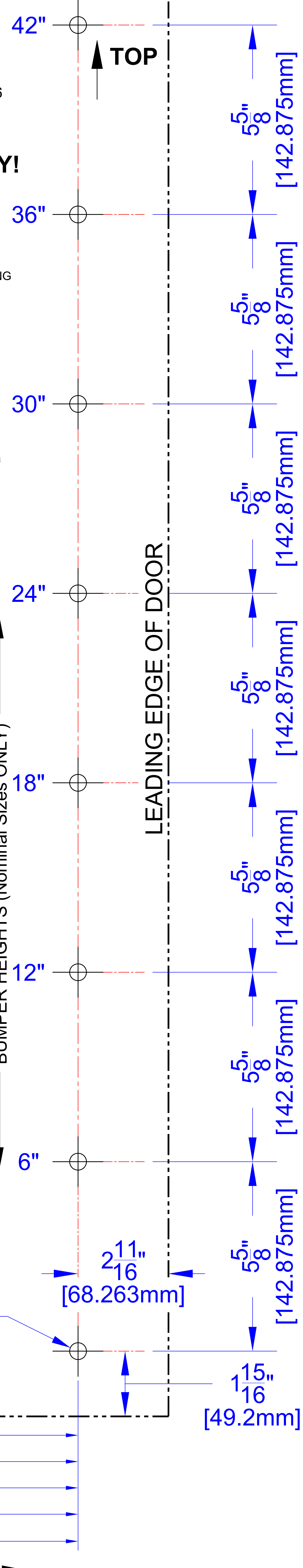
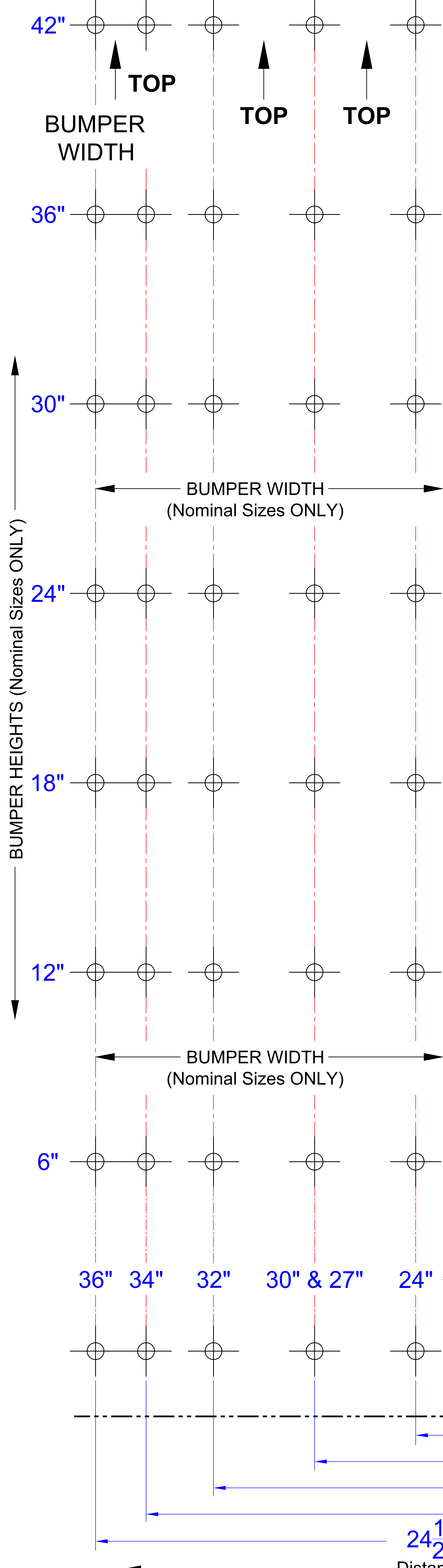


Figure 2  
(Bumper Assembly)



BOTTOM EDGE OF DOOR

LEADING EDGE OF DOOR

USE A 31/64" DRILL BIT

Distance Between Holes

Drawing Name and Path: "C:\Durus\Instructions\Retailer\_Bumper\_Template.dwg Drawn By: MWollam Date: 02-25-2008 Revision Date: 02/22/2012