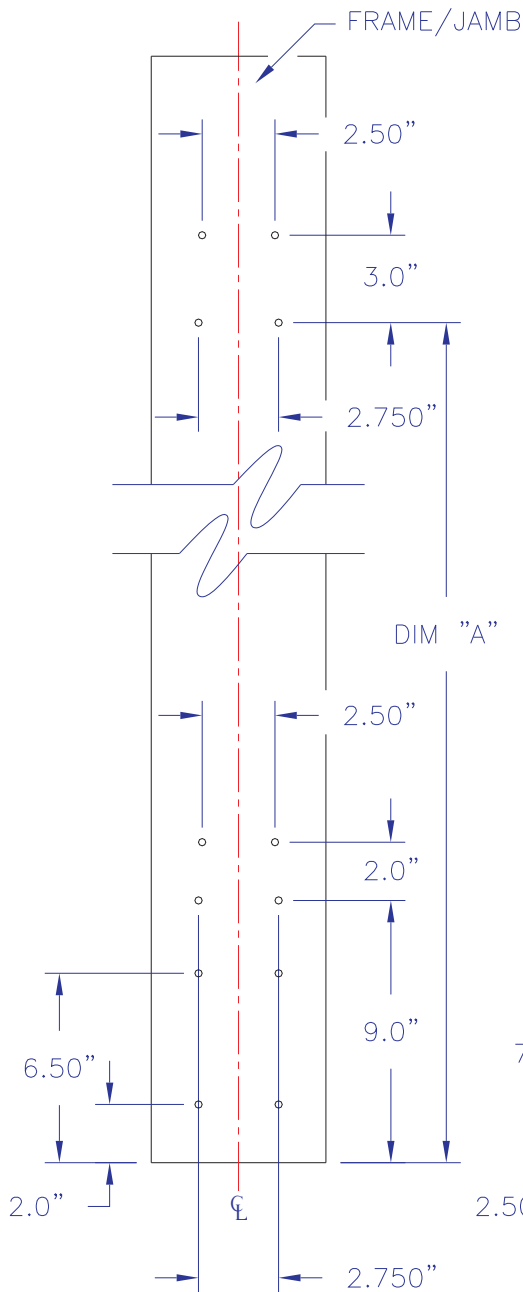


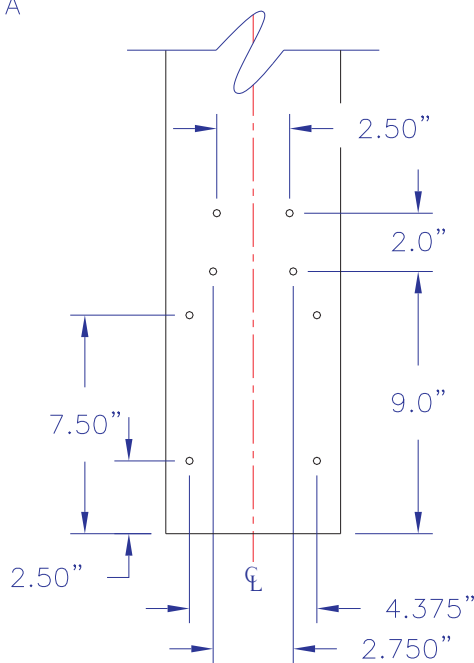
IMPORTANT NOTE: THE VCAM LOCATION (DIM "A") REMAINS CONSTANT FOR ALL 90° SWING DURULITE DOORS, EXCEPT "NO-RISE"!



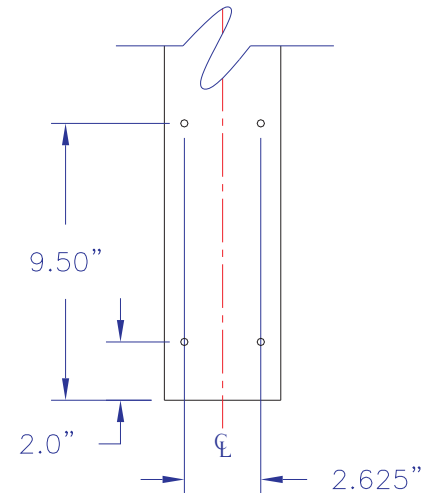
STANDARD
(Lower Hinge Guard)

DOOR HEIGHT	DIM "A"
78"	72.75"
80"	74.75"
84"	78.75"
90"	84.75"
96"	90.75"
102"	96.75"
108"	102.75"
114"	108.75"
120"	114.75"

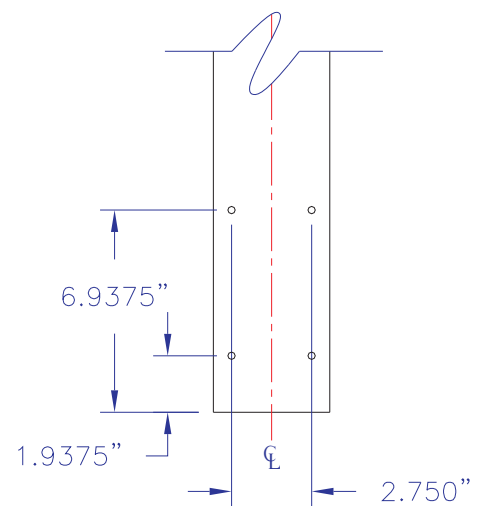
DIM "A" APPLIES TO STANDARD, INDUSTRIAL & POSTAL DOORS



INDUSTRIAL & POSTAL
(Lower Hinge Guard)



"Standard" Combo
(Cast Aluminum)



"Industrial" Combo
(Extruded Aluminum)

"COMBO" LOWER HINGE
(Use Dim "A" for VCam Location)