

DURULITE NO-RISE INSTALLATION INSTRUCTIONS

DWG # 2002 REV DATE: 06-13-2012
 DRAWN BY: MLW

PREPARATION

MEASURE WIDTH AND HEIGHT OF FRAMED OPENING AND COMPARE WITH OTHER DIMENSIONS.
 FRAMED OPENING DIMENSIONS MUST MEET ORDER DIMENSIONS WITHIN THE FOLLOWING TOLERANCES:
 SINGLE DOORS: HEIGHT: +1" -1/2"
 WIDTH: +0" -1/2"
 DOUBLE DOORS: HEIGHT: +1" -1/2"
 WIDTH: +3/8" -1"
 IF THE FRAMED OPENING DOES NOT MEET THE ORDER DIMENSIONS WITHIN THESE TOLERANCES CALL THE FACTORY AT 1-800-547-6856

FOR PROPER INSTALLATION

FRAMED OPENINGS MUST BE SQUARE AND PLUMB. MAKE ANY NECESSARY ADJUSTMENTS TO SQUARE AND PLUMB OPENING. DURULITE DOORS MUST BE INSTALLED PLUMB.

DRILL BIT SIZES

FOR: ② ③ ⑩
 FOR ALL STEEL JAMBS
 USE: 7/32" DRILL BIT.
 FOR SECURITY DOORS*
 USE: #7 DRILL BIT.
 ON SECURITY DOORS USE A 1/4-20 TAP
 3/16" DRILL BIT REQUIRED FOR ROLL PIN INSTALLATION (INCLUDED)

FASTENERS

FOR: ② ③ ⑩
 FOR STEEL JAMB
 USE: 1/4" X 1-1/2 TEK SCREW.
 FOR SECURITY DOORS
 USE: 1/4-20 X 7/8" SOCKET HEAD.

IMPORTANT

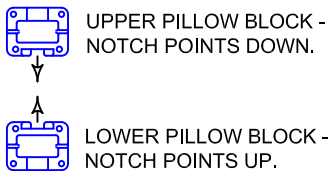


Figure 2

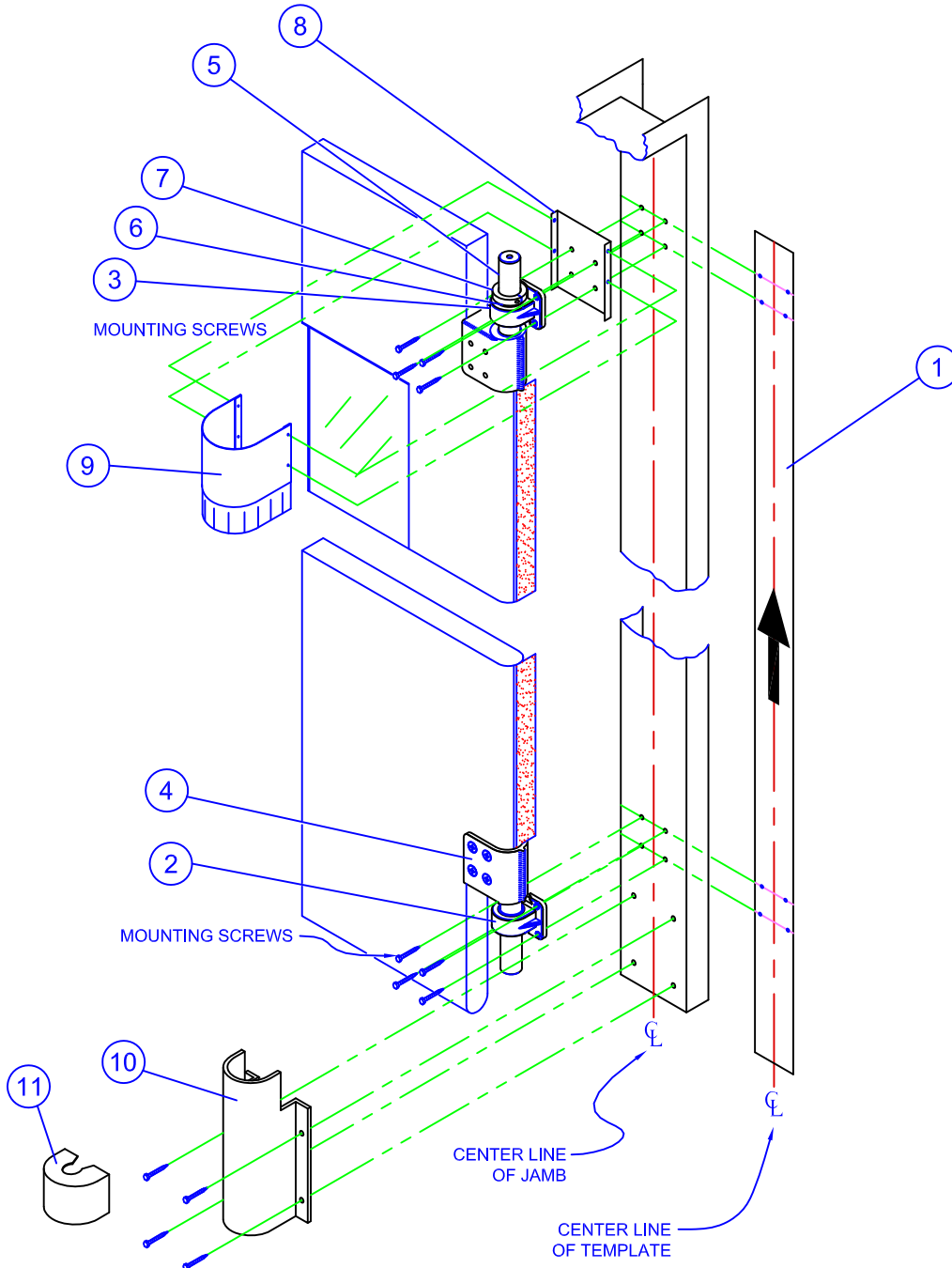


Figure 1

STEP 1. MARKING AND DRILLING JAMB FOR HARDWARE.

NOTE: PROCEED ONLY AFTER COMPLETING THE "PREPARATION" SECTION AT LEFT. ESTABLISH THE CENTERLINE OF JAMB. PLACE TEMPLATE ① ON THE INSIDE FACE OF JAMB WITH BOTTOM OF TEMPLATE TOUCHING FINISHED FLOOR OR SILL. LINE UP CENTERLINE ON TEMPLATE WITH CENTERLINE OF JAMB (Refer to Figure 1).
 MARK HOLES THROUGH TEMPLATE ① ONTO JAMB WITH CENTER PUNCH. **NOTE:** SEE "DIM A" FROM "HARDWARE LOCATION" SECTION, PAGE 2, FOR YOUR APPLICATION.
 REMOVE TEMPLATE ① FROM JAMB AND DRILL HOLES (SEE "DRILL BIT SIZES" AT LEFT).

STEP 2. ATTACHING HARDWARE AND HANGING DOOR.

ATTACH LOWER PILLOW BLOCK ② TO JAMB, NOTCH SIDE UP (See Figure 2), WITH SINGLE FASTENER (DO NOT TIGHTEN).
 PLACE UPPER PILLOW BLOCK ③ OVER UPPER HINGE ADAPTER ⑤ SHAFT WITH THE NOTCH POINTING DOWN. PLACE THE TWO (2) BEARING WASHERS ⑥ OVER UPPER HINGE ADAPTER ⑤ SHAFT. PLACE LOCK COLLAR ⑦ OVER UPPER HINGE ADAPTER ⑤ SHAFT "DO NOT TIGHTEN AT THIS TIME" (See Figure 3).
 TILT THE LOWER PILLOW BLOCK ② TO APPROXIMATELY A 30° ANGLE (THIS ALLOWS YOU TO INSERT THE LOWER HINGE ADAPTER INTO THE LOWER PILLOW BLOCK WITHOUT INTERFERENCE FROM THE HEADER). LIFTING THE DOOR, INSERT THE LOWER HINGE ADAPTER ④ SHAFT INTO THE LOWER PILLOW BLOCK ②.
 STAND THE DOOR UPRIGHT. PLACE THE BACKER PLATE ⑧ BEHIND THE UPPER PILLOW BLOCK ③ AND FASTEN TO JAMB USING APPROPRIATE FASTENERS AND TIGHTEN.
 INSERT REMAINING FASTENERS INTO LOWER PILLOW BLOCK ② AND TIGHTEN.

STEP 3. DOOR SWING AND HEIGHT ADJUSTMENT.

NOTE: IF YOUR OPENING HEIGHT IS **NOT** WITHIN TOLERANCE AS INDICATED UNDER THE "PREPARATION" SECTION AT LEFT CALL THE FACTORY AT 1-800-547-6856, OTHERWISE CONTINUE FROM HERE.
 THE DOOR SHOULD BE LIFTED TO A HEIGHT WHERE THE TOP OF THE DOOR IS 1/4" FROM THE HEADER (NORMALLY 1-3/4" FROM FINISHED FLOOR). IF NO OPERATER IS USED THE DISTANCE FROM FINISHED FLOOR TO BOTTOM OF DOOR WILL BE 7/8".
 WITH DOOR SET TO CORRECT HEIGHT, TIGHTEN LOCK COLLAR ⑦ USING APPROPRIATE SIZE HEX-KEY WRENCH.
NOTE: IF THE SIZE OF YOUR DOOR IS 4296 OR LARGER, IT IS NECESSARY TO INSERT A SPLIT PIN INTO THE UPPER HINGE ADAPTER ⑤ SHAFT (SEE "SPLIT PIN INSTALLATION INSTRUCTIONS", PAGE 2).

STEP 4. HINGE GUARD AND SEAL

PEEL PAPER FROM DOUBLE FACE TAPE ON UPPER HINGE SEAL ⑨. PLACE OVER BACKER PLATE ⑧ (SKIRT SIDE DOWN), ATTACH WITH #10 TEK SCREWS.
 SET LOWER HINGE GUARD ⑩ INTO PLACE, ON FLOOR AND AGAINST JAMB, CENTERED OVER LOWER PILLOW BLOCK ②. MARK HOLES, REMOVE LOWER HINGE GUARD ⑩ AND DRILL (SEE "DRILL BIT SIZE" AT LEFT).
 ATTACH LOWER HINGE GUARD ⑩ WITH FASTENERS AND SNAP SOLID RISER ONTO LOWER HINGE ADAPTER ④ SHAFT, JUST ABOVE THE LOWER PILLOW BLOCK ②.

NOTE: CHECK DOOR AT FULL SWING IN BOTH DIRECTIONS. IT MAY BE NECESSARY TO TRIM GASKET MATERIAL IN SOME AREAS.

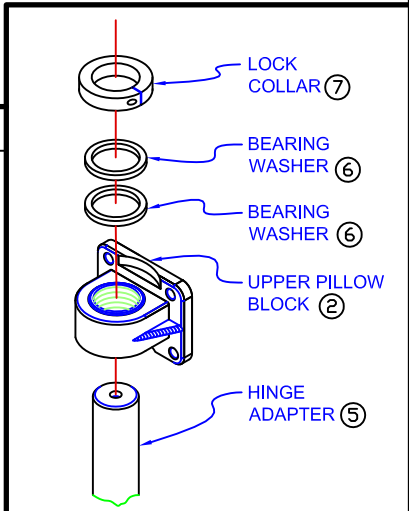


Figure 3

ROLL PIN INSTALLATION INSTRUCTIONS

(FOR DOORS 4296 AND LARGER ONLY)

After final adjustment of door height, drill a 3/16" hole through the center of the Upper Hinge Adapter Shaft just above the Lock Collar (See Figure 4).

Drive the 3/16" Roll Pin into the hole. Make sure an equal amount of the Split Pin extends from both sides of the Hinge Adapter Shaft (See Figure 5).

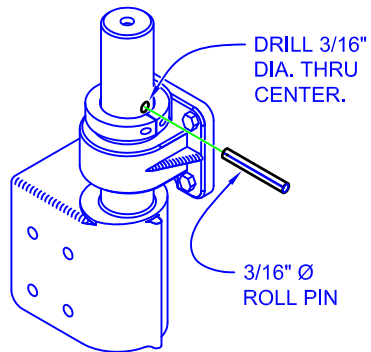


Figure 4

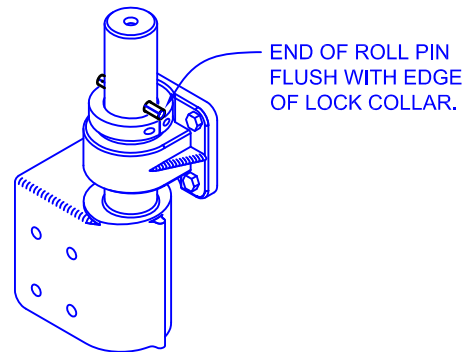
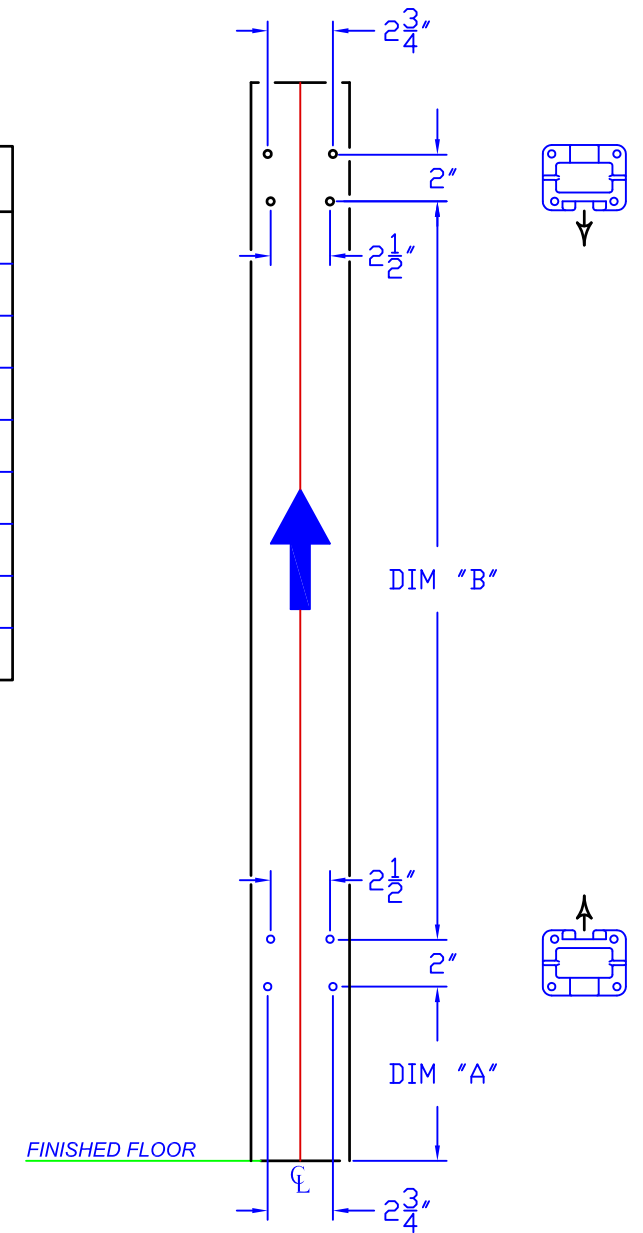


Figure 5

HARDWARE LOCATION

DOOR HEIGHT	DIM "A" No Operator	DIM "A" With Operator	DIM "B"
78"	8 1/2"	10 1/4"	61"
80"	8 1/2"	10 1/4"	63"
84"	8 1/2"	10 1/4"	67"
90"	8 1/2"	10 1/4"	73"
96"	8 1/2"	10 1/4"	79"
102"	8 1/2"	10 1/4"	85"
108"	8 1/2"	10 1/4"	91"
114"	8 1/2"	10 1/4"	97"
120"	8 1/2"	10 1/4"	103"

NOTE: DIMENSIONS LISTED PERTAIN ONLY TO STANDARD FINISHED OPENING HEIGHTS. PLEASE VERIFY YOUR FINISHED OPENING HEIGHT WITH THE FACTORY PRIOR TO DRILLING. CONTACT THE FACTORY AT 1-800-547-6856.



IMPORTANT:

DIMENSIONS SHOWN ARE MEASURED UP FROM THE FINISHED FLOOR LINE.

Figure 6