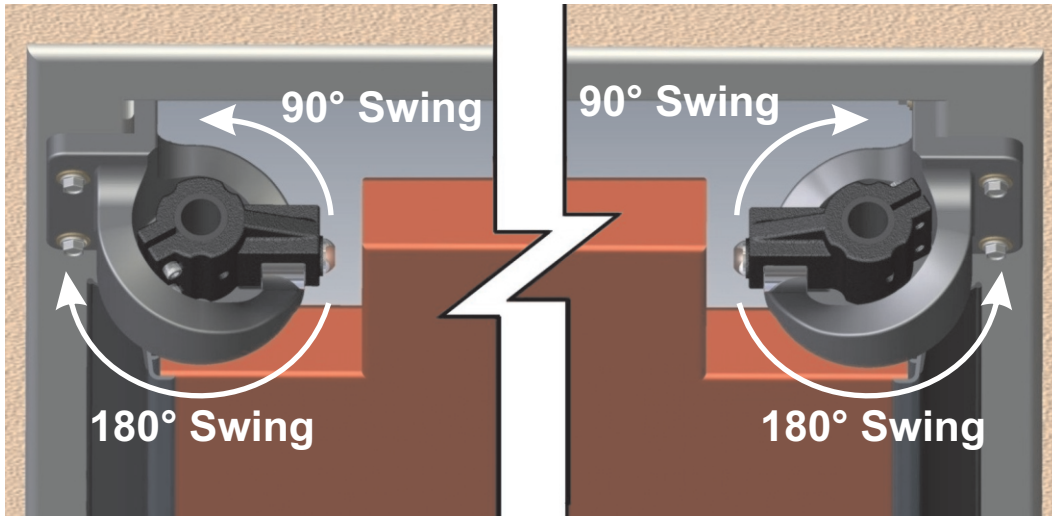
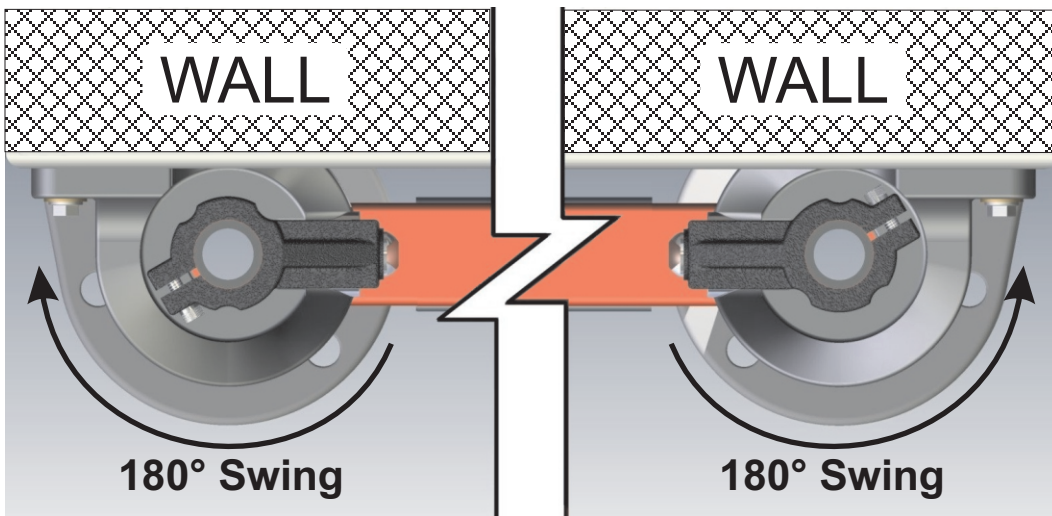


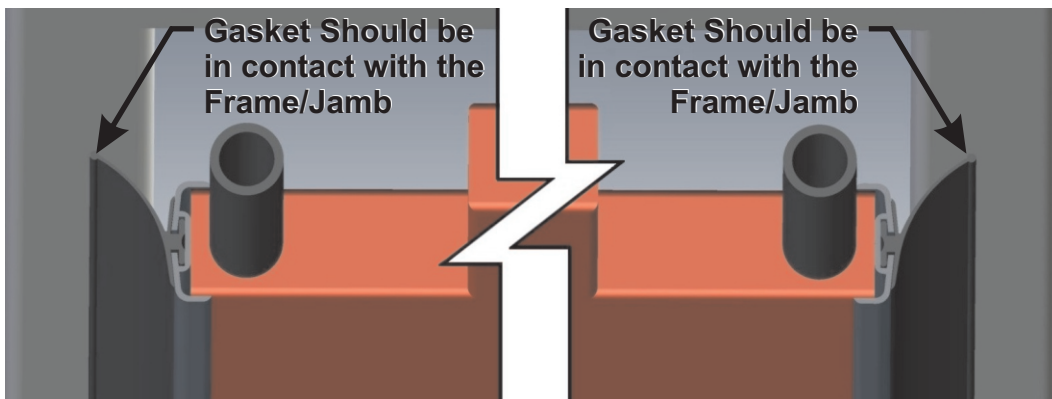
# Durulite® Retailer 180° x 90° Hardware Placement



**IMPORTANT:** Hardware must be positioned as shown above for the doors to operate properly. Failure to install doors as shown will result in damage to doors and/or personal injury. The bottom of the Vcams are marked with an “L” for Left and an “R” for Right, to assist you in determining the correct side for the VCams.



Roller Assembly must be placed parallel to the Wall and Door to achieve the desired swing, See **IMPORTANT** note above.



Set the doors into the hardware so the Back Gasket is touching the Face of the Frame/Jamb. This will create the best possible seal for the opening. Gaskets facing away from the Frame/Jamb are installed incorrectly. Remove the gasket and flip top to bottom. Then reinstall the gasket to correct the error.