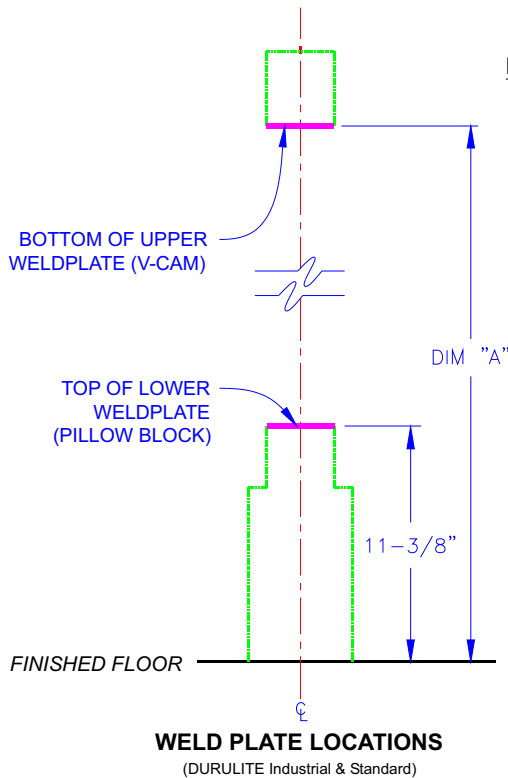


WELD PLATE INSTRUCTIONS

1. Mark jamb centerline at top of jamb and plumb to the bottom. Mark bottom plumb line.
2. Match centerlines of template to centerlines on jamb and fasten with tape.
3. Mark lines from template onto jamb with a straight edge. Remove template.
4. Locate weld plates on jamb as shown in Figure 1-A, 2-A, & 2-B (studs and threaded holes must be oriented as shown).

IMPORTANT: Weld plates MUST be aligned in the center of jamb and square with jamb for proper operation of doors. **Check before proceeding.**

5. Weld the plates to the jamb. Do Not extend the bead of the weld onto the face of the plates.
6. Complete door installation as per Step 2 of your Durulite installation instructions.



HARDWARE LOCATION (90° Hardware with WELD PLATES Only)

DOOR HEIGHT	DIM "A"
78"	72.375"
80"	74.375"
84"	78.375"
90"	84.375"
96"	90.375"
102"	96.375"
108"	102.375"
114"	108.375"
120"	114.375"

IMPORTANT:
DIMENSIONS SHOWN
ARE MEASURED UP
FROM THE FINISHED
FLOOR LINE.

FASTENERS

Industrial Pillow Block Weld Plate:

- 1/4"-20X3/4" Hex Bolts - 3 ea. with Lock Washers
- 1/4" Castle Nuts - 5 ea. with Lock and Flat Washers

Standard Pillow Block Weld Plate:

- 1/4"-20X3/4" Hex Bolts - 3 ea. with Lock Washers
- 1/4" Castle Nuts - 1 ea. with Lock and Flat Washers

V-Cam Weld Plate:

- 1/4"-20X5/8" Hex Bolts - 2 ea. with Lock Washers
- 1/4" Castle Nuts - 2 ea. with Lock and Flat Washers

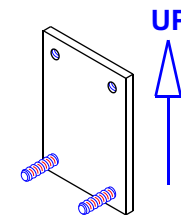


FIGURE 2-B

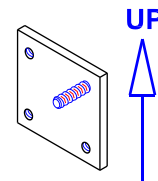


FIGURE 2-A

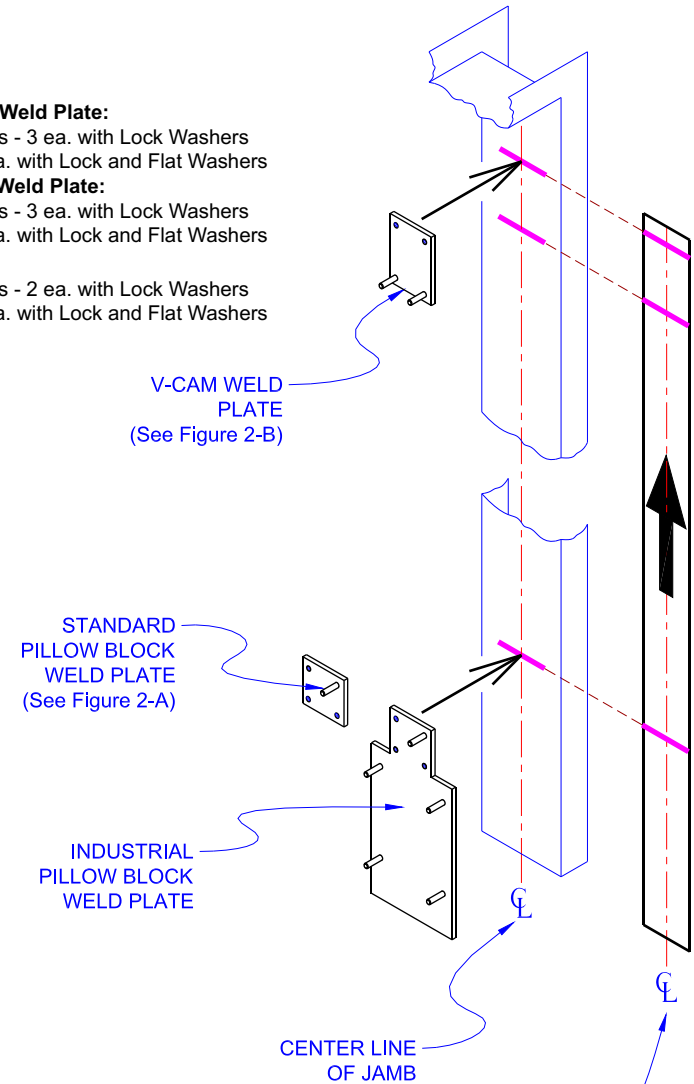


FIGURE 1-A

Chase Doors
World's Leading Manufacturer Of Traffic Doors
Cincinnati Ohio, and Redmond Oregon
Phone Toll Free: 1-800-543-4455 • www.chasedoors.com

CHECKED BY	DATE
REV	DRAWN BY DATE
-	MLW 05-05-00
Title: WELD PLATE INSTRUCTIONS	
Scale: N.T.S.	DWG Name: WELDPLATES.DWG
Drawn By: MLW	Sheet 1 of 1 Date: 11-08-01