



Tel: (800) 543-4455

www.chasedoors.com

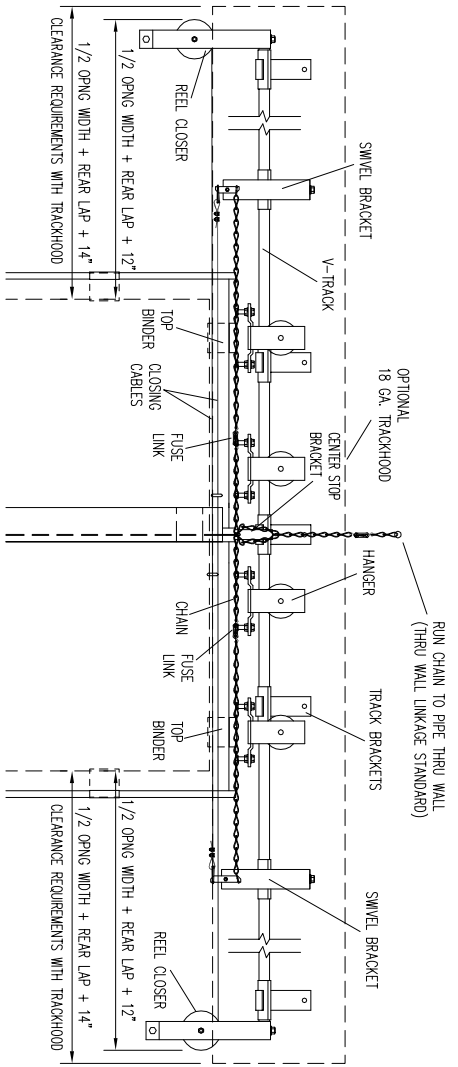
Chase Doors

FAX: (800) 978-6570

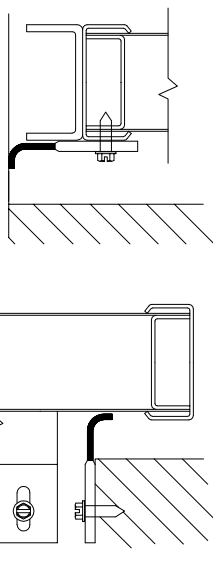
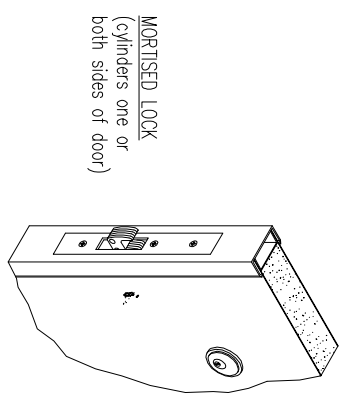
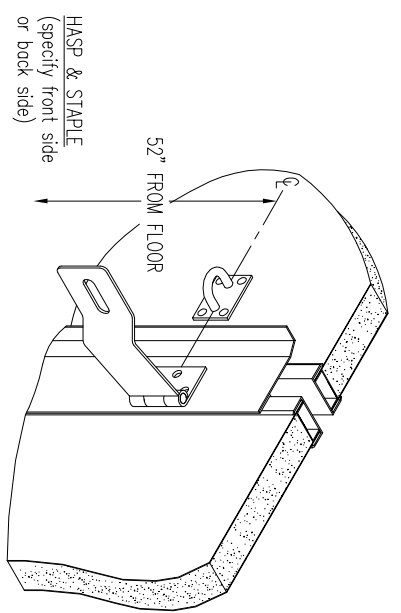
SAINO SERIES 3001
SAINO SERIES 4001, 250° F. TEMP. RISE
 U.L. LABELED MODULAR DOORS

REEL CLOSING SYSTEM

ALTERNATE CLOSING SYSTEMS



SPECIAL NOTE: FOR OPENINGS LARGER THAN 16'-0" x 8'-0" ADD 3" TO OPENING SIDE CLEARANCES.



OPTIONAL ITEMS

| NO. PRINTS | FOR | DATE | REVISED |
|------------|-----|------|---------|
| | | | |

| JOB | CUSTOMER NO: | NO. PRINTS | FOR | DATE | REVISED |
|---------|-----------------|-----------------------------------|-----|------|---------|
| | | | | | |
| SOLD TO | CHASE ORDER NO: | PERIMETER WEATHERSTRIPPING | | | |
| | DRAWN BY: | DUAL DURETHER W/STRIP DOOR BOTTOM | | | |
| | SHEET | OF | | | |