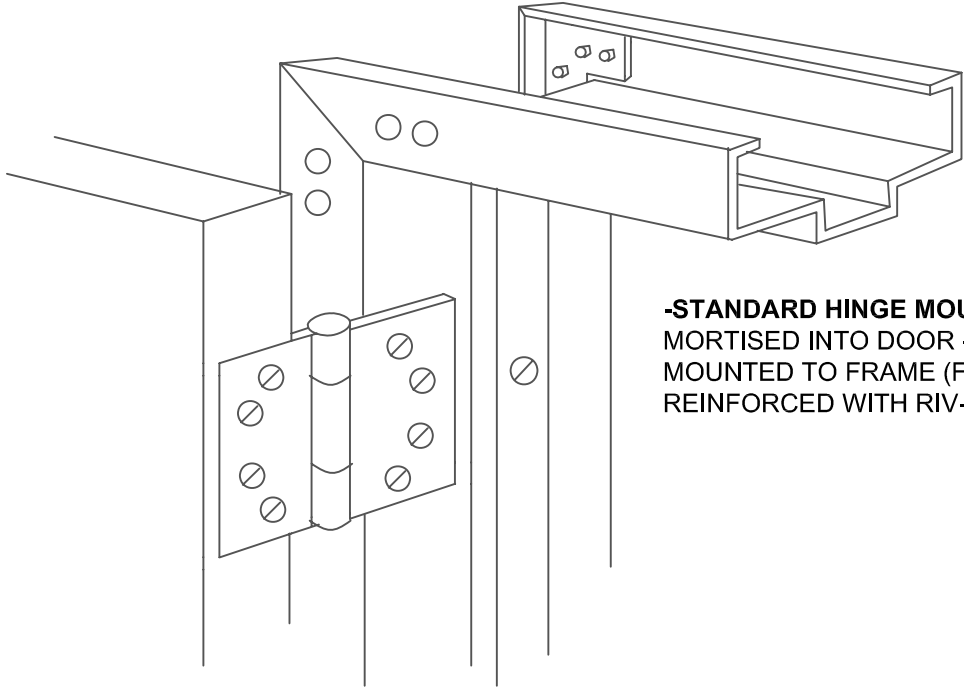
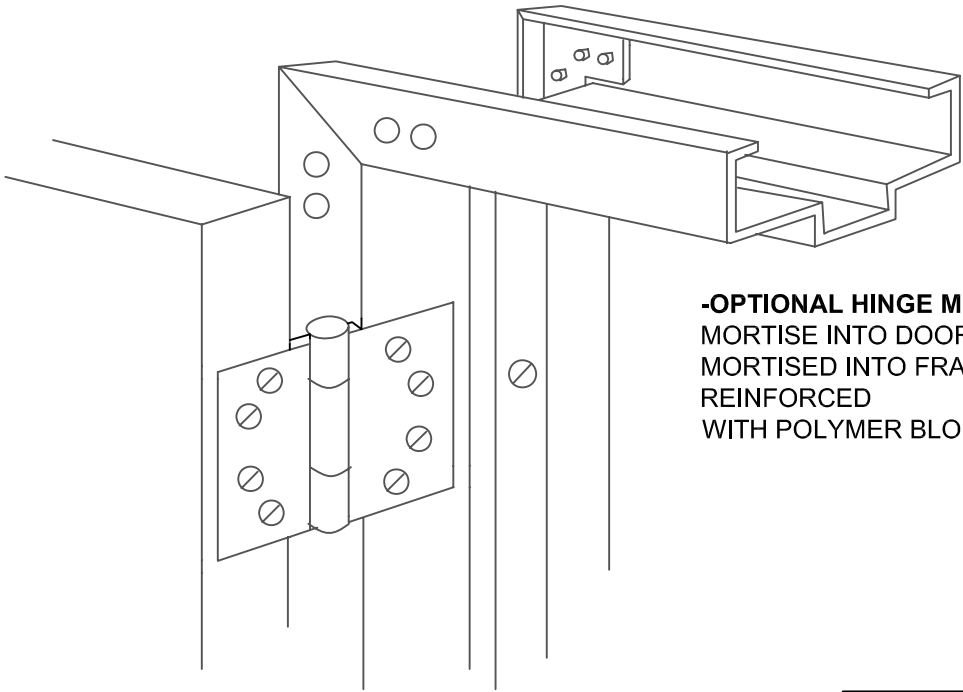


# HINGE MOUNTING DETAILS



**-STANDARD HINGE MOUNTING -**  
MORTISED INTO DOOR - SURFACE  
MOUNTED TO FRAME (FRAME  
REINFORCED WITH RIV-NUT)



**-OPTIONAL HINGE MOUNTING-**  
MORTISE INTO DOOR AND  
MORTISED INTO FRAME (FRAME  
REINFORCED  
WITH POLYMER BLOCKING)



## HINGE MOUNTING DETAILS

DWG NAME hingedetail.dwg	SCALE none	DRAWN BY TM
-----------------------------	---------------	----------------