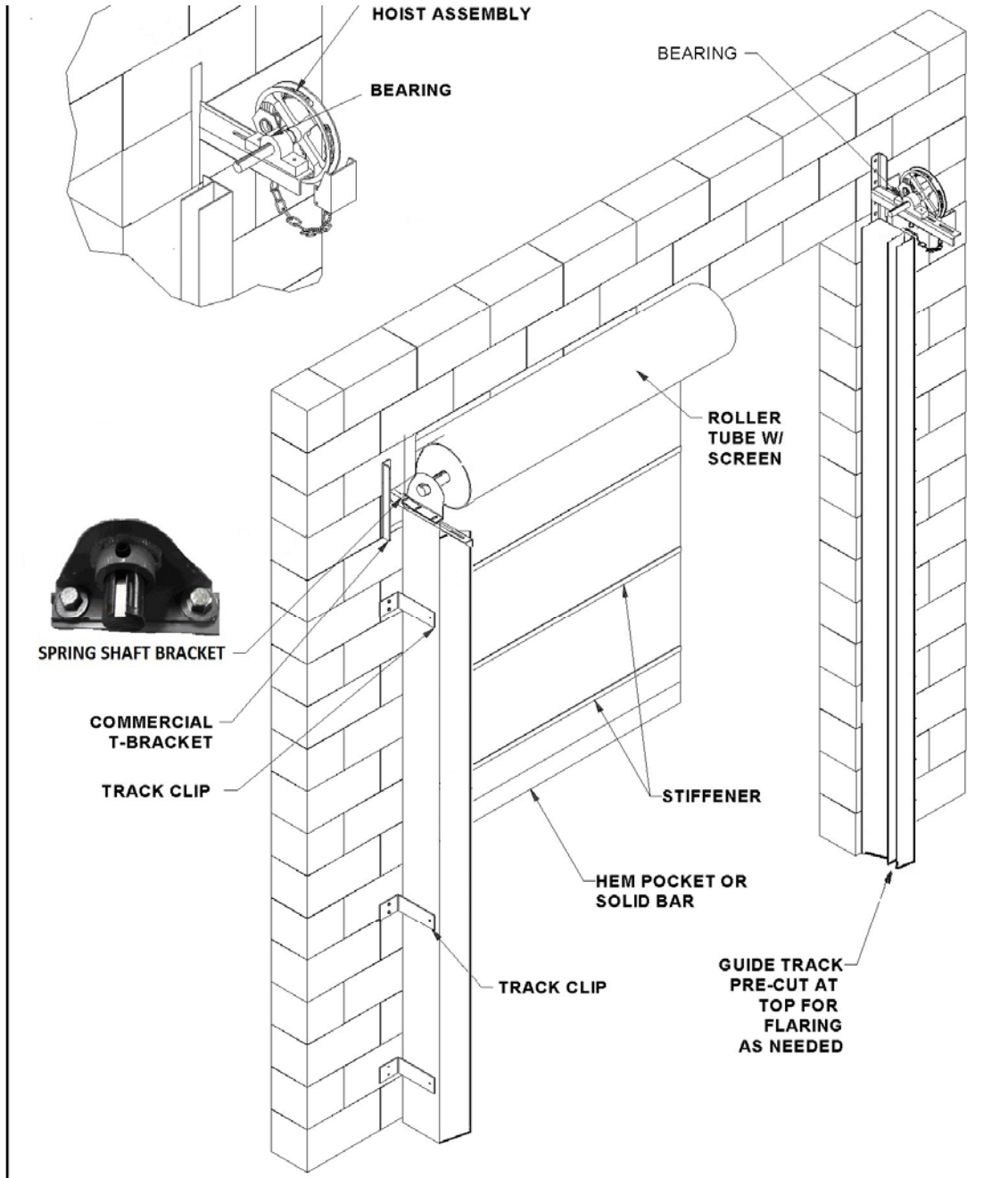


DuraShield Installation Manual

Chain Hoist – Face of Wall – 5 Inch Spring

CHAIN HOIST FACE OF WALL GENERAL MOUNTING DIAGRAM



DuraShield Installation Manual

Chain Hoist – Face of Wall – 5 Inch Spring

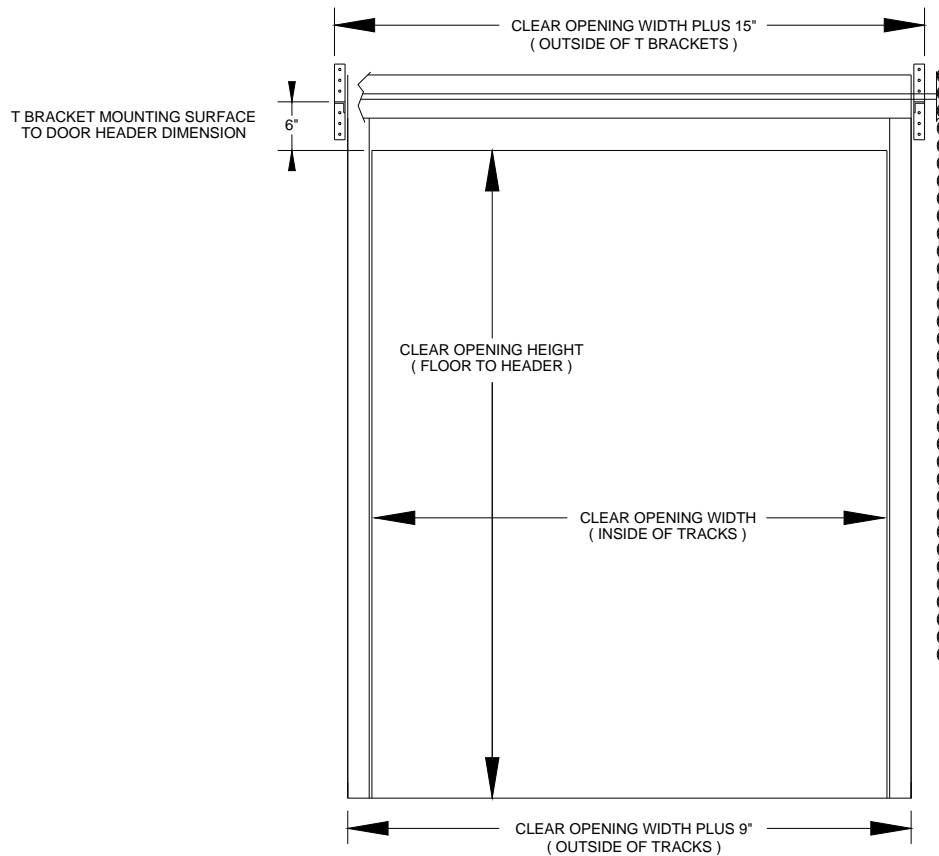
1. Wall preparation – refer to following drawing

Note and understand the clear opening width and height dimensions of the purchased door before proceeding with the installation.

The door must be securely mounted to a smooth surface. If necessary, based on the wall construction, a metal plate would be installed to the wall as a mounting surface for the T Brackets (by installer). Typically a 12” x 12” plate would be needed.

The door, of course, needs to be mounted so that the head and roll are level and square. The guide tracks must also be square and level in relation to the header, the wall and each other.

Failure to properly secure, level and square the door components during installation may result in premature wear and failure of components which will not be covered by manufacturer warranty.



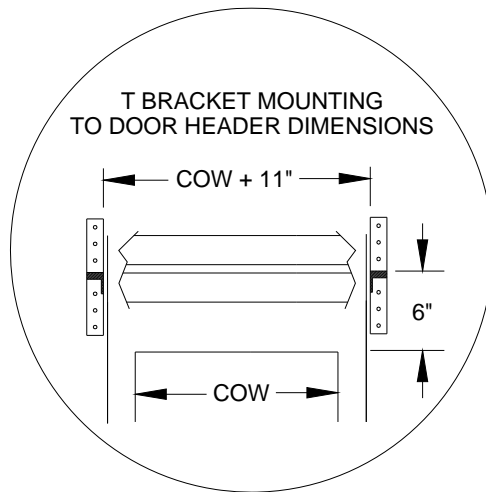
Door dimension drawing

DuraShield Installation Manual

Chain Hoist – Face of Wall – 5 Inch Spring

2. T Bracket Installation

Referring to the door size and following drawing, locate and mount the T Brackets using appropriate fasteners for the wall surface. The T Bracket bearing mounting surface should be located to be at minimum 6" above the door header as shown. The inside mounting dimension of the T Brackets is Clear Opening Width + 11 inches, centered on the opening.



Right side shown, Left side opposite

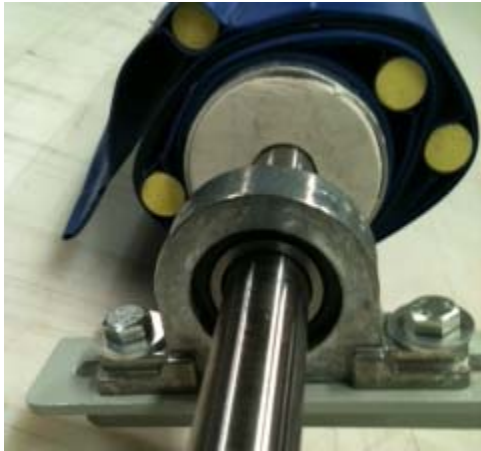
DuraShield Installation Manual

Chain Hoist – Face of Wall – 5 Inch Spring

3. Roll Installation - NOTE: If you have a Roll Cover with Roll Cover Brackets provided see section 9 for installation before installing the Roll

Lift the roll into position. On the drive side, locate the pillow block onto the T Bracket and install the Bearing block to T bracket bolts. On the non drive side, locate and slide the Shaft Retainer Bracket onto the shaft and install the T Bracket bolts. Align the shaft keyway as shown with the locking allen screw and tighten the locking screw securely.

Be sure the curtain is coming off the back of the roll.

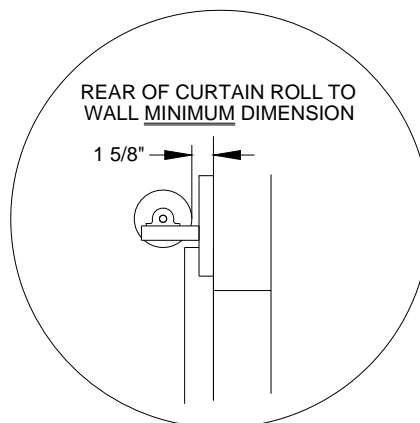


Standard Pillow Block Bearing



Shaft Retainer Bracket used with Balancing Spring

Adjust the roll to wall dimension for both T Brackets as shown below and tighten the Bearing and Retainer bolts.

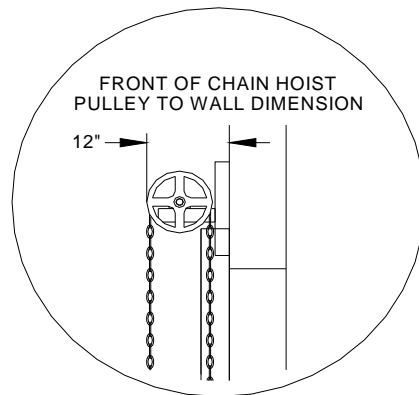


DuraShield Installation Manual

Chain Hoist – Face of Wall – 5 Inch Spring

4. Chain Hoist Installation

Install the set collar, chain guard, keyed chain hoist wheel and second set collar onto the extended shaft. Tighten the set screws securely. Install the chain around the wheel. Chain can be cut to desired length and a coupling chain link is provided. Install the wall mount chain stop at a convenient height.



Chain hoist showing Chain Stop and Stop block installed

DuraShield Installation Manual

Chain Hoist – Face of Wall – 5 Inch Spring

5. Installation of Guide Tracks - refer to Door Dimension Drawing on page 2

Measure the Guide Tracks provided as they may need to be cut on site during installation. Be sure to cut the bottom of the track if needed. The top of the guide tracks should be 2 inches minimum to 3 inches maximum from the fully opened curtain roll.

The Guide Tracks are slotted on one end. This is the top. The rear of the Guide Track should be flat against the wall surface and are mounted to the wall using Guide Track L Brackets using a two foot spacing. Tracks are mounted to the floor using two Guide Track L Brackets if desired.

The slotted tabs on the top of the track are bent outward at an angle. Bend the rear until it reaches the wall and bend the front to approximately the same angle. Insert the end of the curtain into the track.



Guide Track Mounting Bracket



Top Track Adjustment

DuraShield Installation Manual

Chain Hoist – Face of Wall – 5 Inch Spring

6. Setting Counterbalance spring tension and door position

Curtain straps or ties must be put in place if needed to tension the spring.



Using the chain hoist, roll the tube as though closing the door for 2-3 revolutions of the roll. With the door in the open position latch the hoist chain to the chain stop.

Install the Stop Block mechanism on the chain as shown on page 5. Position it so that the door will not roll up higher than the Clear Opening Height. Leave the curtain in the fully opened position. Remove the curtain straps. Operate the door closed and opened several times to allow the curtain to seat itself on the roll tube.

When closing note that closing too far will allow excess material to gather on the floor and may cause premature wear on the material on the bottom of the curtain. Close the door and latch the hoist chain to the chain stop.

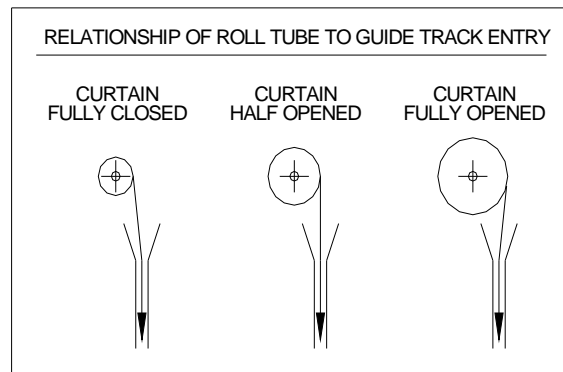
If the spring tension needs adjustment now or at any point after this the curtain must be rolled up and the curtain straps reinstalled. Then the spring tension can be adjusted as was previously done.

DuraShield Installation Manual

Chain Hoist – Face of Wall – 5 Inch Spring

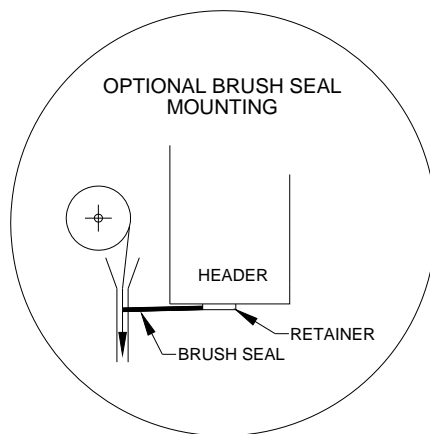
7. Confirm adjustment of roll clearance in Guide Tracks -

Be sure that both ends of the roll on the T Brackets maintain entry of the curtain into the Guide Tracks at the curtain positions as shown below and to the minimum dimension shown on page 4. Fully tighten all roll mounting bolts. It could be necessary to drill additional holes in the T Brackets to properly adjust the roll to wall clearance.



8. Installation of Optional Header Brush Seal -

Install the curtain brush seal by attaching it to the bottom of the header as shown. Be sure that the brush seal contacts the curtain when in the full closed position but does not press so hard to deform the curtain.



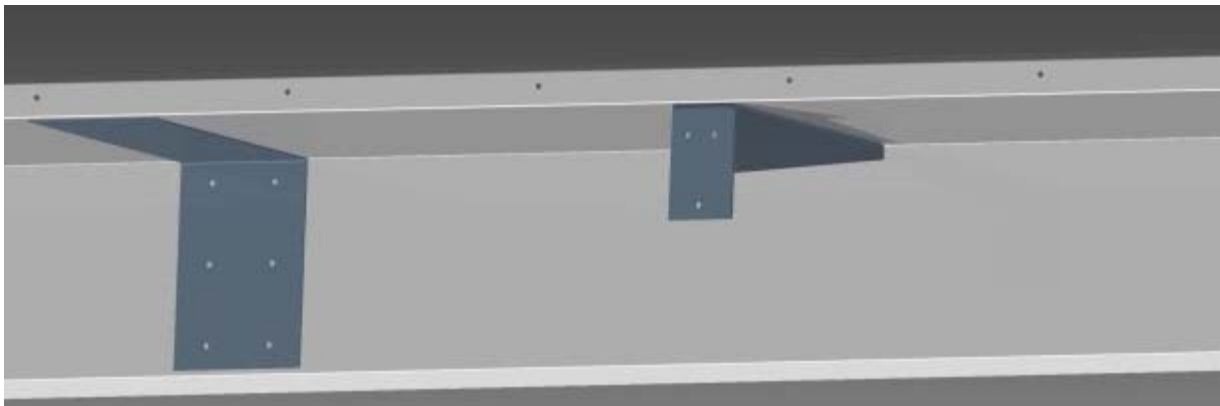
View looking up at door header

DuraShield Installation Manual

Chain Hoist – Face of Wall – 5 Inch Spring

9. Installation of Optional Roll Cover -

Center the roll cover over the roll. Fasten securely to the wall.



Splice Plate

Roll Cover Bracket

If your Roll Cover comes in multiple pieces a Splice Plate is provided, as shown, to connect the Roll Cover sections together. On wider Roll Covers, support brackets are provided as shown. The Roll Cover Brackets should be mounted to the wall to support the weight of the Roll Cover. They would be installed prior to installing the Roll as in section 3. They should be mounted so that the Roll Cover will be level when installed. They should be mounted near each end of the Roll Cover location and then spaced at approximately 24” apart. The Roll Cover is then lifted onto the installed support brackets and secured to the wall as normal. The Roll Cover does not attach to the support brackets, just to the wall. Any openings in the end caps, for shafts etc., are to be done by the installer on site.

DuraShield Installation Manual

Chain Hoist – Face of Wall – 5 Inch Spring

10. Final Assembly -

Go back and recheck all fasteners on the door assembly for tightness

Confirm correct opening and closing positions as well as spring tension

Confirm curtain to guide track clearances per section 7. Be sure that guide tracks are clean and grease free inside and out.

Make sure end user is familiar with operation and has all manuals

DuraShield Installation Manual

Chain Hoist – Face of Wall – 5 Inch Spring