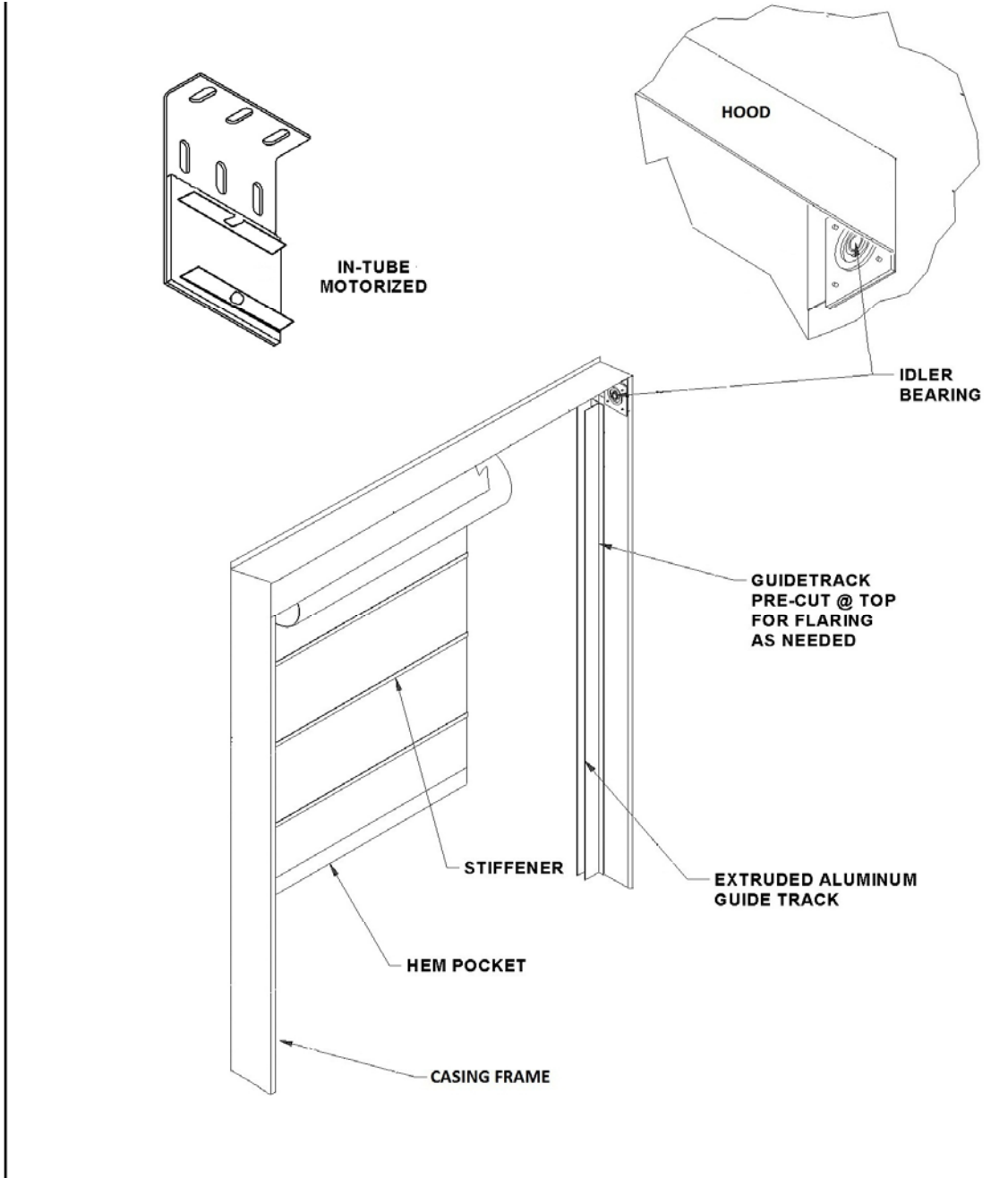


DuraShield Installation Manual

In Tube Motor - Simu – Casing

SIMU IN-TUBE MOTOR - CASING GENERAL MOUNTING DIAGRAM



DuraShield Installation Manual

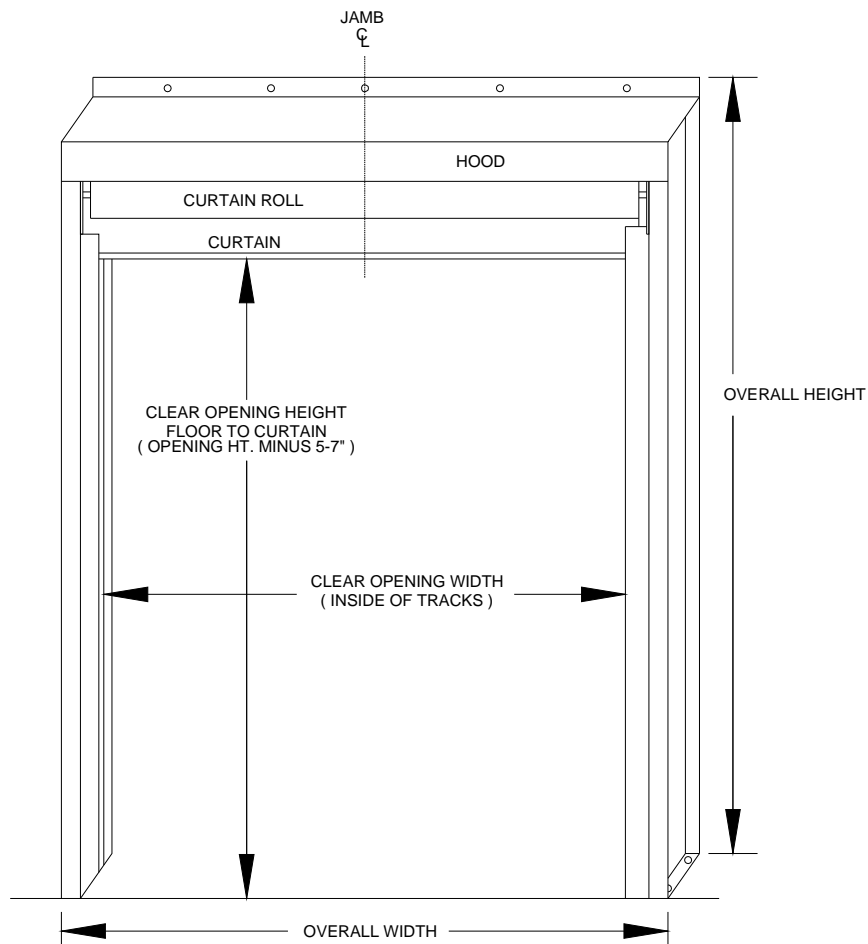
In Tube Motor - Simu – Casing

1. Wall preparation – refer to following drawing

Note and understand the clear opening width and height dimensions of the purchased door before proceeding with the installation.

The Casing and door, of course, needs to be mounted so that the head and roll are level and square. The Casing and Guide Tracks must also be square and level in relation to the header, the wall and each other.

Failure to properly secure, level and square the Casing door components during installation may result in premature wear and failure of components which will not be covered by manufacturer warranty.



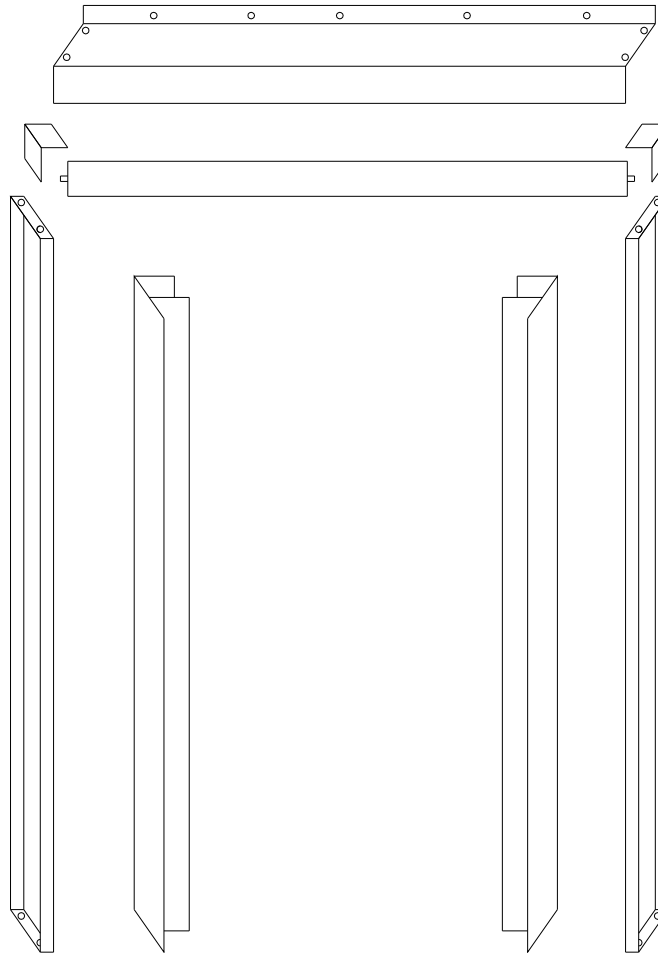
Casing Door dimension drawing

DuraShield Installation Manual

In Tube Motor - Simu – Casing

2. Casing Assembly

The Casing arrives in three parts, (refer to section 1), the left and right side casings and the hood. The Casing and the Curtain Roll should be assembled on the floor and then stood up, centered, and secured into the opening. Fasteners for assembly of the casing are supplied. Fasteners to secure the assembled casing to the wall and floor are supplied by the installer. Referring to the door size and following drawings, locate and mount the L Brackets using supplied fasteners for the Casing jamb surface. The L Bracket mounting holes are in the casing uprights. The L Brackets should be located so that the top of the curtain roll (curtain fully opened) is at minimum 1/2" below the door header as shown. Handing of the door will determine by the location of the Motor and Bearing brackets. The curtain ALWAYS rolls down off the back side of the roll.



Casing Door structure and parts view

DuraShield Installation Manual

In Tube Motor - Simu – Casing

3. Roll Installation -

With the assembled casing on the floor lift the spring end of the roll and insert it into the bearing. Be sure the limit switch adjustment buttons are facing out to the front and that the cord exit position will not cause interference with operation of the roll. Push the roll towards the bearing end which will compress the spring and allow the installation of the roll into the mounting ring. Push the roll into the mounting ring until the snap spring is fully engaged.



Exploded view of motorized side



Bearing side



Motor mounting bracket



Limit switch location

DuraShield Installation Manual

In Tube Motor - Simu – Casing

4. Installation of Guide Tracks - refer to Door Dimension Drawings on pages 2 and 3

Measure the Guide Tracks provided as they may need to be cut on site during installation. The top of the guide tracks should be 2 inches minimum to 3 inches maximum from the fully opened curtain roll.

The Guide Tracks are slotted on one end. This is the top. The side of the Guide Track should be flat against the jamb surface and securely mounted. Of course the Guide tracks must be mounted plumb and level to the Header and Curtain.

The slotted tabs on the top of the track are bent outward at an angle. Bend the front and rear to form a “Y” shape. See drawings below. Insert the end of the curtain into the track.



Guide Track Mounting
Inside of door jamb



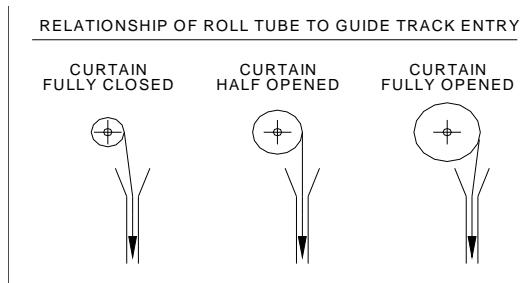
Top Track Adjustment
for curtain entrance

DuraShield Installation Manual

In Tube Motor - Simu – Casing

5. Confirm adjustment of roll clearance in Guide Tracks -

Be sure that both ends of the roll maintain proper entry of the curtain into the Guide Tracks at the curtain positions as shown below and to the minimum dimension shown on page 3.



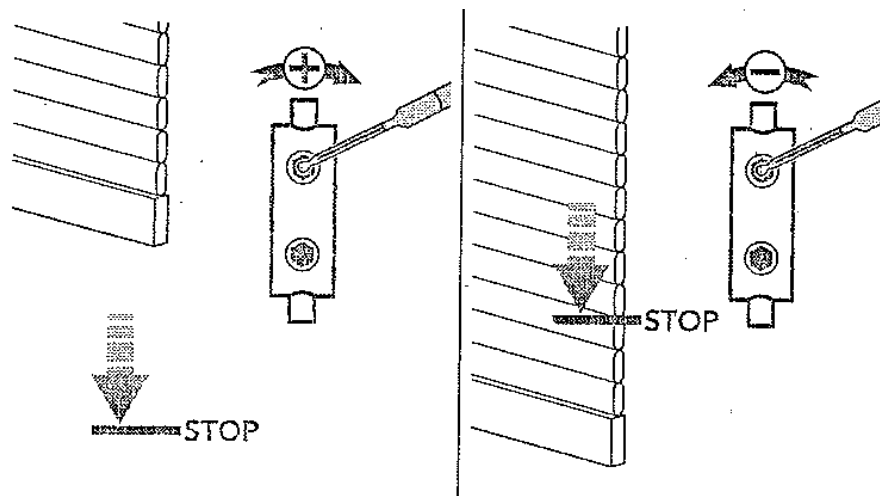
6. Adjustment of Limit Switches – Simu motor only

Be sure the curtain is coming off the back of the roll towards the wall.

Plug in the supplied power cord from the 3 button station to a 120 VAC power source.

Start Limit Switch Adjustment in the closed direction. When adjusting the opened position use care to not roll the curtain over the top of the roll.

The Limit Switch Adjustment screws allow about 1 inch of travel per 2-3 turns

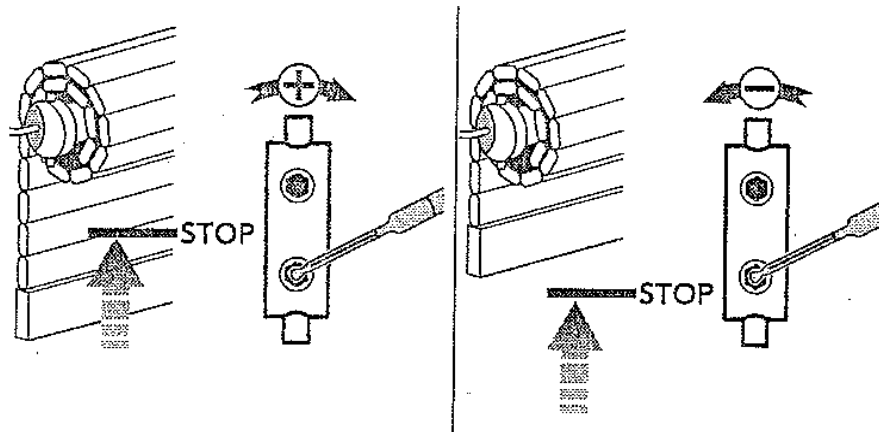


CLOSED LIMIT SWITCH – (+) Lowers closing height, (-) Raises closing height

DuraShield Installation Manual

In Tube Motor - Simu – Casing

Adjustment continued –



OPENED LIMIT SWITCH – (+) Raises opening height, (-) Lowers opening height

Start by closing the door until it stops. It should stop before the fully closed position. Adjust the door closed position limit switch, as in the figure above, until the bottom of the door just seals on the floor. Do not allow material to bunch on the floor.

Open the door until it stops but manually stop it before it goes high enough to roll over the top. Adjust the door opened position so that the material stops at the door header. The door should not open higher than the header.

NOTE: The motor is not rated for continuous usage. There is a built in Thermal Overload device that limits continuous usage to approximately 5 minutes. If tripped, the overload device will allow motor operation once the motor has cooled to an acceptable operational temperature.

7. Pushbutton Station wiring -

The 3 button pushbutton station comes pre-wired for connection to a 120 VAC power source. To change the motor rotation, usually because the pushbuttons are operating the door in the opposite direction than required, remove power from the 3 button station and switch the Red and Black wires on the open and close pushbutton terminals. Be sure the curtain is coming off the back of the roll towards the wall before changing rotation direction.

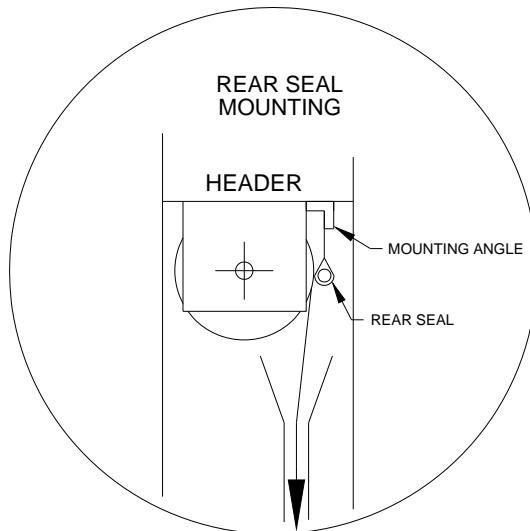
DuraShield Installation Manual

In Tube Motor - Simu – Casing



8. Installation of Rear Seal -

Install the Rear seal by attaching it to the bottom of the header on the rear of the roll as shown. (fasteners not included) Be sure that the seal mounts so that it contacts the curtain when in the fully closed position



View looking end of the Seal

DuraShield Installation Manual

In Tube Motor - Simu – Casing

9. Final Assembly -

Go back and recheck all fasteners on the door assembly for tightness

Confirm correct opening and closing positions. Reset limit switches if needed.

Confirm curtain to guide track clearances per section 5. Be sure that guide tracks are clean and grease free inside and out.

Make sure end user is familiar with operation and has all manuals