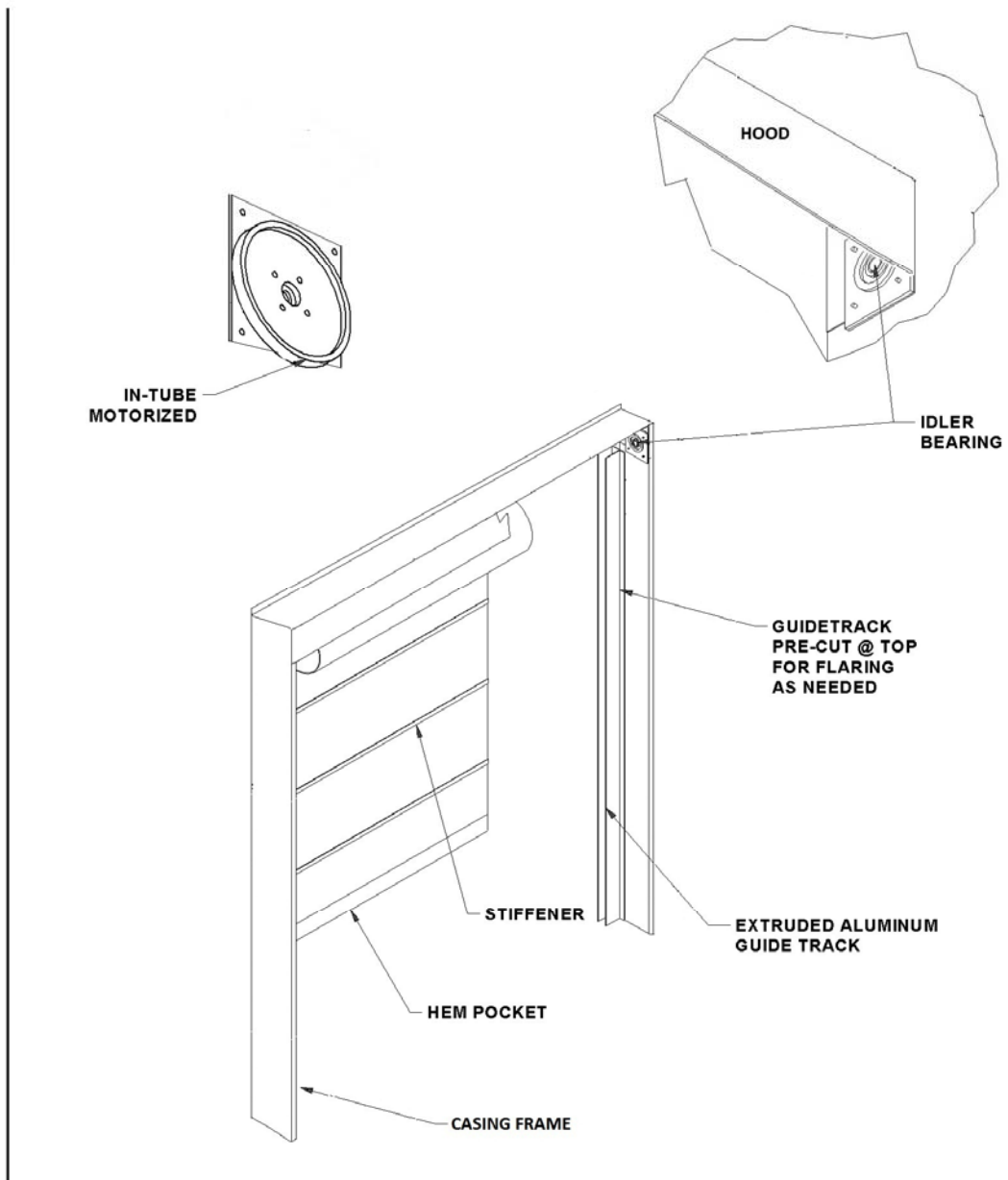


# DuraShield Installation Manual

## In Tube Motor- Somfy – Casing

### SOMFY IN-TUBE MOTOR – CASING MOUNT GENERAL MOUNTING DIAGRAM



# DuraShield Installation Manual

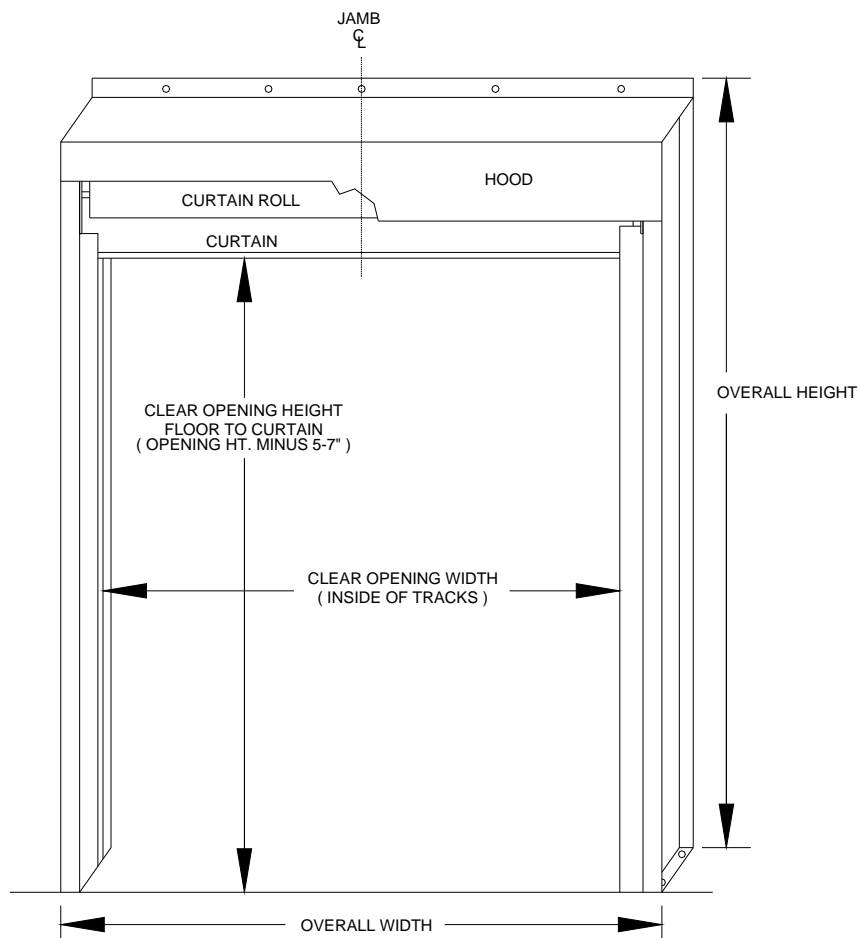
## In Tube Motor- Somfy – Casing

### 1. Wall preparation – refer to following drawing

Note and understand the clear opening width and height dimensions of the purchased door before proceeding with the installation.

The Casing and door, of course, needs to be mounted so that the head and roll are level and square. The Casing and Guide Tracks must also be square and level in relation to the header, the wall and each other.

Failure to properly secure, level and square the Casing door components during installation may result in premature wear and failure of components which will not be covered by manufacturer warranty.



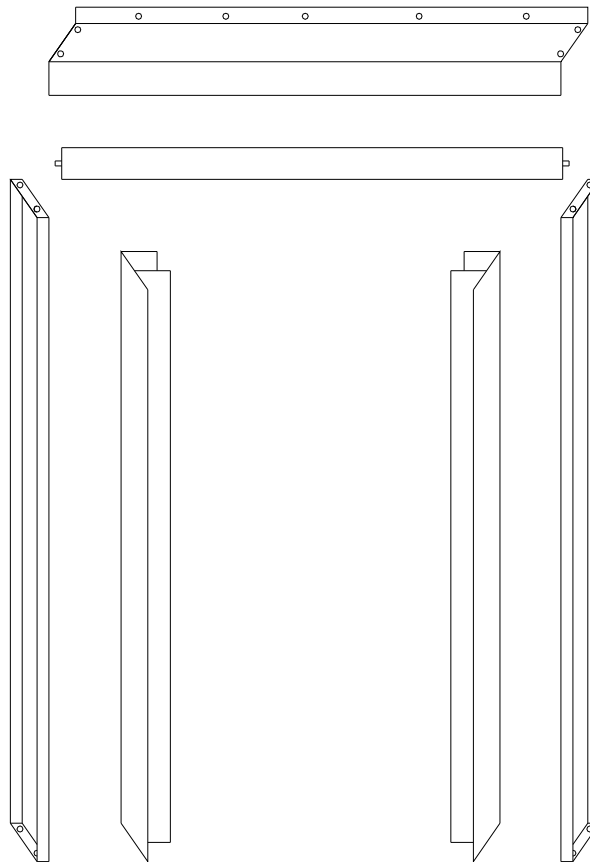
**Casing Door dimension drawing**

# DuraShield Installation Manual

## In Tube Motor- Somfy – Casing

### 2. Casing Assembly

The Casing arrives in three parts, (refer to section 1), the left and right side casings and the hood. The Casing and the Curtain Roll should be assembled on the floor and then stood up, centered, and secured into the opening. Fasteners for assembly of the casing are supplied. Fasteners to secure the assembled casing to the wall and floor are supplied by the installer. Referring to the door size and following drawings, locate and mount the Motor and Bearing brackets using supplied fasteners for the Casing jamb surface. The Motor and Bearing brackets mounting holes are in the casing uprights. Handing of the door will determine by the location of the Motor and Bearing brackets. The curtain ALWAYS rolls down off the back side of the roll.



Casing Door structure and parts view

# DuraShield Installation Manual

## In Tube Motor- Somfy – Casing

### 3. Roll Installation -

With the assembled casing on the floor lift the spring end of the roll and insert it into the bearing. Be sure the limit switch adjustment buttons are facing out to the front and that the cord exit position will not cause interference with operation of the roll. Push the roll towards the bearing end which will compress the spring and allow the installation of the roll into the mounting ring. Push the roll into the mounting ring until the snap spring is fully engaged.



Exploded view of motorized side



Bearing side



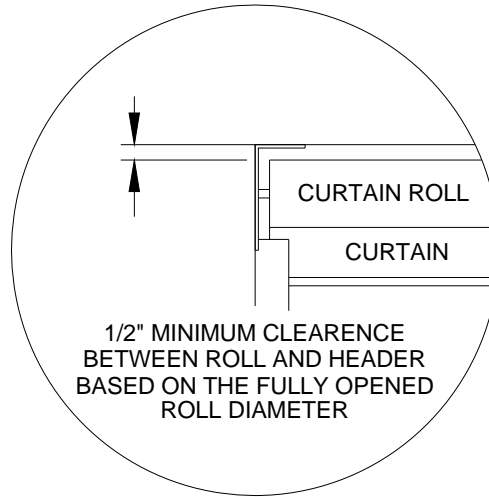
Motorized side guide



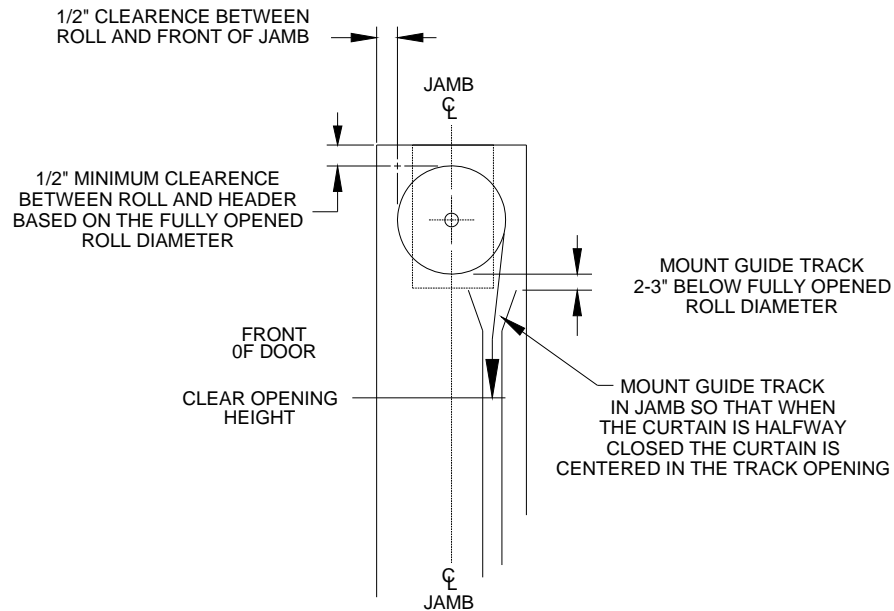
Bearing side guide

# DuraShield Installation Manual

## In Tube Motor- Somfy – Casing



Once the Curtain Roll is mounted insure the dimension as shown



General layout showing dimensions as mounted in the Casing

# DuraShield Installation Manual

## In Tube Motor- Somfy – Casing

### 4. Installation of Guide Tracks - refer to Door Dimension Drawings on pages 2 and 3

Measure the Guide Tracks provided as they may need to be cut on site during installation. The top of the guide tracks should be 2 inches minimum to 3 inches maximum from the fully opened curtain roll.

The Guide Tracks are slotted on one end. This is the top. The side of the Guide Track should be flat against the Casing Jamb surface and securely mounted. Of course the Guide tracks must be mounted plumb and level to the Header and Curtain.

The slotted tabs on the top of the track are bent outward at an angle. Bend the front and rear to form a “Y” shape. See drawings below. Remove plastic curtain retainers from the roll and insert the end of the curtain into the track.



Guide Track Mounting  
Inside of door jamb



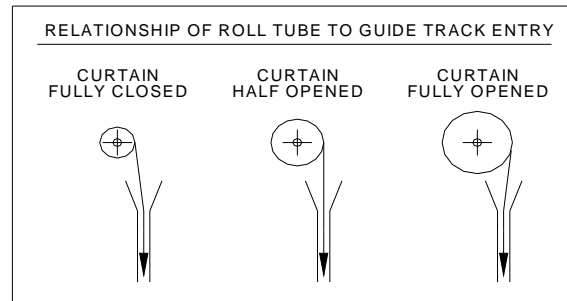
Top Track Adjustment  
for curtain entrance

# DuraShield Installation Manual

## In Tube Motor- Somfy – Casing

### 5. Confirm adjustment of roll clearance in Guide Tracks -

Be sure that both ends of the roll maintain proper entry of the curtain into the Guide Tracks at the curtain positions as shown below and to the minimum dimensions shown on page 3.



### 6. Adjustment of Limit Switches – Somfy motor only

Be sure the curtain is coming off the back of the roll towards the wall.

Plug in the supplied power cord from the 3 button station to a 120 VAC power source

Remove the Yellow Limit Switch Cover. Press both limit switch buttons to the locked down position. Press and hold the Close Pushbutton. If the door is not rotating in the same direction as the pushbutton indicates refer to page 8 to reverse motor rotation and for limit switch identification. When the curtain is close to the fully closed position release the Close Pushbutton to stop the door and press the closed limit switch so that it releases to the raised position. This sets the closed position. When closed the door should only contact the floor enough to seal. Closing too far will cause premature wear of the curtain material.

Repeat using the Open Pushbutton and the opened limit switch for the fully opened position. When fully opened the bottom of the curtain should be no higher than the door header.

When done, cycle the door by opening and closing several times to seat the curtain on the roll. At this time make final limit switch adjustments if needed and replace the limit switch adjustment button cover.

# DuraShield Installation Manual

## In Tube Motor- Somfy – Casing



Limit switch adjustment buttons. Cover shown removed.

**NOTE:** The motor is not rated for continuous usage. There is a built in Thermal Overload device that limits continuous usage to approximately 5 minutes. If tripped, the overload device will allow motor operation once the motor has cooled to an acceptable operational temperature.

### 7. Pushbutton Station wiring -

Mount the 3 button station on the wall on the drive side of the door.

The 3 button pushbutton station comes pre-wired for connection to a 120 VAC power source. To change the motor rotation, usually because the pushbuttons are operating the door in the opposite direction than required, remove power from the 3 button station and switch the Red and Black wires on the open and close pushbutton terminals. Be sure the curtain is coming off the back of the roll towards the rear of the jamb before changing rotation direction.

Left hand motor – Open = Red wire (yellow limit), Closed = Black wire (white limit)  
Right hand motor – Open = Black wire (white limit), Closed = Red wire (yellow limit)



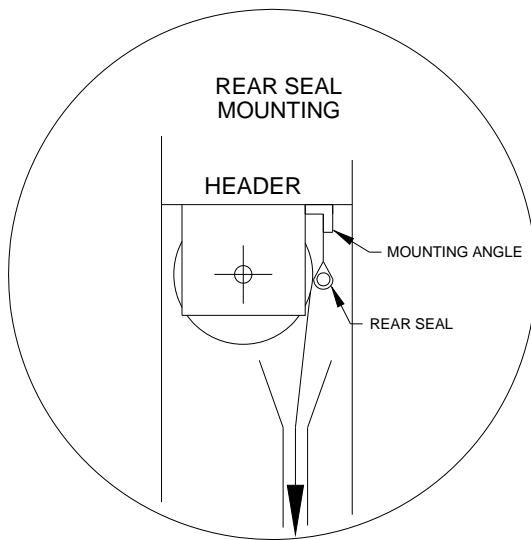


# DuraShield Installation Manual

## In Tube Motor- Somfy – Casing

### 8. Installation of Rear Seal -

Install the Rear seal by attaching it to the bottom of the header on the rear of the roll as shown. (fasteners not included) Be sure that the seal mounts so that it contacts the curtain when in the fully closed position.



View looking end of the Seal

### 9. Final Assembly -

Go back and recheck all fasteners on the Casing and door assembly for tightness

Confirm correct opening and closing positions. Reset limit switches if needed.

Confirm curtain to guide track clearances per section 5. Be sure that guide tracks are clean and grease free inside and out.

Make sure end user is familiar with operation and has all manuals

# **DuraShield Installation Manual**

In Tube Motor- Somfy – Casing