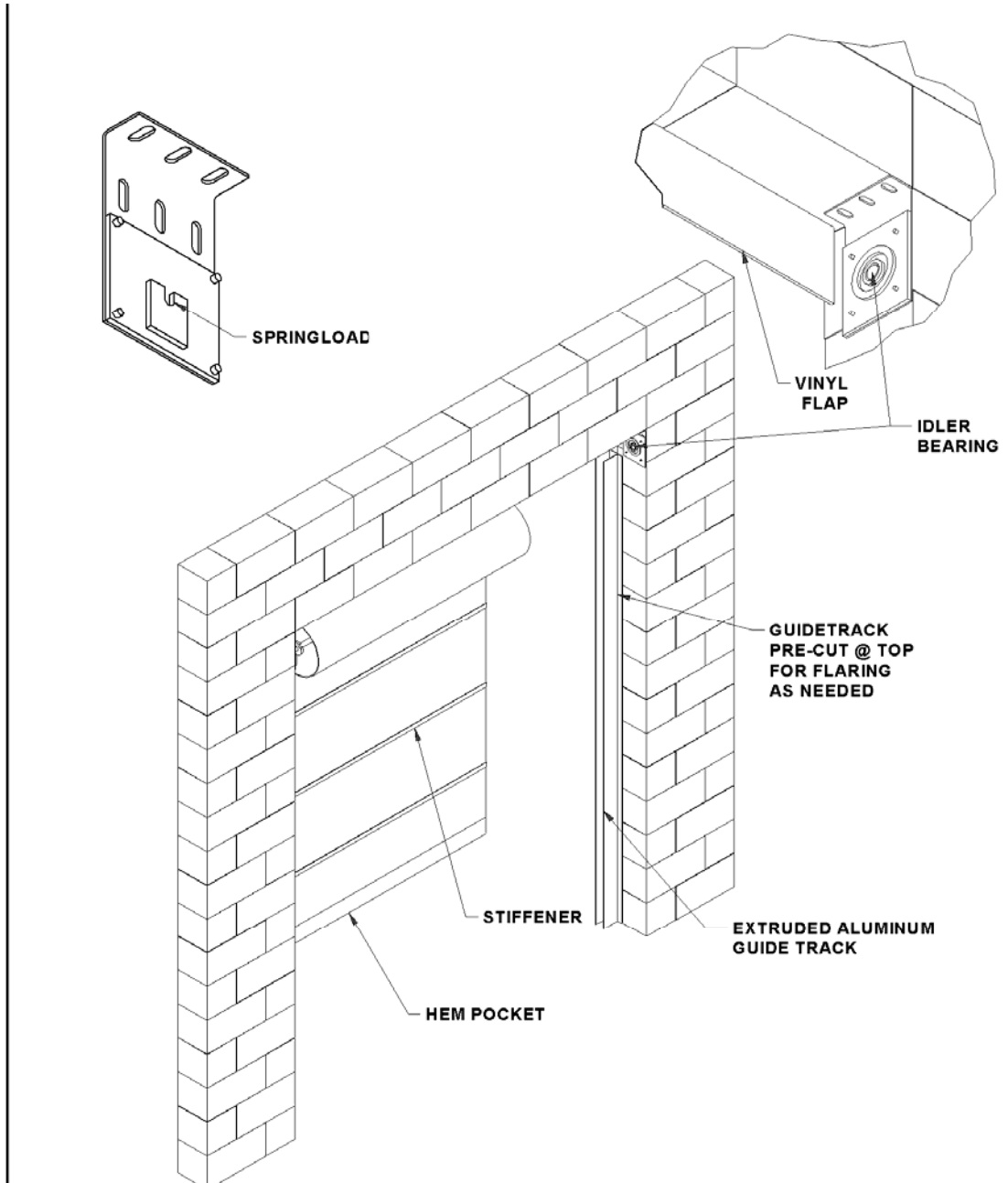


DuraShield Installation Manual

Springload – In Jamb – Da-lite Springtube

SPRINGLOAD IN JAMB GENERAL MOUNTING DIAGRAM



DuraShield Installation Manual

Springload – In Jamb – Da-lite Springtube

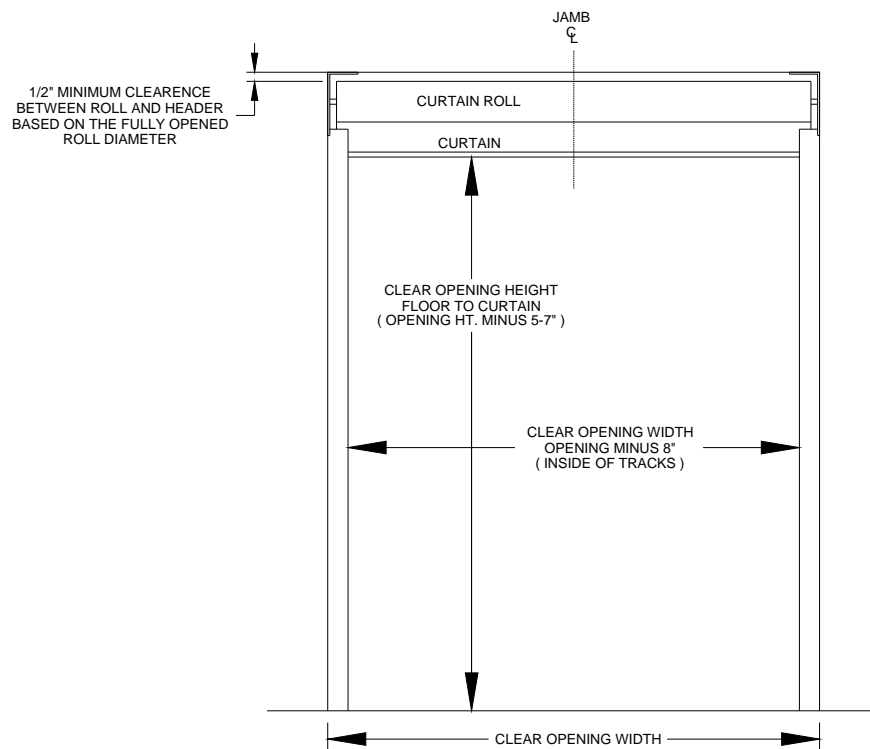
1. Wall preparation – refer to following drawing

Note and understand the clear opening width and height dimensions of the purchased door before proceeding with the installation.

The door Top L Brackets must be securely mounted to a smooth surface.

The door, of course, needs to be mounted so that the head and roll are level and square. The guide tracks must also be square and level in relation to the header, the wall and each other.

Failure to properly secure, level and square the door components during installation may result in premature wear and failure of components which will not be covered by manufacturer warranty.



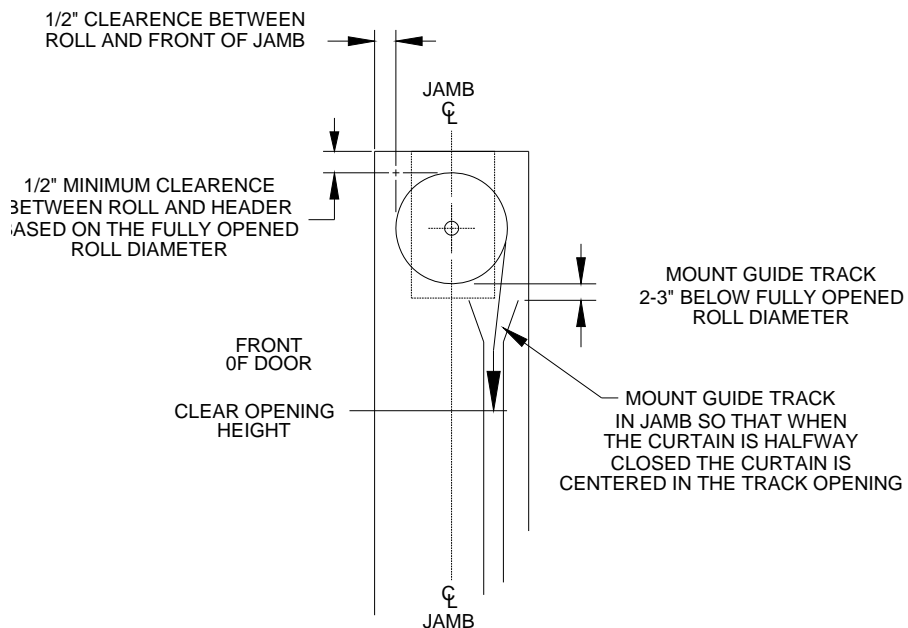
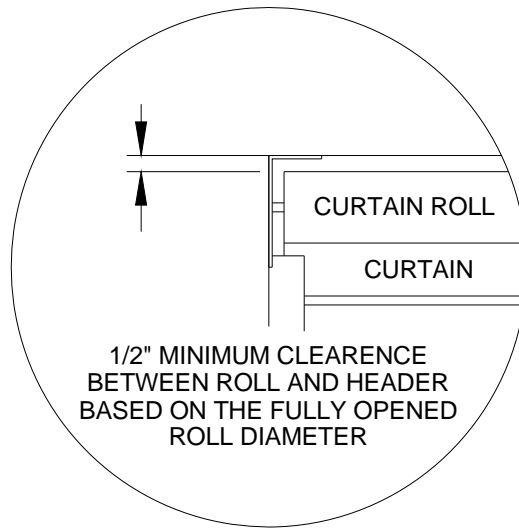
Door dimension drawing

DuraShield Installation Manual

Springload – In Jamb – Da-lite Springtube

2. L Bracket Installation

Referring to the door size and following drawing, locate and mount the L Brackets using appropriate fasteners for the jamb surface. The L Bracket mounting should be located so that the top of the curtain roll (curtain fully opened) is at minimum 1/2" below the door header as shown. The L Brackets can be put on the ends of the roll to use the roll diameter in determining the correct mounting dimensions. The door width including L Brackets are sized for mounting in the full width opening. The Cradle Bracket always goes on the left side with the curtain coming off of the back of the roll as you are looking at it.



DuraShield Installation Manual

Springload – In Jamb – Da-lite Springtube

3. Roll Installation

Be sure the curtain is coming off of the back of the roll. Lift the roll into position. Insert the spring end into the bearing. Insert the Counterbalance Spring end of the roll into the Cradle Bracket. Do not tighten the Cradle Bracket set screws yet.



Cradle Bracket, left side mount



Bearing Bracket, right side mount

NOTE: Both brackets shown mounted on the L Brackets

DO NOT UNTIE THE ROLLOVER STRAPS YET!

DuraShield Installation Manual

Springload – In Jamb – Da-lite Springtube

4. Installation of Guide Tracks - refer to Door Dimension Drawings on pages 2 and 3

Measure the Guide Tracks provided as they may need to be cut on site during installation. Be sure to cut the bottom of the track if needed. The top of the guide tracks should be 2 inches minimum to 3 inches maximum from the fully opened curtain roll.

The Guide Tracks are slotted on one end. This is the top. The side of the Guide Track should be flat against the jamb surface and securely mounted. Of course the Guide tracks must be mounted plumb and level to the Header and Curtain.

The slotted tabs on the top of the track are bent outward at an angle. Bend the front and rear to form a “Y” shape. See drawings below. Insert the end of the curtain into the track.



Guide Track Mounting
Inside of door jamb



Top Track Adjustment
for curtain entrance

DuraShield Installation Manual

Springload – In Jamb – Da-lite Springtube

5. Setting Counterbalance Spring tension and door position

The Rollover Straps must still be tied in place on the roll to tension the Counterbalance Spring.



Rollover Straps tied around roll



Rollover Strap Bracket with strap and Hitch Pin on Guide Track

While maintaining pressure on the roll against the Spring End Bearing lift the Counterbalance Spring end of the roll out of the Cradle Bracket. Using the Winding Handle, preload the Counterbalance Spring by winding clockwise putting 34 turns on it. This is an estimated starting tension. Final tension adjustment depends on door size and curtain weight. With the Winding Handle still in place reinsert the Counterbalance Spring end of the roll into the Cradle Bracket and while holding the Rollover Straps, so the curtain roll will not wind up, remove the Winding Handle.



Winding Handle Placement

Use care as the Counterbalance Spring is under tension and will unwind quickly if the Winding handle falls off or is let loose

Untie the curtain Rollover Straps and connect them to the Rollover Strap Brackets that are installed about halfway up on the Guide Tracks. Pull the door fully closed. Mark and drill the Guide Tracks so that the two Hitch Pins will go through the grommets in the curtain to hold the door in the fully closed position.

DuraShield Installation Manual

Springload – In Jamb – Da-lite Springtube

Setting Counterbalance Spring tension and door position continued -

Attach the Hitch Pin cables to the Guide track so they reach the hole you previously drilled for it in the Guide Track.

DO NOT ATTACH SO ANY FASTENER EXTENDS INTO THE GUIDE TRACK WHERE IT CAN COME INTO CONTACT WITH THE CURTAIN.

Open and close the door several times to allow the curtain to seat itself on the roll tube. The tension on the Counterbalance Spring should be balanced so that the door will open smoothly without running away while opening and be slightly tensioned while closing.

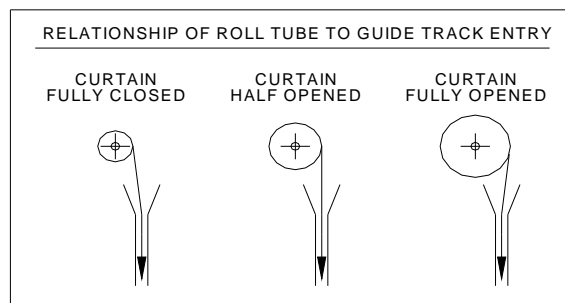
When closing note that closing too far will allow excess material to gather on the floor and may cause premature wear on the material on the bottom of the curtain. Adjust the Curtain Rollover Strap tension so that the straps are tight when the door is in the fully opened position.

If the Counterbalance Spring tension needs adjustment now, or at any point after this, the curtain must be rolled up, the Rollover Straps disconnected and tied around the curtain roll. Then the Counterbalance Spring tension can be adjusted as was previously done.

Tighten the Shaft Set Screws on the Cradle Bracket.

6. Confirm adjustment of roll clearance in Guide Tracks -

Be sure that both ends of the roll maintain proper entry of the curtain into the Guide Tracks at the curtain positions as shown below and to the minimum dimension shown on page 3.

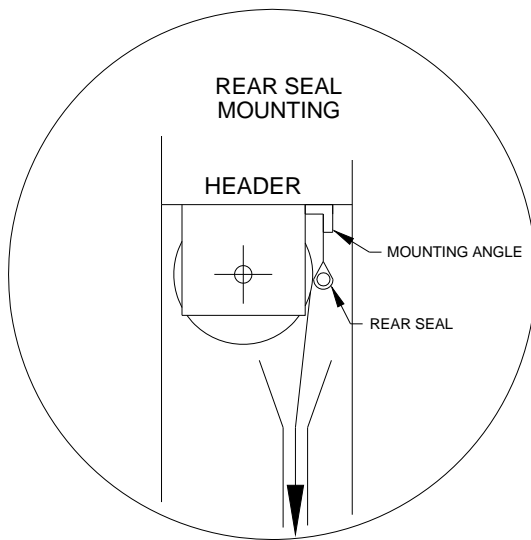


DuraShield Installation Manual

Springload – In Jamb – Da-lite Springtube

7. Installation of Rear Seal -

Install the Rear seal by attaching it to the bottom of the header on the rear of the roll as shown. (fasteners not included) Be sure that the seal mounts so that it contacts the curtain when in the fully closed position.



View looking end of the Seal

8. Final Assembly -

Go back and recheck all fasteners on the door assembly for tightness

Confirm correct opening and closing positions as well as spring tension

Confirm curtain to guide track clearances per section 6. Be sure that guide tracks are clean and grease free inside and out.

Make sure end user is familiar with operation and has all manuals

DuraShield Installation Manual

Springload – In Jamb – Da-lite Springtube