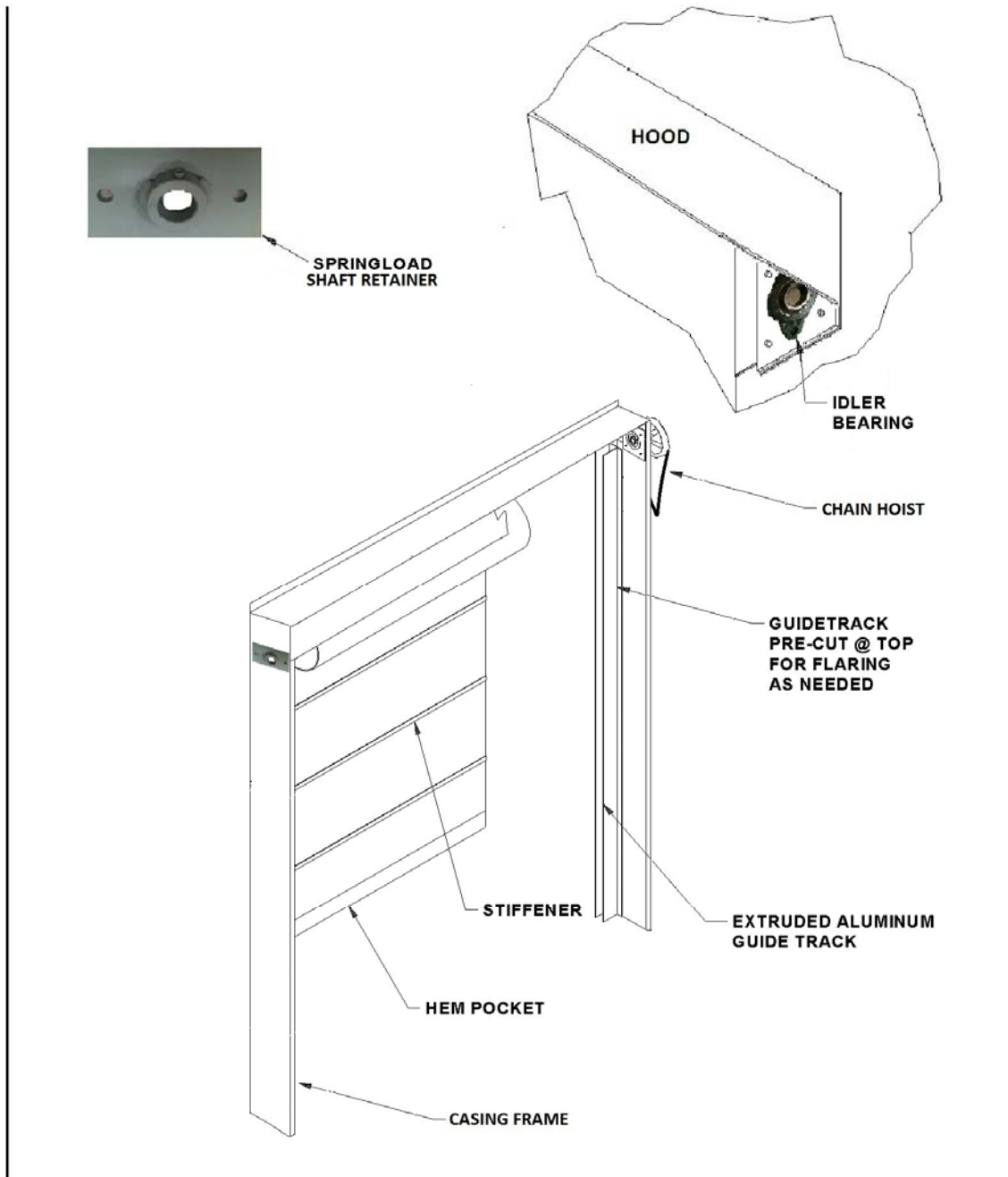


DuraShield Installation Manual

Chain Hoist – Casing – 5 inch Spring

CHAIN HOIST - CASING GENERAL MOUNTING DIAGRAM



DuraShield Installation Manual

Chain Hoist – Casing – 5 inch Spring

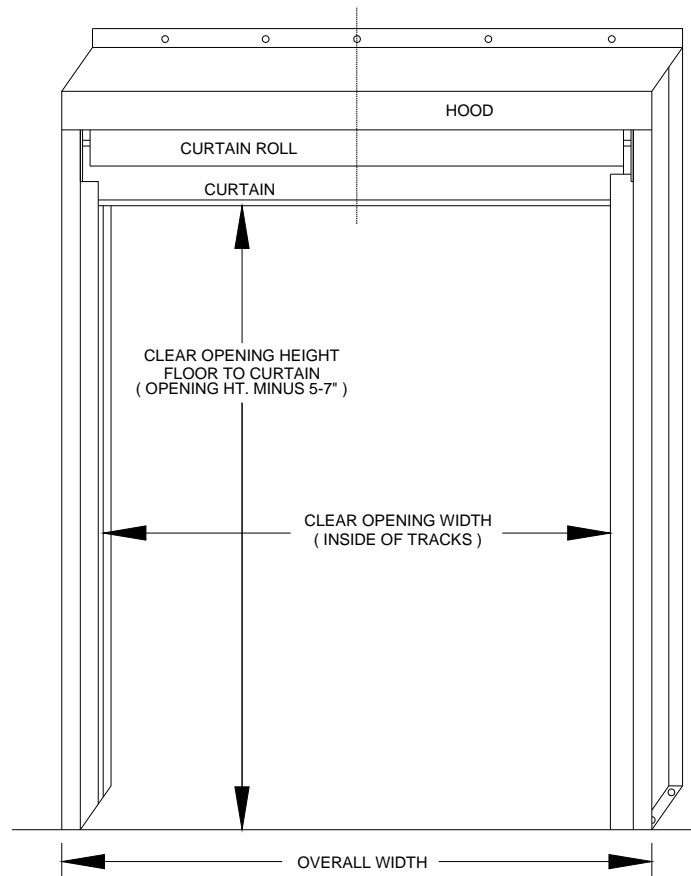
1. Wall preparation – refer to following drawing

Note and understand the clear opening width and height dimensions of the purchased door before proceeding with the installation.

The Casing Top Header and uprights must be securely mounted to a smooth surface.

The door, of course, needs to be mounted so that the head and roll are level and square. The guide tracks must also be square and level in relation to the header, the wall and each other.

Failure to properly secure, level and square the door components during installation may result in premature wear and failure of components which will not be covered by manufacturer warranty.



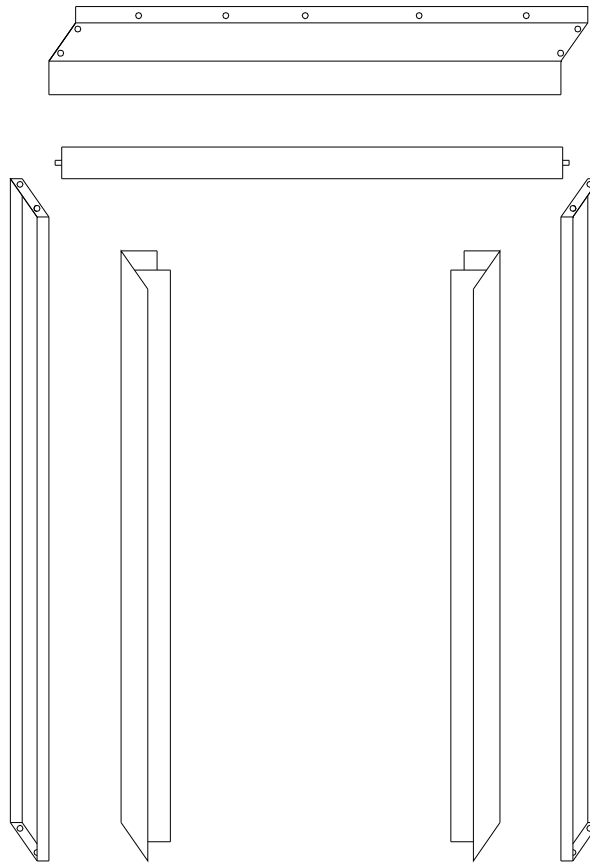
Door dimension drawing

DuraShield Installation Manual

Chain Hoist – Casing – 5 inch Spring

2. Casing Assembly

The Casing arrives in three parts, (refer to section 1), the left and right side casings and the hood. The Casing and the Curtain Roll should be assembled on the floor and then stood up, centered, and secured into the opening. Fasteners for assembly of the casing are supplied. Fasteners to secure the assembled casing to the wall and floor are supplied by the installer. Referring to the door size and following drawings, locate and mount the Springload Shaft Retainer and Idler Bearing using supplied fasteners for the Casing jamb surface. The Springload Shaft Retainer and Idler Bearing mounting holes are in the casing uprights. Handing of the door will determine by the location of these items. The curtain ALWAYS rolls down off the back side of the roll.



DuraShield Installation Manual

Chain Hoist – Casing – 5 inch Spring

3. Roll Installation

Be sure the curtain is coming off of the back of the roll. If not already installed, install the Springload Shaft Retainer and Idler Bearing to the left and right casings. The Idler Bearing goes on the Chain Hoist side Casing. While assembling the Casings and Hood insert the shaft end to extend through the Idler Bearing. Insert the Counterbalance Spring end of the roll into the Springload Shaft Retainer. Locate so that the keyway is up and tighten the set screw onto the shaft.



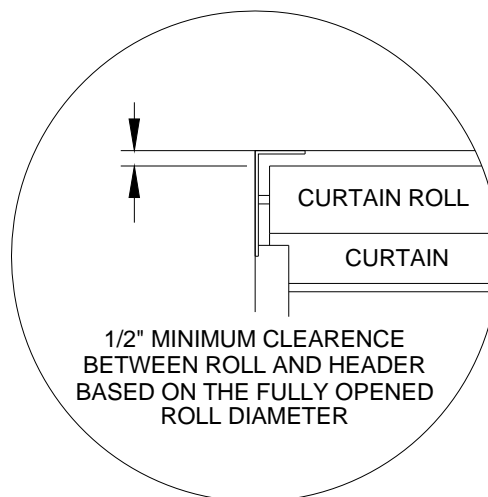
Springload Shaft Retainer, left side mount



Idler Bearing, right side mount

NOTE: Both brackets shown mount to the Casing Jambs. Right hand shown

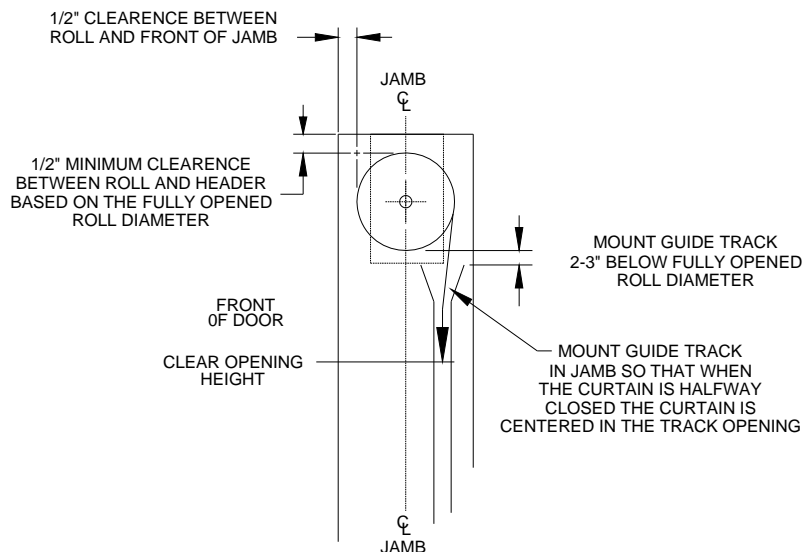
DO NOT UNTIE THE ROLLOVER STRAPS YET!



Once the Curtain Roll is mounted insure the dimension as shown

DuraShield Installation Manual

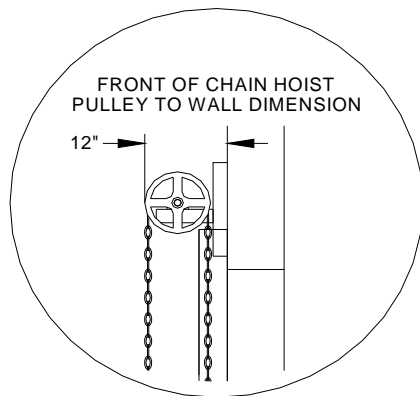
Chain Hoist – Casing – 5 inch Spring



General layout showing dimensions as mounted in the Casing

4. Chain Hoist Installation

Install the set collar, chain guard, keyed chain hoist wheel and second set collar onto the extended shaft. Tighten the set screws securely. Install the chain around the wheel. Chain can be cut to desired length and a coupling chain link is provided. Once the casing is installed and secured install the wall mount chain stop at a convenient height.



Chain hoist showing Chain Stop and Stop block installed

DuraShield Installation Manual

Chain Hoist – Casing – 5 inch Spring

5. Installation of Guide Tracks - refer to Door Dimension Drawings on pages 2 and 3

Measure the Guide Tracks provided as they may need to be cut on site during installation. The top of the guide tracks should be 2 inches minimum to 3 inches maximum from the fully opened curtain roll.

The Guide Tracks are slotted on one end. This is the top. The side of the Guide Track should be flat against the Casing Jamb surface and securely mounted. Of course the Guide tracks must be mounted plumb and level to the Header and Curtain.

The slotted tabs on the top of the track are bent outward at an angle. Bend the front and rear to form a “Y” shape. See drawings below. Remove plastic curtain retainers from the roll and insert the end of the curtain into the track.



Guide Track Mounting
Inside of door jamb



Top Track Adjustment
for curtain entrance

DuraShield Installation Manual

Chain Hoist – Casing – 5 inch Spring

6. Setting Counterbalance Spring tension and door position

Curtain straps or ties must be put in place if needed to tension the spring.



Rollover Straps tied around roll

Using the chain hoist, roll the tube as though closing the door for 2-3 revolutions of the roll. With the door in the open position latch the hoist chain to the chain stop.

Install the Stop Block mechanism on the chain as shown on page 5. Position it so that the door will not roll up higher than the Clear Opening Height. Leave the curtain in the fully opened position.

Remove the curtain straps. Operate the door closed and opened several times to allow the curtain to seat itself on the roll tube.

When closing note that closing too far will allow excess material to gather on the floor and may cause premature wear on the material on the bottom of the curtain. Close the door and latch the hoist chain to the chain stop.

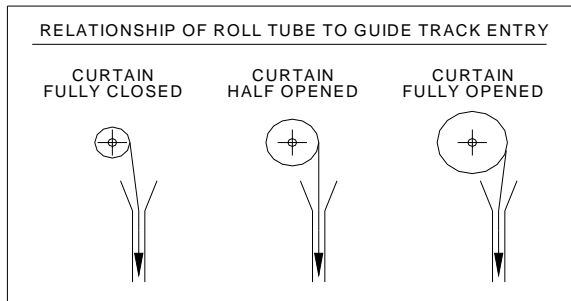
If the spring tension needs adjustment now or at any point after this the curtain must be rolled up and the curtain straps reinstalled. Then the spring tension can be adjusted as was previously done.

DuraShield Installation Manual

Chain Hoist – Casing – 5 inch Spring

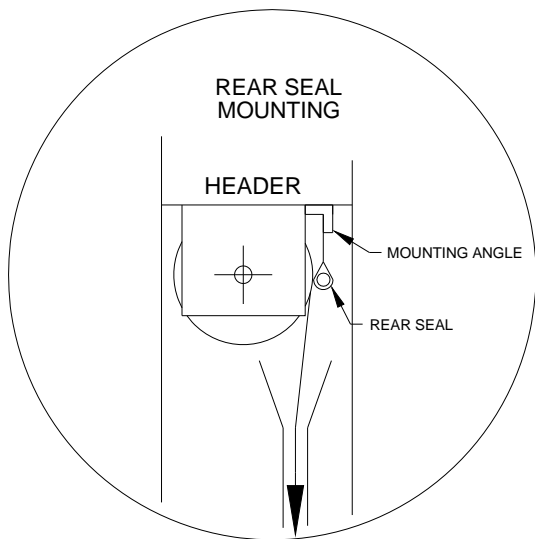
7. Confirm adjustment of roll clearance in Guide Tracks -

Be sure that both ends of the roll maintain proper entry of the curtain into the Guide Tracks at the curtain positions as shown below and to the minimum dimension shown on page 3.



8. Installation of Rear Seal -

Install the Rear seal by attaching it to the bottom of the header on the rear of the roll as shown. (fasteners not included) Be sure that the seal mounts so that it contacts the curtain when in the fully closed position.



View looking end of the Seal

DuraShield Installation Manual

Chain Hoist – Casing – 5 inch Spring

9. Final Assembly -

Go back and recheck all fasteners on the door assembly for tightness

Confirm correct opening and closing positions as well as spring tension

Confirm curtain to guide track clearances per section 7. Be sure that guide tracks are clean and grease free inside and out.

Make sure end user is familiar with operation and has all manuals

DuraShield Installation Manual

Chain Hoist – Casing – 5 inch Spring