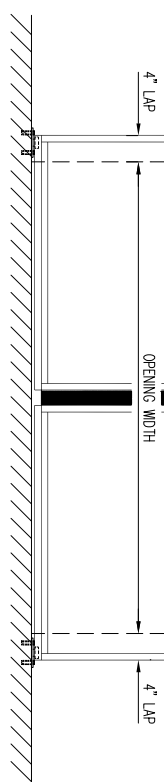


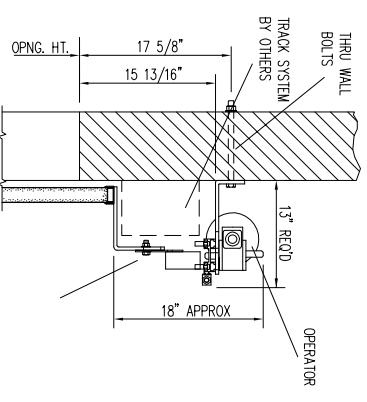
- NOTES**
- (1) CONTROL BOX MAY BE LOCATED AT EYE LEVEL FOR ACCESSIBILITY.
 - (2) FIXED DRIVE BAR FURNISHED FOR F1900-PLC OPERATORS.
 - (3) MECHANICAL DISCONNECT FURNISHED FOR 1900-PLC OPERATORS.

**ELEVATION
CENTER PARTING DOOR**

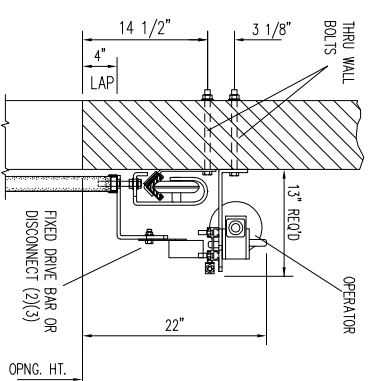


 CENTER PARTING
 SLIDE PLAN

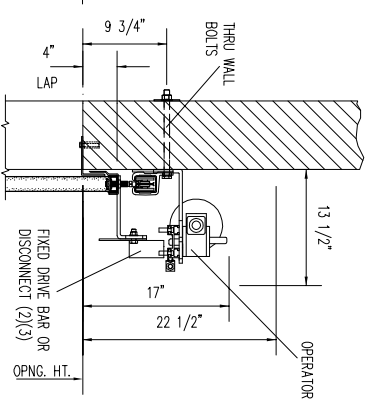
ELECTRIC AUTOMATION KITS
 ETL LABELED KITS - SAINO MODEL F1900-PLC
 with Battery Backup Closing System
 SERVICE DOOR KITS - SAINO MODEL 1900-PLC



**HEAD SECTION 'C'
DOOR AND HDWE. BY OTHERS**



**HEAD SECTION 'A'
V-TRACK**



**HEAD SECTION 'B'
BOX TRACK**

TAG MARK	DOOR TYPE	OPENING		SLIDE PLAN	WALL THICKNESS	CLOSER / OPERATOR	NEMA	BATTERY BACKUP	REMARKS
		WIDTH	HEIGHT						



Tel: (800) 543-4455
 www.chasedoors.com
 FAX: (800) 978-6570

JOB	CUSTOMER NO:	N.O. PRINTS	FOR	DATE	REVISED
SOLD TO	CHASE ORDER NO:				
	DRAWN BY:				
	SHEET ____ OF ____				