

SSW

INFITTING SINGLE SWING DOOR, FOUR SIDED FRAME

DOOR STYLE:

INFITTING W/ FRAME

DOOR FRAME TYPE:FOUR SIDED FLAT FRAME FOUR SIDED FLAT FRAME W/ THRU WALL FRAME
MIRROR IMAGE FOUR SIDED FRAME**OPENING SIZE:**FINISHED OPENING WIDTH (W.I.C.):
FINISHED OPENING HEIGHT (H.I.C.):
WALL THICKNESS:**OPENING METHOD:**

HINGED ON LEFT HINGED ON RIGHT

APPLICATION:COOLER FREEZER 4" THICK 6" THICK
(FREEZER DOORS COME STANDARD WITH HEATED FRAME AND BOTTOM BAR HEAT)**ENTER ROOM TEMPERATURES:**TEMPERATURE WALL SIDE: F (PLEASE PROVIDE)
TEMPERATURE HINGE SIDE: F (PLEASE PROVIDE)**CLADDING - HINGE SIDE:**EMBOSSSED WHITE GALVANIZED. SMOOTH WHITE GALVANIZED
EMBOSSSED BLACK GALVANIZED SMOOTH GALVALUME
EMBOSSSED GALVALUME SMOOTH WHITE ALUMINUM
EMBOSSSED WHITE ALUMINUM STAINLESS STEEL, #4 FINISH
EMBOSSSED MILL ALUMINUM
CUSTOM**CLADDING - WALL SIDE:**EMBOSSSED WHITE GALVANIZED. SMOOTH WHITE GALVANIZED
EMBOSSSED BLACK GALVANIZED SMOOTH GALVALUME
EMBOSSSED GALVALUME SMOOTH WHITE ALUMINUM
EMBOSSSED WHITE ALUMINUM STAINLESS STEEL, #4 FINISH
EMBOSSSED MILL ALUMINUM
CUSTOM**LATCH:**STANDARD W/ KEY LOCK (ALSO ACCEPTS PADLOCK)
STAINLESS
STAINLESS W/ KEY LOCK

STANDARD INSIDE RELEASE RECESSED INSIDE RELEASE

PUSH BAR WITH LATCH PANIC WITHOUT LATCH

HINGES:1245 STANDARD
STAINLESS STEEL HINGES
CUSTOM:KASONIZED STRAP HINGES
FURNISH EXTRA HINGE**DOOR CLOSER:**NONE (STD)
OFFSET, STANDARD DUTYSPRING HINGE
HEAVY DUTY**VISION WINDOW:**

HEATED NON-HEATED 14" x 14" 14" x 24"

KICK PLATE - HINGE SIDE:1/16" DIAMOND PLATE 1/8" DIAMOND PLATE STAINLESS STEEL
12" TALL 24" TALL 36" TALL 48" TALL Other:**KICK PLATE - WALL SIDE:**1/16" DIAMOND PLATE 1/8" DIAMOND PLATE STAINLESS STEEL
12" TALL 24" TALL 36" TALL 48" TALL Other:**THRESHOLD:**HEATED NON-HEATED
6 3/4" ALUMINUM 6 3/4" STAINLESS STEEL
9 1/2" ALUMINUM 9 1/2" STAINLESS STEEL**ADDITIONAL OPTIONS:**JAMB WALL CAPS JAMB WALL CAPS WITH INSERTS
OUTER WIDTH: OUTER HEIGHT: INSET:
METAL WRAPPED FRP FRAME
METAL WRAPPED THRU WALL FRAME
METAL WRAPPED MIRROR IMAGE FRAME
HEAT IN DOOR PANEL (RECOMMENDED FOR FREEZERS COLDER THAN -20 DEG. F.)
LIGHT SWITCH
THERMOMETER**CUT DOWN:**

LEFT JAMB RIGHT JAMB HEADER FOOTER

SPECIAL INSTRUCTIONS TO MANUFACTURER:Tel: (800) 543-4455 FAX: (800) 978-6570
www.coldstoragedoorsonline.com

JOB

CUSTOMER NO:

NO. PRINTS

FOR

DATE

REVISED

CHASE ORDER NO:

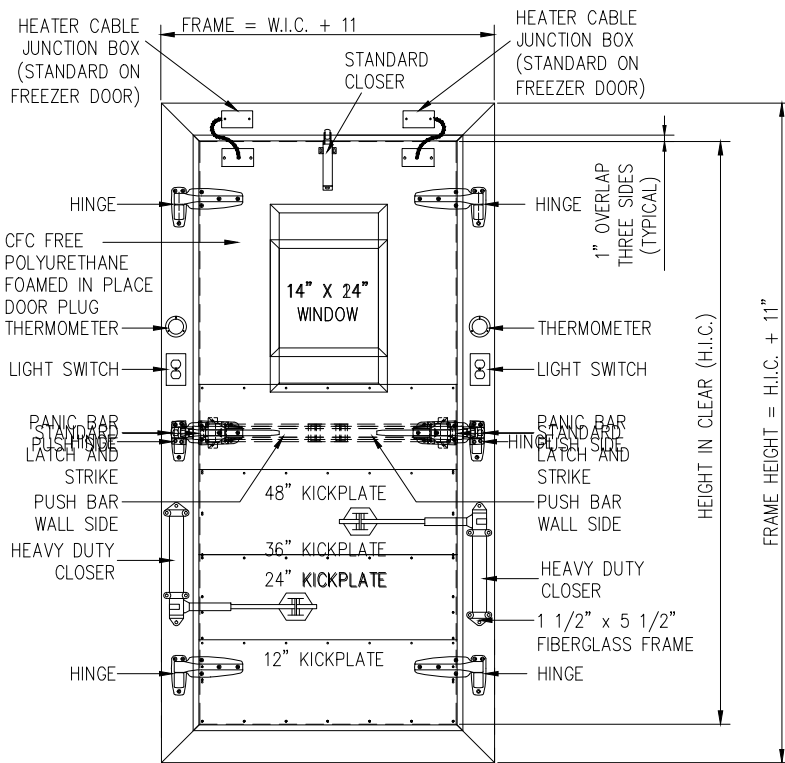
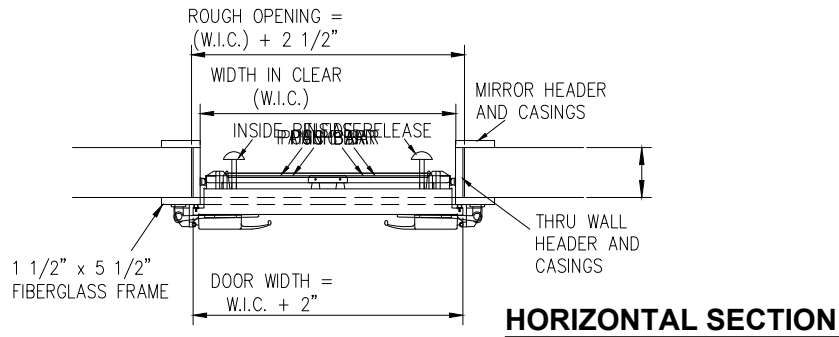
DRAWN BY:

SOLD TO

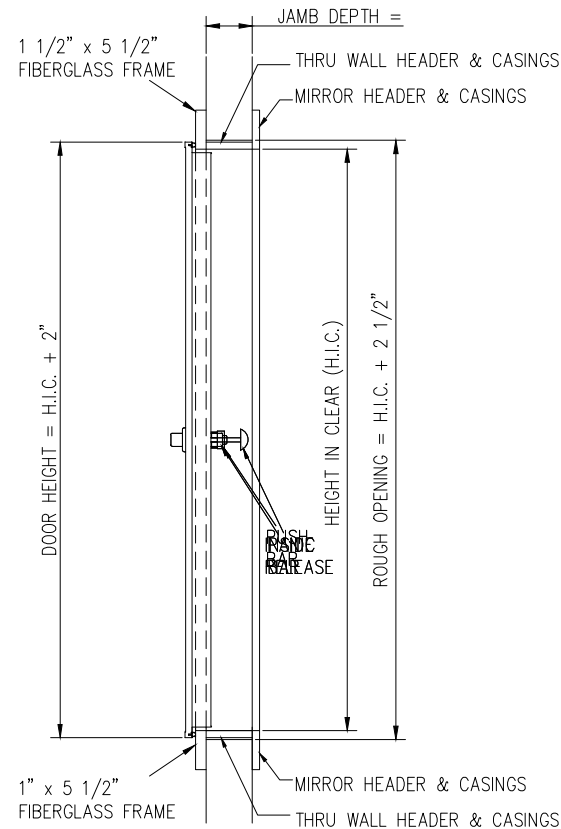
SHEET OF

SSW

INFITTING SINGLE SWING DOOR, FOUR SIDED FRAME



FRONT ELEVATION



SIDE VIEW SECTION



Chase Doors

Tel: (800) 543-4455

FAX: (800) 978-6570

www.coldstoragedoorsonline.com

JOB	CUSTOMER NO:		NO. PRINTS	FOR	DATE	REVISED
	CHASE ORDER NO:					
SOLD TO	DRAWN BY:					
	SHEET	OF				