

**DOOR STYLE:**

INFITTING W/ FRAME

**DOOR FRAME TYPE:**THREE SIDED FLAT FRAME                      THREE SIDED FLAT FRAME W/ THRU WALL  
MIRROR IMAGE FRAME**OPENING SIZE:**FINISHED OPENING WIDTH (W.I.C.):  
FINISHED OPENING HEIGHT (H.I.C.):                      WALL THICKNESS:

FLOOR/RAMP HEIGHT - EXTERNAL:                      INTERNAL:

**OPENING METHOD:**

HINGED ON LEFT                      HINGED ON RIGHT

**APPLICATION:**COOLER                      FREEZER                      4" THICK                      6" THICK  
(FREEZER DOORS COME STANDARD WITH HEATED FRAME AND BOTTOM BAR HEAT)**ENTER ROOM TEMPERATURES:**TEMPERATURE WALL SIDE:                      F (PLEASE PROVIDE)  
TEMPERATURE HINGE SIDE:                      F (PLEASE PROVIDE)**CLADDING - HINGE SIDE:**EMBOSSSED WHITE GALVANIZED.                      SMOOTH WHITE GALVANIZED  
EMBOSSSED BLACK GALVANIZED                      SMOOTH GALVALUME  
EMBOSSSED GALVALUME                      SMOOTH WHITE ALUMINUM  
EMBOSSSED WHITE ALUMINUM                      STAINLESS STEEL, #4 FINISH  
EMBOSSSED MILL ALUMINUM  
CUSTOM**CLADDING - WALL SIDE:**EMBOSSSED WHITE GALVANIZED.                      SMOOTH WHITE GALVANIZED  
EMBOSSSED BLACK GALVANIZED                      SMOOTH GALVALUME  
EMBOSSSED GALVALUME                      SMOOTH WHITE ALUMINUM  
EMBOSSSED WHITE ALUMINUM                      STAINLESS STEEL, #4 FINISH  
EMBOSSSED MILL ALUMINUM  
CUSTOM**LATCH:**STANDARD W/ KEY LOCK (ALSO ACCEPTS PADLOCK)  
STAINLESS  
STAINLESS W/ KEY LOCK

STANDARD INSIDE RELEASE                      RECESSED INSIDE RELEASE

PUSH BAR WITH LATCH                      PANIC WITHOUT LATCH

**HINGES:**1245 STANDARD                      KASONIZED STRAP HINGES  
STAINLESS STEEL HINGES                      FURNISH EXTRA HINGE  
CUSTOM:**DOOR CLOSER:**NONE (STD)                      SPRING HINGE  
OFFSET, STANDARD DUTY                      HEAVY DUTY**VISION WINDOW:**

HEATED                      NON-HEATED                      14" x 14"                      14" x 24"

**KICK PLATE - HINGE SIDE:**1/16" DIAMOND PLATE                      1/8" DIAMOND PLATE                      STAINLESS STEEL  
12" TALL                      24" TALL                      36" TALL                      48" TALL                      Other:**KICK PLATE - WALL SIDE:**1/16" DIAMOND PLATE                      1/8" DIAMOND PLATE                      STAINLESS STEEL  
12" TALL                      24" TALL                      36" TALL                      48" TALL                      Other:**THRESHOLD:**HEATED                      NON-HEATED  
6 3/4" ALUMINUM                      6 3/4" STAINLESS STEEL  
9 1/2" ALUMINUM                      9 1/2" STAINLESS STEEL**ADDITIONAL OPTIONS:**JAMB WALL CAPS                      JAMB WALL CAPS WITH INSERTS  
OUTER WIDTH:                      OUTER HEIGHT:                      INSET:  
METAL WRAPPED FRP FRAME  
METAL WRAPPED THRU WALL FRAME  
METAL WRAPPED MIRROR IMAGE FRAME  
HEAT IN DOOR PANEL (RECOMMENDED FOR FREEZERS COLDER THAN -20 DEG. F.)  
LIGHT SWITCH  
THERMOMETER**CUT DOWN:**

LEFT JAMB                      RIGHT JAMB                      HEADER

**SPECIAL INSTRUCTIONS TO MANUFACTURER:**Tel: (800) 543-4455                      FAX: (800) 978-6570  
www.coldstoragedoorsonline.com

JOB

CUSTOMER NO:

NO. PRINTS

FOR

DATE

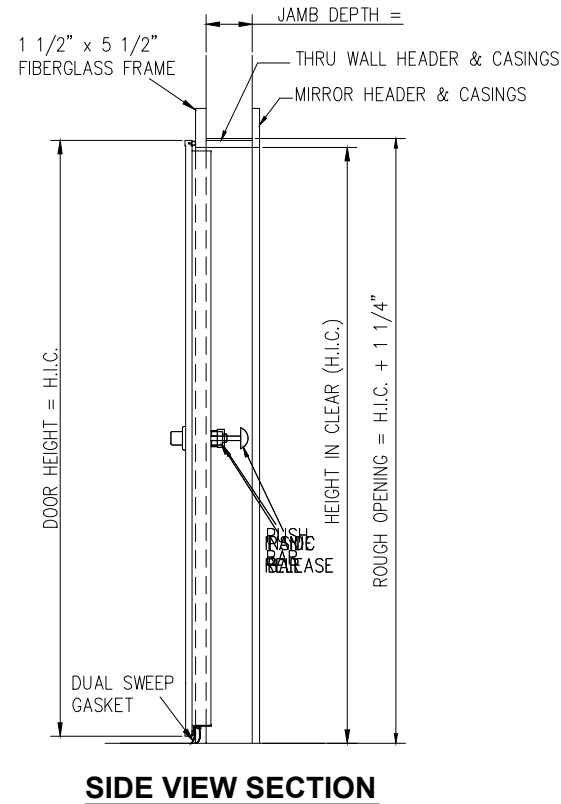
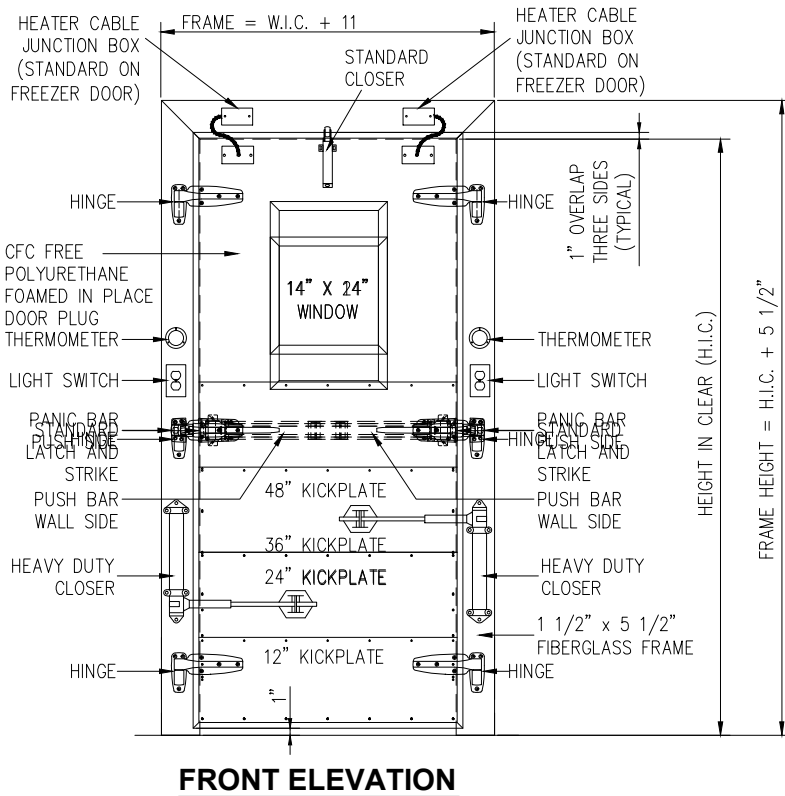
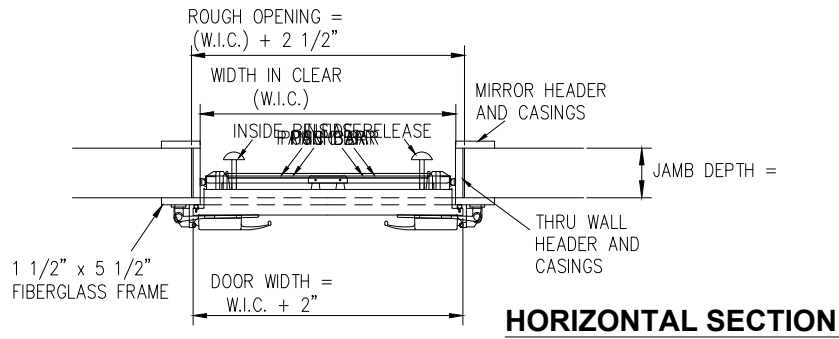
REVISED

CHASE ORDER NO:

DRAWN BY:

SOLD TO

SHEET                      OF



**Chase Doors**

Tel: (800) 543-4455

FAX: (800) 978-6570

www.coldstoragedoorsonline.com

JOB		CUSTOMER NO:		NO. PRINTS	FOR	DATE	REVISED
		CHASE ORDER NO:					
SOLD TO		DRAWN BY:					
		SHEET	OF				