

**DOOR STYLE:**

INFITTING W/ FRAME

**DOOR FRAME TYPE:**

FOUR SIDED FLAT FRAME      FOUR SIDED FLAT FRAME W/ THRU WALL  
MIRROR IMAGE FOUR SIDED FRAME

**OPENING SIZE:**

FINISHED OPENING WIDTH (W.I.C.):  
FINISHED OPENING HEIGHT (H.I.C.):      WALL THICKNESS:

**STATIONARY DOOR LOCATIONS:**

ON LEFT      ON RIGHT (STD)

**APPLICATION:**

COOLER      FREEZER      4" THICK      6" THICK  
(FREEZER DOORS COME STANDARD WITH HEATED FRAME AND BOTTOM BAR HEAT)

**ENTER ROOM TEMPERATURES:**

TEMPERATURE WALL SIDE:      F (PLEASE PROVIDE)  
TEMPERATURE HINGE SIDE:      F (PLEASE PROVIDE)

**CLADDING - HINGE SIDE:**

EMBOSSD WHITE GALVANIZED.	SMOOTH WHITE GALVANIZED
EMBOSSD BLACK GALVANIZED	SMOOTH GALVALUME
EMBOSSD GALVALUME	SMOOTH WHITE ALUMINUM
EMBOSSD WHITE ALUMINUM	STAINLESS STEEL, #4 FINISH
EMBOSSD MILL ALUMINUM	
CUSTOM	

**CLADDING - WALL SIDE:**

EMBOSSD WHITE GALVANIZED.	SMOOTH WHITE GALVANIZED
EMBOSSD BLACK GALVANIZED	SMOOTH GALVALUME
EMBOSSD GALVALUME	SMOOTH WHITE ALUMINUM
EMBOSSD WHITE ALUMINUM	STAINLESS STEEL, #4 FINISH
EMBOSSD MILL ALUMINUM	
CUSTOM	

**LATCH:**

STANDARD W/ KEY LOCK (ALSO ACCEPTS PADLOCK)  
STAINLESS  
STAINLESS W/ KEY LOCK

STANDARD INSIDE RELEASE      RECESSED INSIDE RELEASE

PUSH BAR WITH LATCH      PANIC WITHOUT LATCH

**HINGES:**

1245 STANDARD	KASONIZED STRAP HINGES
STAINLESS STEEL HINGES	FURNISH EXTRA HINGE
CUSTOM:	

**DOOR CLOSER:**

NONE (STD)	SPRING HINGE
OFFSET, STANDARD DUTY	HEAVY DUTY

**VISION WINDOW:**

HEATED	NON-HEATED	14" x 14"	14" x 24"
--------	------------	-----------	-----------

**KICK PLATE - HINGE SIDE:**

1/16" DIAMOND PLATE	1/8" DIAMOND PLATE	STAINLESS STEEL
12" TALL	24" TALL	36" TALL      48" TALL      Other:

**KICK PLATE - WALL SIDE:**

1/16" DIAMOND PLATE	1/8" DIAMOND PLATE	STAINLESS STEEL
12" TALL	24" TALL	36" TALL      48" TALL      Other:

**THRESHOLD:**

HEATED	NON-HEATED
6 3/4" ALUMINUM	6 3/4" STAINLESS STEEL
9 1/2" ALUMINUM	9 1/2" STAINLESS STEEL

**ADDITIONAL OPTIONS:**

JAMB WALL CAPS	JAMB WALL CAPS WITH INSERTS
OUTER WIDTH:	OUTER HEIGHT:      INSET:
METAL WRAPPED FRP FRAME	
METAL WRAPPED THRU WALL FRAME	
METAL WRAPPED MIRROR IMAGE FRAME	
HEAT IN DOOR PANEL (RECOMMENDED FOR FREEZERS COLDER THAN -20 DEG. F.)	
LIGHT SWITCH	
THERMOMETER	

**CUT DOWN:**

LEFT JAMB	RIGHT JAMB	HEADER	FOOTER
-----------	------------	--------	--------

**SPECIAL INSTRUCTIONS TO MANUFACTURER:**

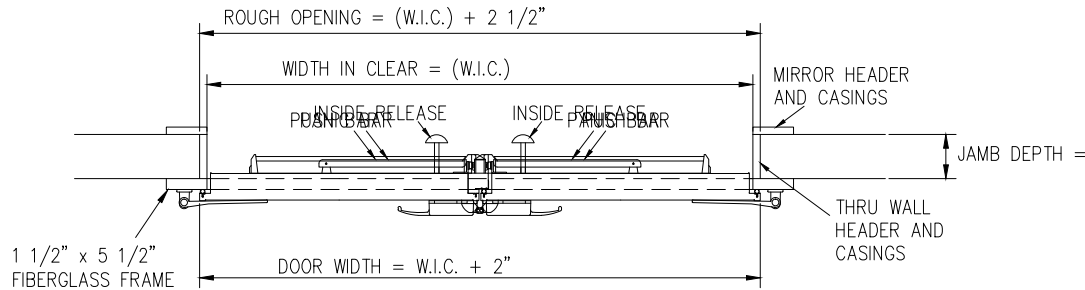


Chase Doors

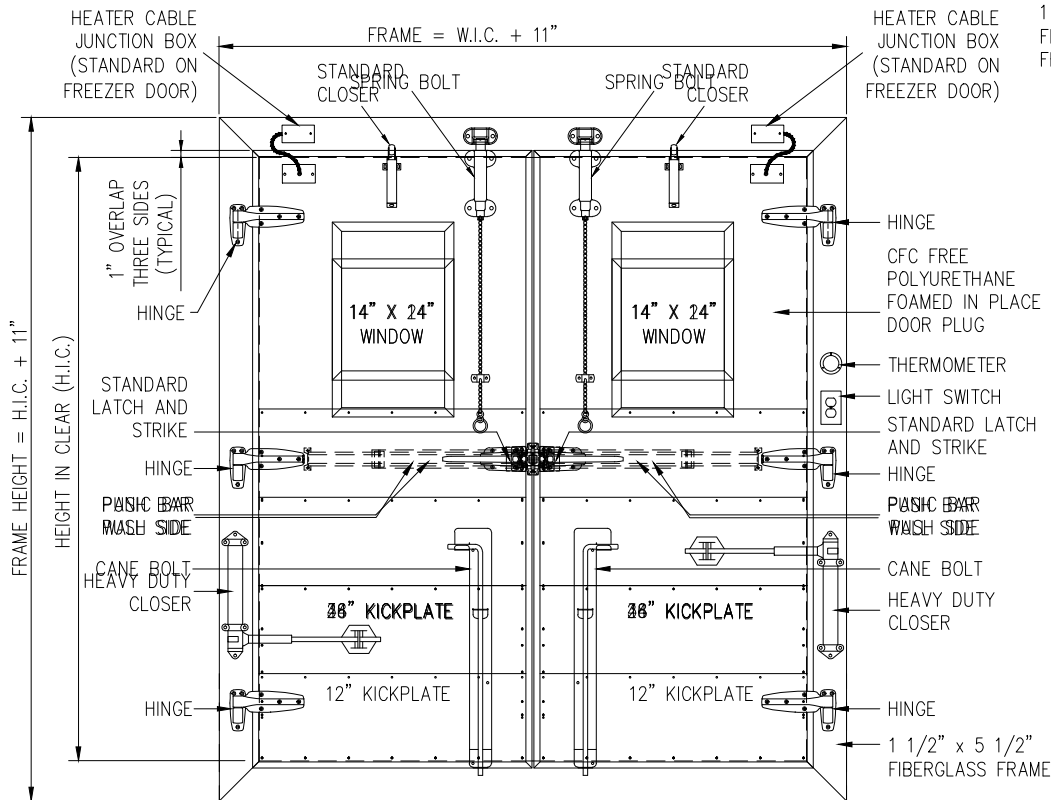
Tel: (800) 543-4455      FAX: (800) 978-6570  
www.coldstoragedoorsonline.com

JOB	CUSTOMER NO:	NO. PRINTS	FOR	DATE	REVISED
	CHASE ORDER NO:				
SOLD TO	DRAWN BY:				
	SHEET OF				

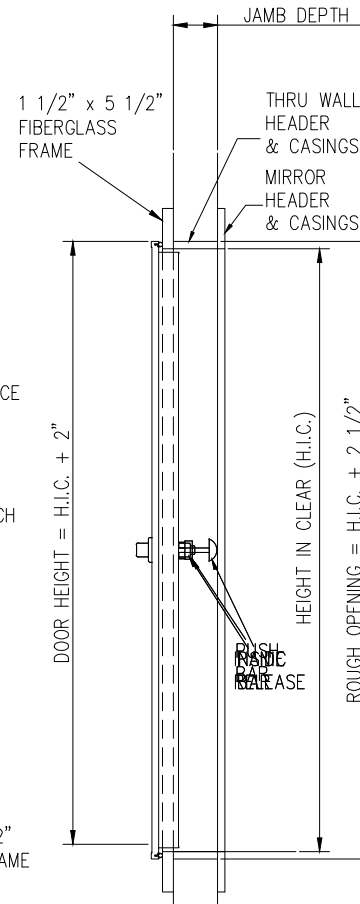
# INFITTING DOUBLE SWING DOOR, FOUR SIDED FRAME



**HORIZONTAL SECTION**



**FRONT ELEVATION**



**SIDE VIEW SECTION**



**Chase Doors**

Tel: (800) 543-4455

FAX: (800) 978-6570

www.coldstoragedoorsonline.com

JOB	CUSTOMER NO:	NO. PRINTS	FOR	DATE	REVISED
	CHASE ORDER NO:				
SOLD TO	DRAWN BY:				
	SHEET	OF			